

# MC68302

## Addendum to MC68302 Integrated Multiprotocol Processor User Manual

July 19, 2000

This addendum to the initial release of the [MX68302UM/AD](#) User's Manual and provides information of 3.3v operation not included in the original document.

### 6.0 ELECTRICAL CHARACTERISTICS

The AC specifications presented consist of output delays, input setup and hold times, and signal skew times. All signals are specified relative to an appropriate edge of the clock (CLKO pin) and possibly to one or more other signals.

#### 6.1 MAXIMUM RATINGS

Rating	Symbol	Value	Unit
Supply Voltage	$V_{DD}$	- 0.3 to + 7.0	V
Input Voltage	$V_{in}$	- 0.3 to + 7.0	V
Operating Temperature Range MC68302 MC68302C	$T_A$	0 to 70 - 40 to 85	°C
Storage Temperature Range	$T_{stg}$	- 55 to + 150	°C

This device contains circuitry to protect the inputs against damage due to high static voltages or electric fields; however, it is advised that normal precautions be taken to avoid application of any voltage higher than maximum-rated voltages to his high-impedance circuit. Reliability of operation is enhanced if unused inputs are tied to an appropriate logic voltage level (e.g., either GND or  $V_{DD}$ )

#### 6.2 THERMAL CHARACTERISTICS

Characteristic	Symbol	Value	Unit
Thermal Resistance for PGA	$\theta_{JA}$	25	°C/W
	$\theta_{JC}$	2	°C/W
Thermal Resistance for CQFP	$\theta_{JA}$	40	°C/W
	$\theta_{JC}$	15	°C/W
Thermal Resistance for PQFP	$\theta_{JA}$	42	°C/W
	$\theta_{JC}$	20	°C/W



This document contains information on a product under development. Freescale reserves the right to change or discontinue this product without notice.

$$T_J = T_A + (P_D \cdot \theta_{JA})$$

$$P_D = (V_{DD} \cdot I_{DD}) + P_{I/O}$$

where:

$P_{I/O}$  is the power dissipation on pins.

For  $T_A = 70^\circ\text{C}$  and  $P_{I/O} = 0\text{ W}$ , 16.67 MHz, 3.6 V, and CQFP package, the worst case value of  $T_J$  is:

$$T_J = 70^\circ\text{C} + (3.6\text{V} \cdot 25\text{mA} \cdot 40^\circ\text{C/W}) = 73.6^\circ\text{C}$$

### 6.3 POWER CONSIDERATIONS

The average chip-junction temperature,  $T_J$ , in  $^\circ\text{C}$  can be obtained from:

$$T_J = T_A + (P_D \cdot \theta_{JA})(1)$$

where:

- $T_A$  = Ambient Temperature,  $^\circ\text{C}$
- $\theta_{JA}$  = Package Thermal Resistance, Junction to Ambient,  $^\circ\text{C/W}$
- $P_D$  =  $P_{INT} + P_{I/O}$
- $P_{INT}$  =  $I_{DD} \times V_{DD}$ , Watts—Chip Internal Power
- $P_{I/O}$  = Power Dissipation on Input and Output Pins—User Determined

For most applications  $P_{I/O} < 0.3 \cdot P_{INT}$  and can be neglected.

If  $P_{I/O}$  is neglected, an approximate relationship between  $P_D$  and  $T_J$  is

$$P_D = K \div (T_J + 273^\circ\text{C})(2)$$

Solving equations (1) and (2) for K gives:

$$K = P_D \cdot (T_A + 273^\circ\text{C}) + \theta_{JA} \cdot P_D^2(3)$$

where K is a constant pertaining to the particular part. K can be determined from equation (3) by measuring  $P_D$  (at equilibrium) for a known  $T_A$ . Using this value of K, the values of  $P_D$  and  $T_J$  can be obtained by solving equations (1) and (2) iteratively for any value of  $T_A$ .

### 6.4 POWER DISSIPATION

Characteristic	Symbol	Typ	Max	Unit
Power Dissipation at 3.3V 16.67 MHz-Rev C.65 $\mu$ (see Note 2)	PD	25	50	mA

NOTES:

2. The IMP is tested with the M68000 core executing, all three baud rate generators enabled and clocking at a rate of 64 kHz, and the two general-purpose timers running with a prescaler of 256. Power measurements are not significantly impacted by baud rate generators or timers until their clocking frequency becomes a much more sizable fraction of the system frequency than in these test conditions.

## 6.5 DC ELECTRICAL CHARACTERISTICS

Characteristic	Symbol	Min	Max	Unit
Input High Voltage (Except EXTAL)	$V_{IH}$	2.0	$V_{DD}$	V
Input Low Voltage (Except EXTAL)	$V_{IL}$	$V_{SS} - 0.3$	0.8	V
Input High Voltage (EXTAL)	$V_{CIH}$	$V_{DD} * 0.8$	$V_{DD}$	V
Input Low Voltage (EXTAL)	$V_{CIL}$	$V_{SS} - 0.3$	0.6	V
Input Leakage Current	$I_{IN}$	—	20	$\mu A$
Input Capacitance All Pins	$C_{IN}$	—	15	pF
Three-State Leakage Current (2.4/0.5 V)	$I_{TSI}$	—	20	$\mu A$
Open Drain Leakage Current (2.4 V)	$I_{OD}$	—	20	$\mu A$
Output High Voltage ( $I_{OH} = 400 \mu A$ ) (see Note)	$V_{OH}$	2.4	—	V
Output Low Voltage ( $I_{OL} = 3.2 \text{ mA}$ ) A1–A23, PB0–PB11, FC0–FC2, $\overline{CS0}$ – $\overline{CS3}$ $\overline{IAC}$ , $\overline{AVEC}$ , $\overline{BG}$ , RCLK1, RCLK2, RCLK3, TCLK1, TCLK2, TCLK3, RTS1, RTS2, RTS3, SDS2, PA12, RXD2, RXD3, CTS2, CD2, CD3 DREQ, BRG1 ( $I_{OL} = 5.3 \text{ mA}$ ) AS, UDS, $\overline{LDS}$ , R/W, $\overline{BERR}$ $\overline{BGACK}$ , $\overline{BCLR}$ , $\overline{DTACK}$ , $\overline{DACK}$ , $\overline{RMC}$ , D0–D15, $\overline{RESET}$ ( $I_{OL} = 7.0 \text{ mA}$ ) TXD1, TXD2, TXD3 ( $I_{OL} = 8.9 \text{ mA}$ ) $\overline{DONE}$ , $\overline{HALT}$ , $\overline{BR}$ (as output) ( $I_{OL} = 3.2 \text{ mA}$ ) CLKO	$V_{OL}$	—	0.5	V
Output Drive CLKO	$O_{CLK}$	—	50	pF
Output Drive ISDN I/F (GCI Mode)	$O_{GCI}$	—	150	pF
Output Drive All Other Pins	$O_{ALL}$	—	130	pF
Output Drive Derating Factor for CLKO of 0.030 ns/pF	$O_{KF}$	20	50	pF
Output Drive Derating Factor for CLKO of 0.035 ns/pF	$O_{KF}$	50	130	pF
Output Drive Derating Factor for All Other Pins 0.035 ns/pF	$O_{KF}$	20	130	pF
Output Drive Derating Factor for All Other Pins 0.055 ns/pF	$O_{KF}$	130	220	pF
Power	$V_{DD}$	3.0	3.6	V
Common	$V_{SS}$	0	0	V

NOTE: The maximum  $I_{OH}$  for a given pin is one-half the  $I_{OL}$  rating for that pin. For an  $I_{OH}$  between 400  $\mu A$  and  $I_{OL}/2$  mA, the minimum  $V_{OH}$  is calculated as:  $V_{DD} - (1 + 0.05 \text{ V/mA})(I_{OH} - 400 \text{ mA})$ .

NOTE: All AC specs are assume an output load of 130pf (except for CLKO).

### 6.6 DC ELECTRICAL CHARACTERISTICS—NMS11 IN IDL MODE

Characteristic	Symbol	Min	Max	Unit	Condition
<b>Input Pin Characteristics: L1CLK, L1SY1, L1RXD, L1GR</b>					
Input Low Level Voltage	$V_{IL}$	-10%	+ 20%	V	(% of $V_{DD}$ )
Input High Level Voltage	$V_{IH}$	$V_{DD} - 20\%$	$V_{DD} + 10\%$	V	
Input Low Level Current	$I_{IL}$	—	$\pm 10$	$\mu A$	$V_{in} = V_{SS}$
Input High Level Current	$I_{IH}$	—	$\pm 10$	$\mu A$	$V_{in} = V_{DD}$
<b>Output Pin Characteristics: L1TXD, SDS1- SDS2, L1RQ</b>					
Output Low Level Voltage	$V_{OL}$	0	1.0	V	$I_{OL} = 5.0 \text{ mA}$
Output High Level Voltage	$V_{OH}$	$V_{DD} - 1.0$	$V_{DD}$	V	$I_{OH} = 400 \mu A$

### 6.7 AC ELECTRICAL SPECIFICATIONS—CLOCK TIMING

(see Figure 6-1, Figure 6-2, Figure 6-3, and Figure 6-4)

Num.	Characteristic	Symbol	16.67 MHz		Unit
			Min	Max	
	Frequency of Operation	f	8	16.67	MHz
1	Clock Period (EXTAL) (See note 3)	$t_{cyc}$	60	125	ns
2, 3	Clock Pulse Width (EXTAL)	$t_{CL}, t_{CH}$	25	62.5	ns
4, 5	Clock Rise and Fall Times (EXTAL)	$t_{Cr}, t_{Cf}$	—	5	ns
5a	EXTAL to CLKO Delay (See Notes 1 and 2)	$t_{CD}$	5	12	ns

NOTE:

1. CLKO loading is 50 pF max.
2. CLKO skew from the rising and falling edges of EXTAL will not differ from each other by more than 1 ns, if the EXTAL rise time equals the EXTAL fall time.
3. You may not stop the clock input at any time.

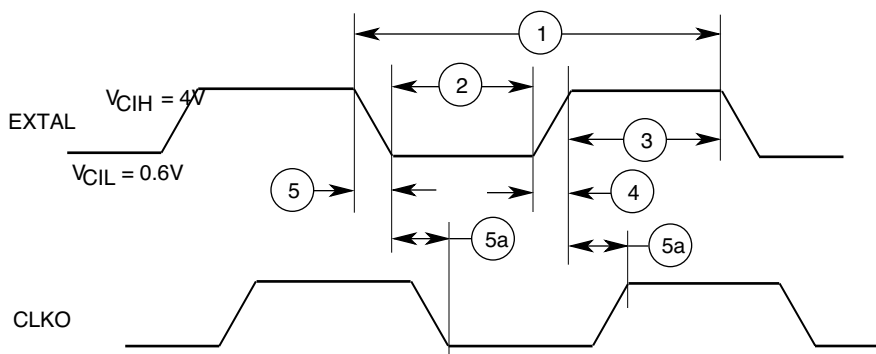


Figure 6-1. Clock Timing Diagram

## 6.8 AC ELECTRICAL SPECIFICATIONS—IMP BUS MASTER CYCLES

(see Figure 6-2, Figure 6-3, Figure 6-4, and Figure 6-5)

			16.67 MHz		
Num.	Characteristic	Symbol	Min	Max	Unit
6	Clock High to FC, Address Valid	$t_{CHFCADV}$	0	45	ns
7	Clock High to Address, Data Bus High Impedance (Maximum)	$t_{CHADZ}$	—	50	ns
8	Clock High to Address, FC Invalid (Minimum)	$t_{CHAFI}$	0	—	ns
9	Clock High to $\overline{AS}$ , $\overline{DS}$ Asserted (see Note 1)	$t_{CHSL}$	3	30	ns
11	Address, FC Valid to $\overline{AS}$ , $\overline{DS}$ Asserted (Read) $\overline{AS}$ Asserted Write (see Note 2)	$t_{AFCVSL}$	15	—	ns
12	Clock Low to $\overline{AS}$ , $\overline{DS}$ Negated (see Note 1)	$t_{CLSH}$	—	30	ns
13	$\overline{AS}$ , $\overline{DS}$ Negated to Address, FC Invalid (see Note 2)	$t_{SHAFI}$	15	—	ns
14	$\overline{AS}$ (and $\overline{DS}$ Read) Width Asserted (see Note 2)	$t_{SL}$	120	—	ns
14A	$\overline{DS}$ Width Asserted, Write (see Note 2)	$t_{DSL}$	60	—	ns
15	$\overline{AS}$ , $\overline{DS}$ Width Negated (see Note 2)	$t_{SH}$	60	—	ns
16	Clock High to Control Bus High Impedance	$t_{CHCZ}$	—	50	ns
17	$\overline{AS}$ , $\overline{DS}$ Negated to R/W Invalid (see Note 2)	$t_{SHRH}$	15	—	ns
18	Clock High to R/W High (see Note 1)	$t_{CHRH}$	—	30	ns
20	Clock High to R/W Low (see Note 1)	$t_{CHRL}$	—	30	ns
20A	$\overline{AS}$ Asserted to R/W Low (Write) (see Notes 2 and 6)	$t_{ASRV}$	—	10	ns
21	Address FC Valid to R/W Low (Write) (see Note 2)	$t_{AFCVRL}$	15	—	ns
22	R/W Low to $\overline{DS}$ Asserted (Write) (see Note 2)	$t_{RLSL}$	30	—	ns
23	Clock Low to Data-Out Valid	$t_{CLDO}$	—	30	ns
25	$\overline{AS}$ , $\overline{DS}$ , Negated to Data-Out Invalid (Write) (see Note 2)	$t_{SHDOI}$	15	—	ns

			16.67 MHz		
Num.	Characteristic	Symbol	Min	Max	Unit
26	Data-Out Valid to $\overline{DS}$ Asserted (Write) (see Note 2)	$t_{DOSL}$	15	—	ns
27	Data-In Valid to Clock Low (Setup Time on Read) (see Note 5)	$t_{DICL}$	7	—	ns
28	$\overline{AS}$ , $\overline{DS}$ Negated to $\overline{DTACK}$ Negated (Asynchronous Hold) (see Note 2)	$t_{SHDAH}$	0	110	ns
29	$\overline{AS}$ , $\overline{DS}$ Negated to Data-In Invalid (Hold Time on Read)	$t_{SHDII}$	0	—	ns
30	$\overline{AS}$ , $\overline{DS}$ Negated to $\overline{BERR}$ Negated	$t_{SHBEH}$	0	—	ns
31	$\overline{DTACK}$ Asserted to Data-In Valid (Setup Time) (see Notes 2 and 5)	$t_{DALDI}$	—	50	ns
32	$\overline{HALT}$ and $\overline{RESET}$ Input Transition Time	$t_{RHr}$ , $t_{RHf}$	—	150	ns

33	Clock High to $\overline{BG}$ Asserted	$t_{CHGL}$	—	30	ns
34	Clock High to $\overline{BG}$ Negated	$t_{CHGH}$	—	30	ns
35	$\overline{BR}$ Asserted to $\overline{BG}$ Asserted (see Note 11)	$t_{BRLGL}$	2.5	4.5	clks
36	$\overline{BR}$ Negated to $\overline{BG}$ Negated (see Note 7)	$t_{BRHGH}$	1.5	2.5	clks
37	$\overline{BGACK}$ Asserted to $\overline{BG}$ Negated	$t_{GALGH}$	2.5	4.5	clks
37A	$\overline{BGACK}$ Asserted to $\overline{BR}$ Negated (see Note 8)	$t_{GALBRH}$	10	1.5	ns/ clks
38	$\overline{BG}$ Asserted to Control, Address, Data Bus High Impedance ( $\overline{AS}$ Negated)	$t_{GLZ}$	—	50	ns
39	$\overline{BG}$ Width Negated	$t_{GH}$	1.5	—	clks
40	$\overline{BGACK}$ Asserted to Address Valid	$t_{GALAV}$	15	—	ns
41	$\overline{BGACK}$ Asserted to $\overline{AS}$ Asserted	$t_{GALASA}$	30	—	ns
44	$\overline{AS}$ , $\overline{DS}$ Negated to $\overline{AVEC}$ Negated	$t_{SHVPH}$	0	50	ns
46	$\overline{BGACK}$ Width Low	$t_{GAL}$	1.5	—	clks
47	Asynchronous Input Setup Time (see Note 5)	$t_{ASI}$	12	—	ns
48	$\overline{BERR}$ Asserted to $\overline{DTACK}$ Asserted (see Notes 2 and 3)	$t_{BELDAL}$	10	—	ns
53	Data-Out Hold from Clock High	$t_{CHDOI}$	0	—	ns
55	R/W Asserted to Data Bus Impedance Change	$t_{RLDBD}$	0	—	ns
56	$\overline{HALT/RESET}$ Pulse Width (see Note 4)	$t_{HRPW}$	10	—	clks
57	$\overline{BGACK}$ Negated to $\overline{AS}$ , $\overline{DS}$ , R/W Driven	$t_{GASD}$	1.5	—	clks
57A	$\overline{BGACK}$ Negated to FC	$t_{GAFD}$	1	—	clks
58	$\overline{BR}$ Negated to $\overline{AS}$ , $\overline{DS}$ , R/W Driven (see Note 7)	$t_{RHSD}$	1.5	—	clks
58A	$\overline{BR}$ Negated to FC (see Note 7)	$t_{RHFD}$	1	—	clks
60	Clock High to $\overline{BCLR}$ Asserted	$t_{CHBCL}$	—	30	ns
61	Clock High to $\overline{BCLR}$ High Impedance (See Note 10)	$t_{CHBCH}$	—	30	ns

		16.67 MHz			
Num.	Characteristic	Symbol	Min	Max	Unit
62	Clock Low (S0 Falling Edge during read) to $\overline{RMC}$ Asserted	$t_{CLRML}$	—	30	ns
63	Clock High (during write) to $\overline{RMC}$ Negated	$t_{CHRMH}$	—	30	ns
64	$\overline{RMC}$ Negated to $\overline{BG}$ Asserted (see Note 9)	$t_{RMHGL}$	—	30	ns

**NOTES:**

- For loading capacitance of less than or equal to 50 pF, subtract 4 ns from the value given in the maximum columns.
- Actual value depends on clock period since signals are driven/latched on different CLK0 edges. To calculate the actual spec for other clock frequencies, the user may derive the formula for each specification. First, derive the margin factor as:  $M = N(P/2) - Sa$   
 where N is the number of one-half CLK0 periods between the two events as derived from the timing diagram, P is the rated clock period of the device for which the specs were derived (e.g., 60 ns with a 16.67-MHz device), and Sa is the actual spec in the data sheet. Thus, for spec 14 at 16.67 MHz:  
 $M = 5(60 \text{ ns}/2) - 120 \text{ ns} = 30 \text{ ns}$ .

Once the margin (M) is calculated for a given spec, a new value of that spec (Sn) at another clock frequency with period (Pa) is calculated as:

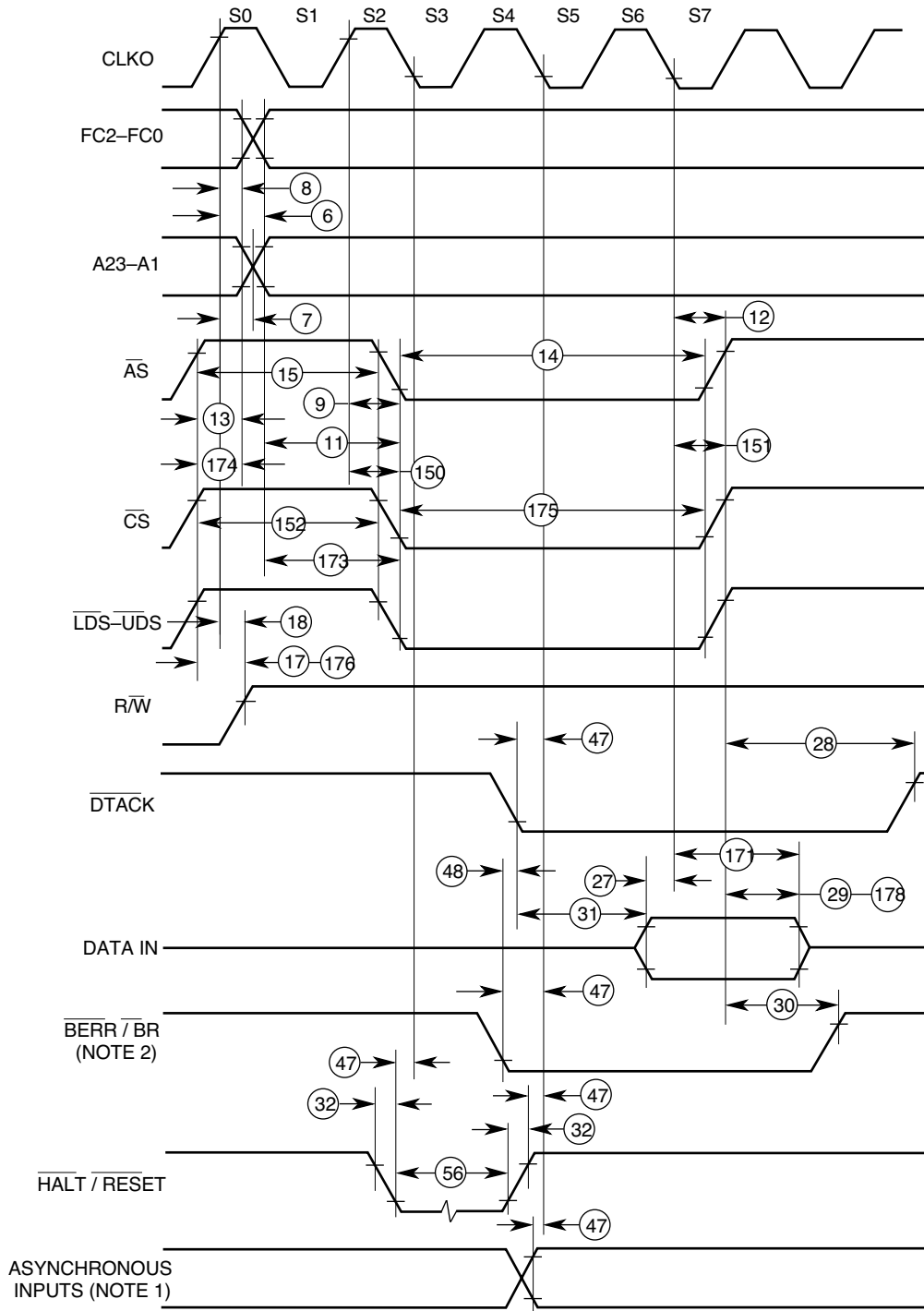
$$S_n = N(P_a/2) - M$$

Thus for spec 14 at 12.5 MHz:

$$S_n = 5(80 \text{ ns}/2) - 30 \text{ ns} = 170 \text{ ns.}$$

These two formulas assume a 50% duty cycle. Otherwise, if N is odd, the previous values N(P/2) and N(Pa/2) must be reduced by X, where X is the difference between the nominal pulse width and the minimum pulse width of the EXTAL input clock for that duty cycle.

3. If #47 is satisfied for both  $\overline{DTACK}$  and  $\overline{BERR}$ , #48 may be ignored. In the absence of  $\overline{DTACK}$ ,  $\overline{BERR}$  is a synchronous input using the asynchronous input setup time (#47).
4. For power-up, the MC68302 must be held in the reset state for 100 ms to allow stabilization of on-chip circuit. After the system is powered up #56 refers to the minimum pulse width required to reset the processor.
5. If the asynchronous input setup (#47) requirement is satisfied for  $\overline{DTACK}$ , the  $\overline{DTACK}$  asserted to data setup time (#31) requirement can be ignored. The data must only satisfy the data-in to clock low setup time (#27) for the following clock cycle.
6. When  $\overline{AS}$  and  $R/\overline{W}$  are equally loaded ( $\pm 20\%$ ), subtract 5 ns from the values given in these columns.
7. The MC68302 will negate  $\overline{BG}$  and begin driving the bus if external arbitration logic negates  $\overline{BR}$  before asserting  $\overline{BGACK}$ .
8. The minimum value must be met to guarantee proper operation. If the maximum value is exceeded,  $\overline{BG}$  may be reasserted.
9. This specification is valid only when the RMCST bit is set in the SCR register.
10. Occurs on S0 of SDMA read/write access when the SDMA becomes bus master.
11. Specification may be exceeded during the TAS instruction if the RMCST bit in the SCR is set.

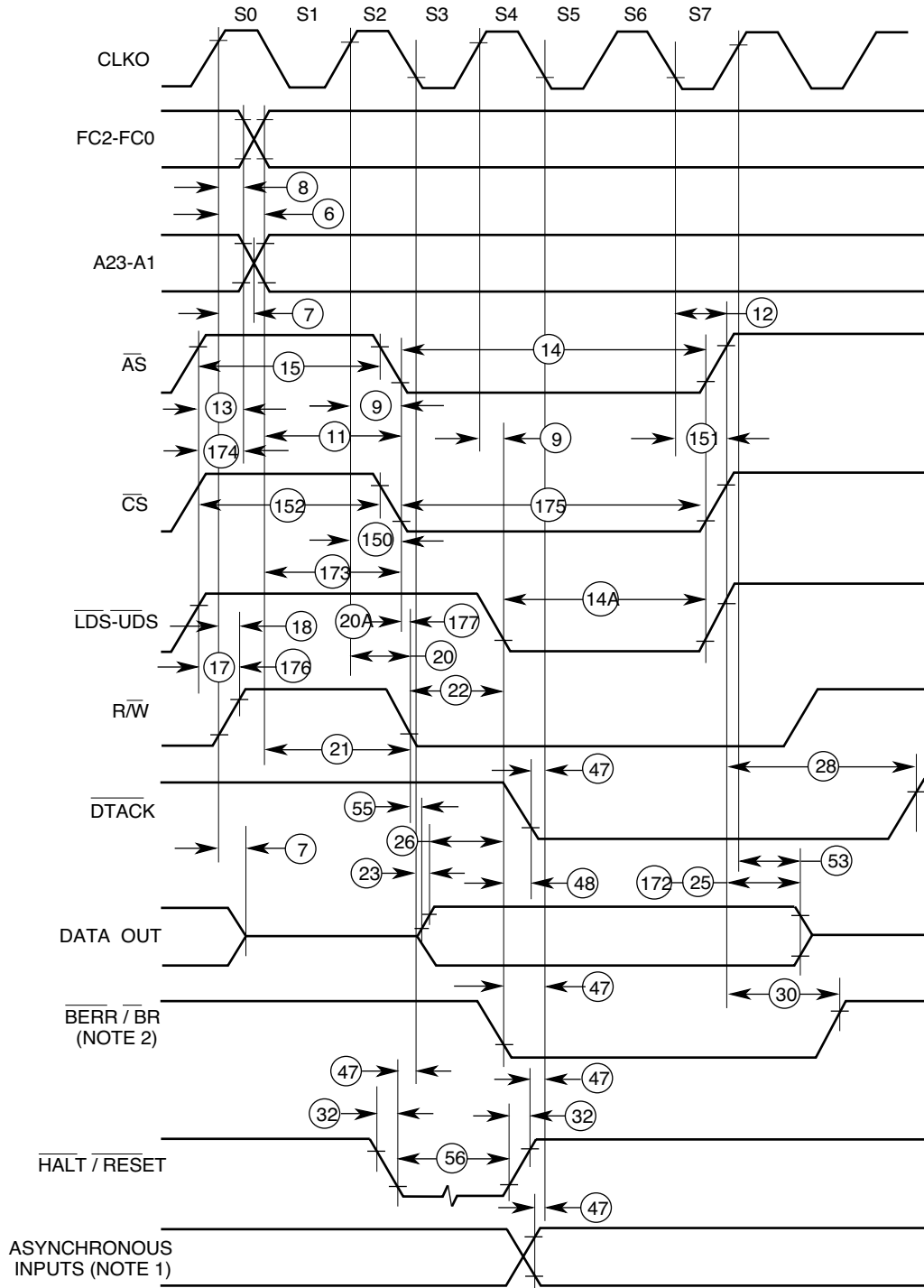


NOTES:

1. Setup time for the asynchronous inputs  $\overline{IPL2-IPL0}$  guarantees their recognition at the next falling edge of the clock.
2. BR need fall at this time only to insure being recognized at the end of the bus cycle.
3. Timing measurements are referenced to and from a low voltage of 0.8 volt and a high voltage of 2.0 volts, unless otherwise noted. The voltage swing through this range should start outside and pass through the range such that the rise or fall is linear between 0.8 volts and 2.0 volts.

Figure 6-2. Read Cycle Timing Diagram

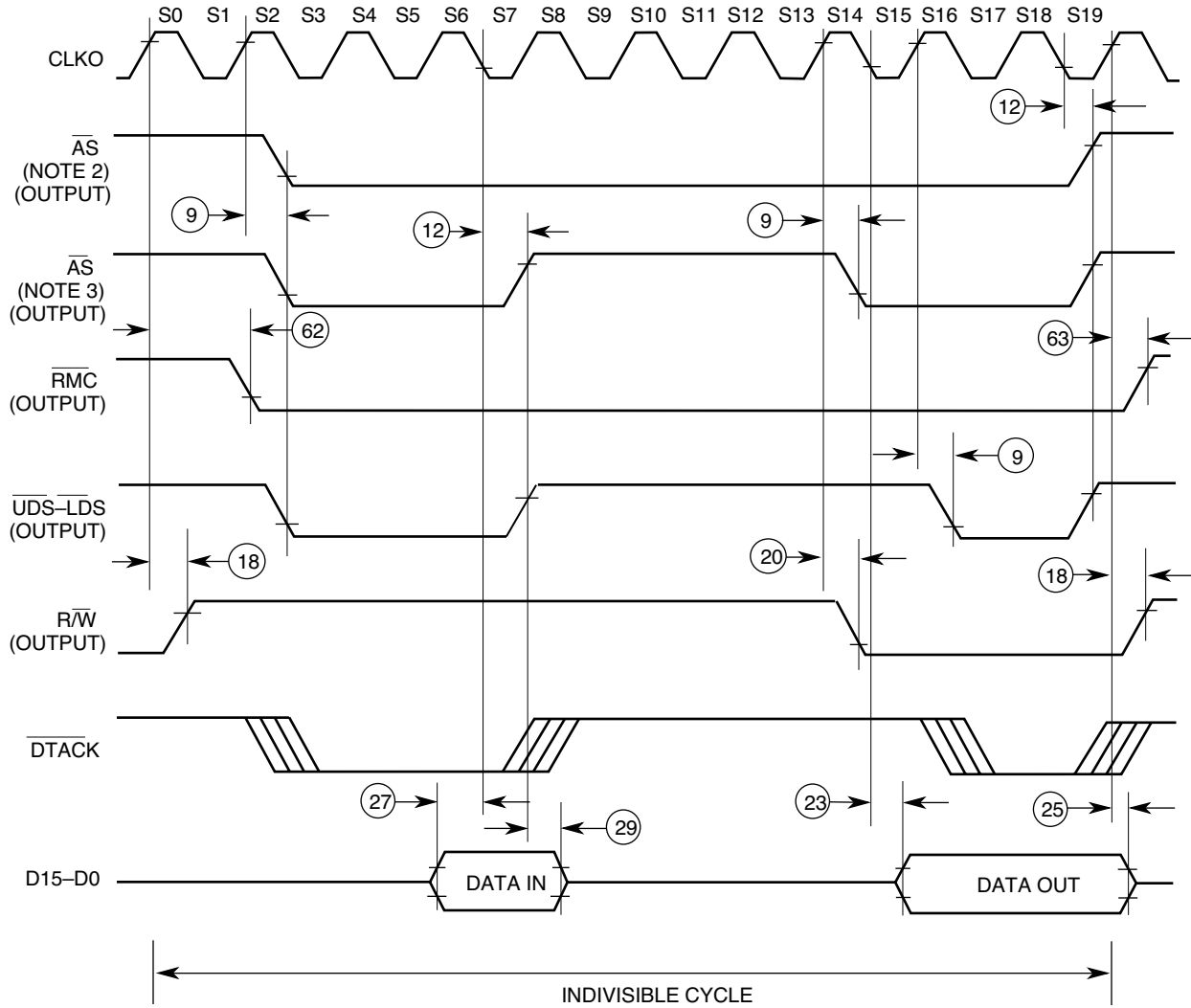




NOTES:

1. Timing measurements are referenced to and from a low voltage of 0.8 volt and a high voltage of 2.0 volts, unless otherwise noted. The voltage swing through this range should start outside and pass through the range such that the rise or fall is linear between between 0.8 volt and 2.0 volts.
2. Because of loading variations, R/W may be valid after AS even though both are initiated by the rising edge of S2 (specification #20A)
3. Each wait state is a full clock cycle inserted between S4 and S5.

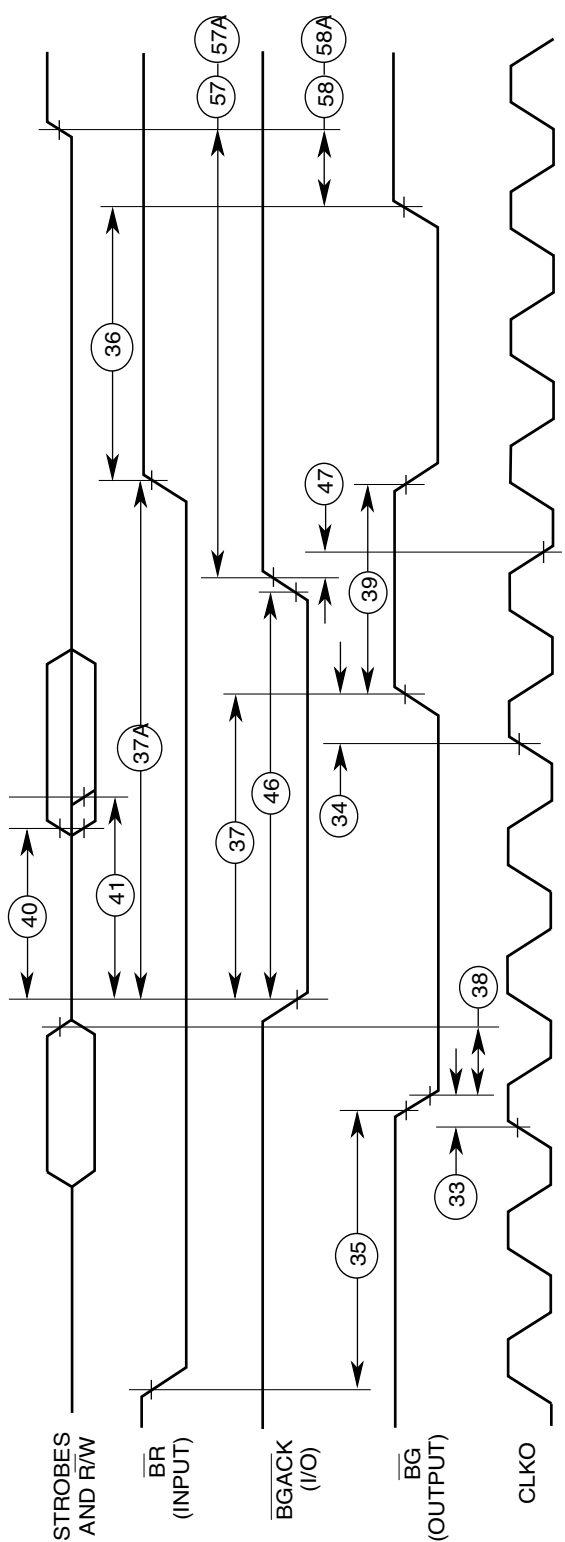
**Figure 6-3. Write Cycle Timing Diagram**



NOTES:

1. For other timings than RMC, see Figures 6-2 and 6-3.
2. RMCST = 0 in the SCR.
3. RMCST = 1 in the SCR.
4. Wait states may be inserted between S4 and S5 during the write cycle and between S16 and S17 during the read cycle.
5. Read-modify-write cycle is generated only by the TAS instruction.

**Figure 6-4. Read-Modify-Write Cycle Timing Diagram**



NOTE: Setup time to the clock (#47) for the asynchronous inputs  $\overline{BERR}$ ,  $\overline{BGACK}$ ,  $\overline{BR}$ ,  $\overline{DTACK}$ , and  $\overline{IPL2-IPLO}$  guarantees their recognition at the next falling edge of the clock.

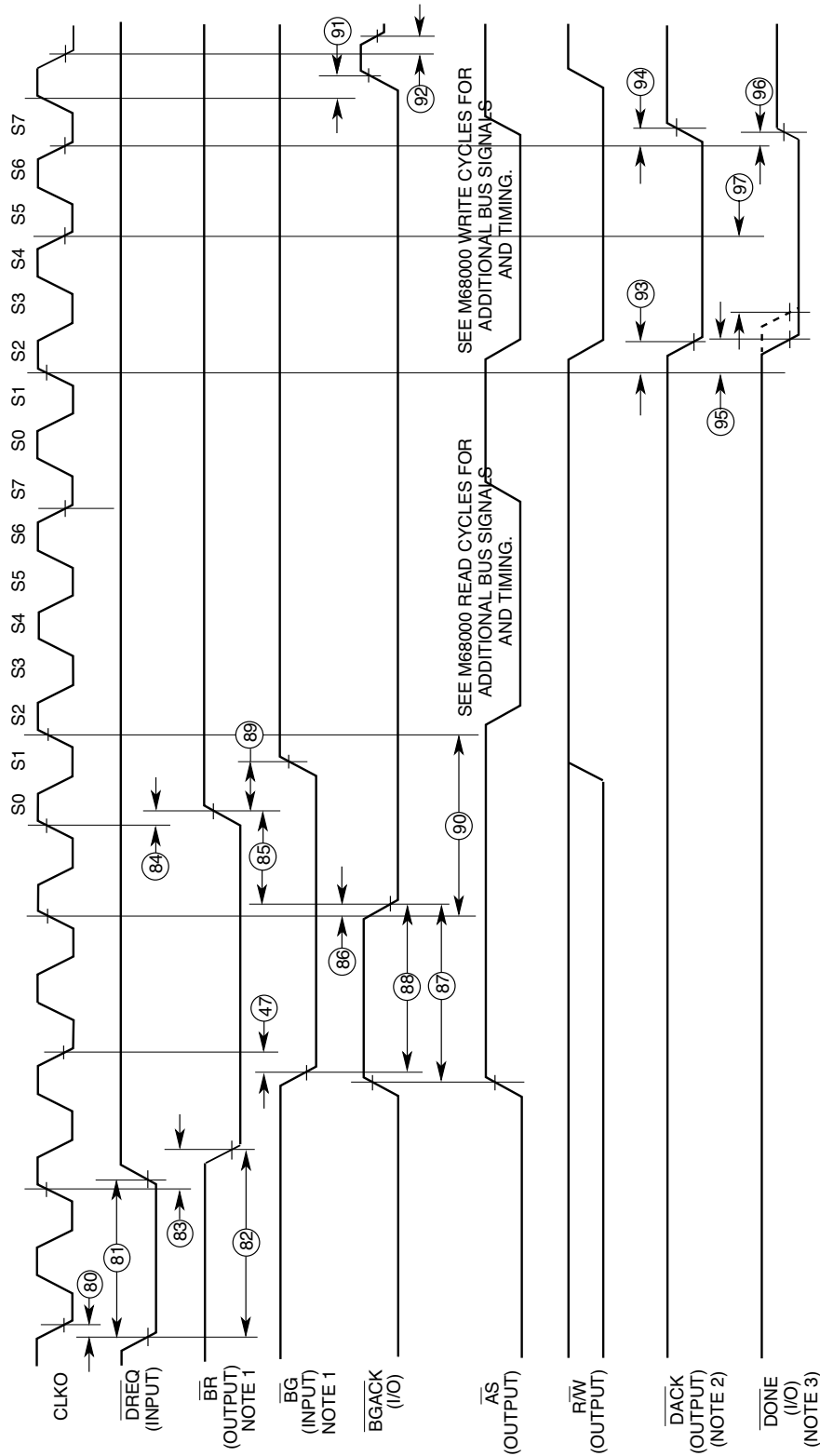
Figure 6-5. Bus Arbitration Timing Diagram

**6.9 AC ELECTRICAL SPECIFICATIONS—DMA** (see Figure 6-6 and Figure 6-7)

Num.	Characteristic	Symbol	16.67 MHz		Unit
			Min	Max	
80	$\overline{DREQ}$ Asynchronous Setup Time (see Note 1)	$t_{REQASI}$	15	—	ns
81	$\overline{DREQ}$ Width Low (see Note 2)	$t_{REQL}$	2	—	clks
82	$\overline{DREQ}$ Low to $\overline{BR}$ Low (see Notes 3 and 4)	$t_{REQLBRL}$	—	2	clks
83	Clock High to $\overline{BR}$ Low (see Notes 3 and 4)	$t_{CHBRL}$	—	30	ns
84	Clock High to $\overline{BR}$ High Impedance (see Notes 3 and 4)	$t_{CHBRZ}$	—	30	ns
85	$\overline{BGACK}$ Low to $\overline{BR}$ High Impedance (see Notes 3 and 4)	$t_{BKLBRZ}$	30	—	ns
86	Clock High to $\overline{BGACK}$ Low	$t_{CHBKL}$	—	30	ns
87	$\overline{AS}$ and $\overline{BGACK}$ High (the Latest One) to $\overline{BGACK}$ Low (when $\overline{BG}$ Is Asserted)	$t_{ABHBKL}$	1.5	2.5 +30	clks ns
88	$\overline{BG}$ Low to $\overline{BGACK}$ Low (No Other Bus Master) (see Notes 3 and 4)	$t_{BGLBKL}$	1.5	2.5 +30	clks ns
89	$\overline{BR}$ High Impedance to $\overline{BG}$ High (see Notes 3 and 4)	$t_{BRHBGH}$	0	—	ns
90	Clock on which $\overline{BGACK}$ Low to Clock on which $\overline{AS}$ Low	$t_{CLBKLAL}$	2	2	clks
91	Clock High to $\overline{BGACK}$ High	$t_{CHBKH}$	—	30	ns
92	Clock Low to $\overline{BGACK}$ High Impedance	$t_{CLBKZ}$	—	30	ns
93	Clock High to $\overline{DACK}$ Low	$t_{CHACKL}$	—	30	ns
94	Clock Low to $\overline{DACK}$ High	$t_{CLACKH}$	—	30	ns
95	Clock High to $\overline{DONE}$ Low (Output)	$t_{CHDNL}$	—	30	ns
96	Clock Low to $\overline{DONE}$ High Impedance	$t_{CLDNZ}$	—	30	ns
97	$\overline{DONE}$ Input Low to Clock Low (Asynchronous Setup)	$t_{DNLTC}$	15	—	ns

**NOTES:**

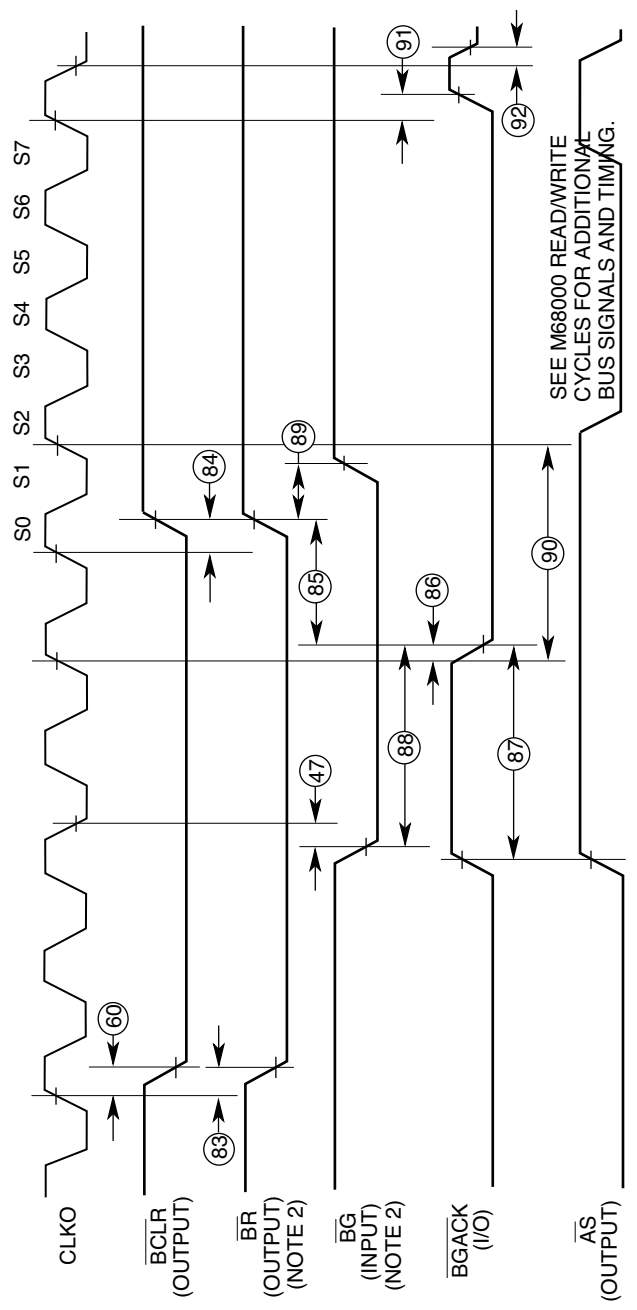
- $\overline{DREQ}$  is sampled on the falling edge of CLK in cycle steal and burst modes.
- If #80 is satisfied for  $\overline{DREQ}$ , #81 may be ignored.
- $\overline{BR}$  will not be asserted while  $\overline{BG}$ , HALT, or BERR is asserted.
- Specifications are for DISABLE CPU mode only.
- $\overline{DREQ}$ ,  $\overline{DACK}$ , and  $\overline{DONE}$  do not apply to the SDMA channels.
- DMA and SDMA read and write cycle timing is the same as that for the M68000 core.



NOTES:

1. BR and BG shown above are only active in disable CPU mode; otherwise, they do not apply to the diagram.
2. Assumes the ECO bit in the CMR = 1.
3. For the case when DONE is an input, assumes ECO bit in the CMR = 1.

Figure 6-6. DMA Timing Diagram (IDMA)



NOTES:  
 1. DRAM refresh controller timing is identical to SDMA timing.  
 2. BR and BG shown above are only active in disable CPU mode; otherwise they do not apply to the diagram.

Figure 6-7. DMA Timing Diagram (SDMA)

## 6.10 AC ELECTRICAL SPECIFICATIONS—EXTERNAL MASTER INTERNAL ASYNCHRONOUS READ/WRITE CYCLES

(see Figure 1 and Figure 6-8)

Num.	Characteristic	Symbol	16.67 MHz		Unit
			Min	Max	
100	R/ $\bar{W}$ Valid to $\bar{D}\bar{S}$ Low	$t_{RWVDSL}$	0	—	ns
101	$\bar{D}\bar{S}$ Low to Data-In Valid	$t_{DSL DIV}$	—	30	ns
102	$\bar{D}\bar{T}\bar{A}\bar{C}\bar{K}$ Low to Data-In Hold Time	$t_{DKLDH}$	0	—	ns
103	$\bar{A}\bar{S}$ Valid to $\bar{D}\bar{S}$ Low	$t_{ASVDSL}$	0	—	ns
104	$\bar{D}\bar{T}\bar{A}\bar{C}\bar{K}$ Low to $\bar{A}\bar{S}$ , $\bar{D}\bar{S}$ High	$t_{DKLDSH}$	0	—	ns
105	$\bar{D}\bar{S}$ High to $\bar{D}\bar{T}\bar{A}\bar{C}\bar{K}$ High	$t_{DSHDKH}$	—	45	ns
106	$\bar{D}\bar{S}$ Inactive to $\bar{A}\bar{S}$ Inactive	$t_{DSIASI}$	0	—	ns
107	$\bar{D}\bar{S}$ High to R/ $\bar{W}$ High	$t_{DSHRWH}$	0	—	ns
108	$\bar{D}\bar{S}$ High to Data High Impedance	$t_{DSDHZ}$	—	45	ns
108A	$\bar{D}\bar{S}$ High to Data-Out Hold Time (see Note)	$t_{DSDH}$	0	—	ns
109A	Data Out Valid to $\bar{D}\bar{T}\bar{A}\bar{C}\bar{K}$ Low	$t_{DOVDKL}$	15	—	ns

NOTE: If  $\bar{A}\bar{S}$  is negated before  $\bar{D}\bar{S}$ , the data bus could be three-stated (spec 126) before  $\bar{D}\bar{S}$  is negated.

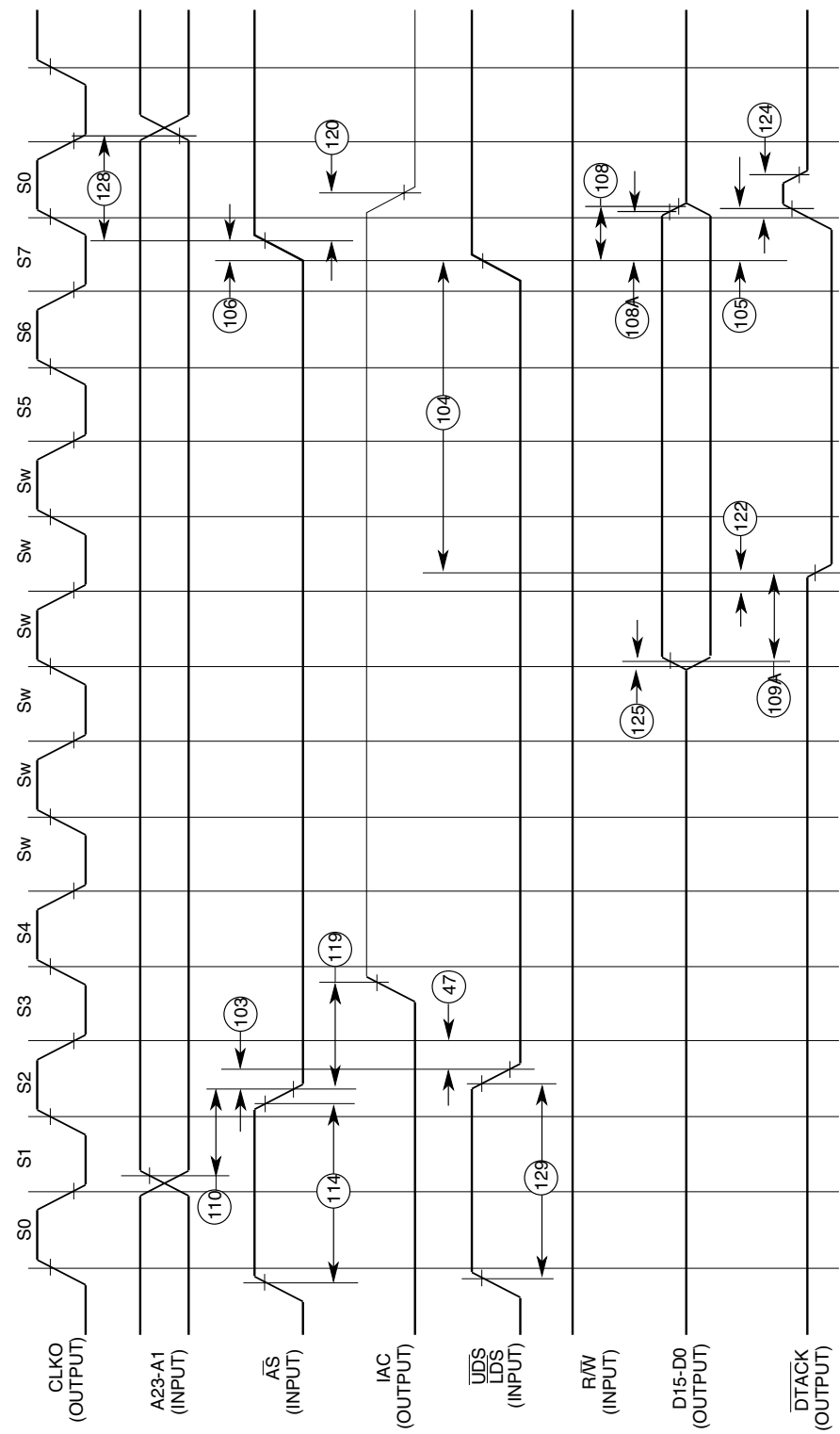


Figure 1. External Master Internal Asynchronous Read Cycle Timing Diagram



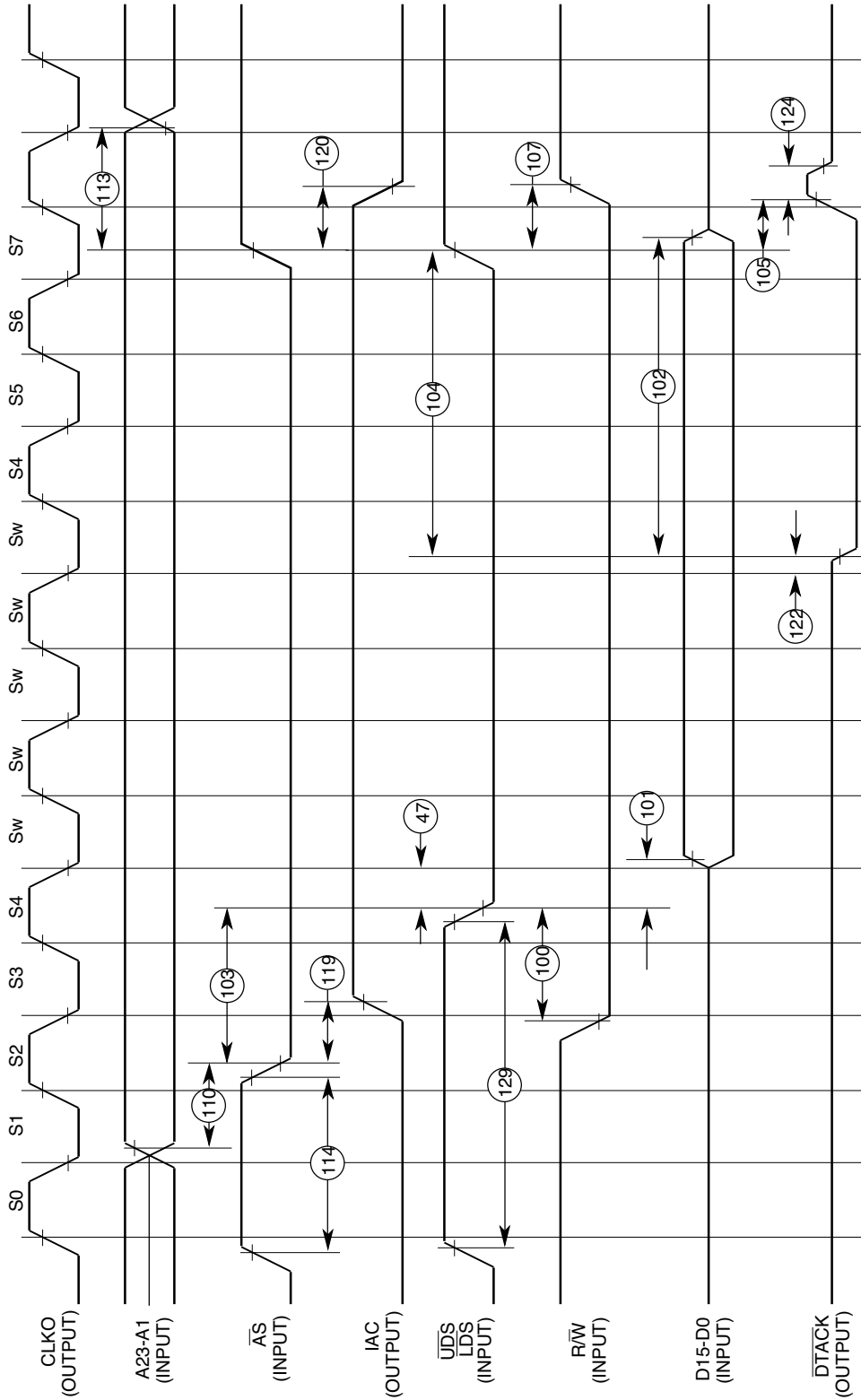


Figure 6-8. External Master Internal Asynchronous Write Cycle Timing Diagram

## 6.11 AC ELECTRICAL SPECIFICATIONS—EXTERNAL MASTER INTERNAL SYNCHRONOUS READ/WRITE CYCLES

(see Figure 6-9, Figure 6-10, and Figure 6-11)

Num.	Characteristic	Symbol	16.67 MHz		Unit
			Min	Max	
110	Address Valid to $\overline{AS}$ Low	$t_{AVASL}$	15	—	ns
111	$\overline{AS}$ Low to Clock High	$t_{ASLCH}$	30	—	ns
112	Clock Low to $\overline{AS}$ High	$t_{CLASH}$	—	45	ns
113	$\overline{AS}$ High to Address Hold Time on Write	$t_{ASHAH}$	0	—	ns
114	$\overline{AS}$ Inactive Time	$t_{ASH}$	1	—	clk
115	$\overline{UDS}/\overline{LDS}$ Low to Clock High (see Note 2)	$t_{SLCH}$	40	—	ns
116	Clock Low to $\overline{UDS}/\overline{LDS}$ High	$t_{CLSH}$	—	45	ns
117	$R/\overline{W}$ Valid to Clock High (see Note 2)	$t_{RWVCH}$	30	—	ns
118	Clock High to $R/\overline{W}$ High	$t_{CHRWH}$	—	45	ns
119	$\overline{AS}$ Low to IAC High	$t_{ASLIAH}$	—	40	ns
120	$\overline{AS}$ High to IAC Low	$t_{ASHIAL}$	—	40	ns
121	$\overline{AS}$ Low to $\overline{DTACK}$ Low (0 Wait State)	$t_{ASLDTL}$	—	45	ns
122	Clock Low to $\overline{DTACK}$ Low (1 Wait State)	$t_{CLDTL}$	—	30	ns
123	$\overline{AS}$ High to $\overline{DTACK}$ High	$t_{ASHDTH}$	—	45	ns
124	$\overline{DTACK}$ High to $\overline{DTACK}$ High Impedance	$t_{DTHDTZ}$	—	15	ns
125	Clock High to Data-Out Valid	$t_{CHDOV}$	—	30	ns
126	$\overline{AS}$ High to Data High Impedance	$t_{ASHDZ}$	—	45	ns
127	$\overline{AS}$ High to Data-Out Hold Time	$t_{ASHDOI}$	0	—	ns
128	$\overline{AS}$ High to Address Hold Time on Read	$t_{ASHAI}$	0	—	ns
129	$\overline{UDS}/\overline{LDS}$ Inactive Time	$t_{SH}$	1	—	clk
130	Data-In Valid to Clock Low	$t_{CLDIV}$	30	—	ns
131	Clock Low to Data-In Hold Time	$t_{CLDIH}$	15	—	ns

NOTES:

1. Synchronous specifications above are valid only when SAM = 1 in the SCR.
2. It is required that this signal not be asserted prior to the previous rising CLK0 edge (i.e., in the previous clock cycle). It must be recognized by the IMP no sooner than the rising CLK0 edge shown in the diagram.

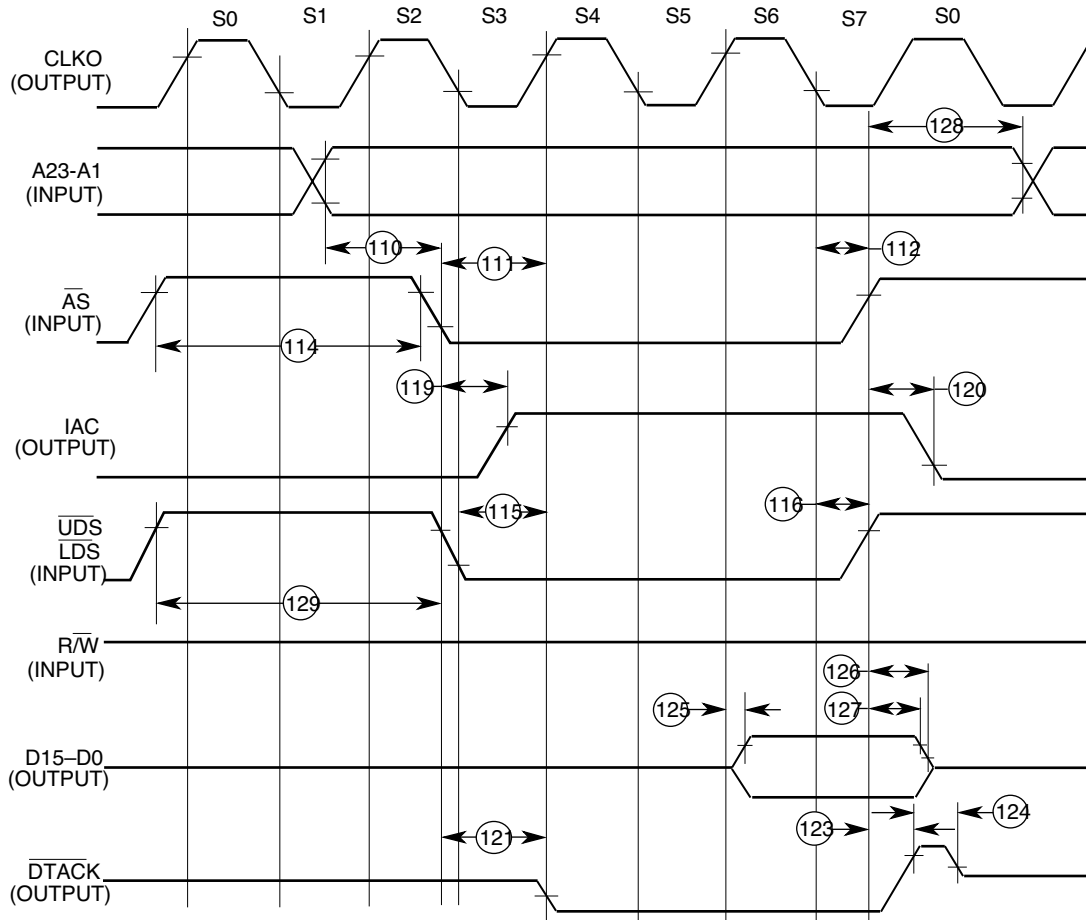


Figure 6-9. External Master Internal Synchronous Read Cycle Timing Diagram

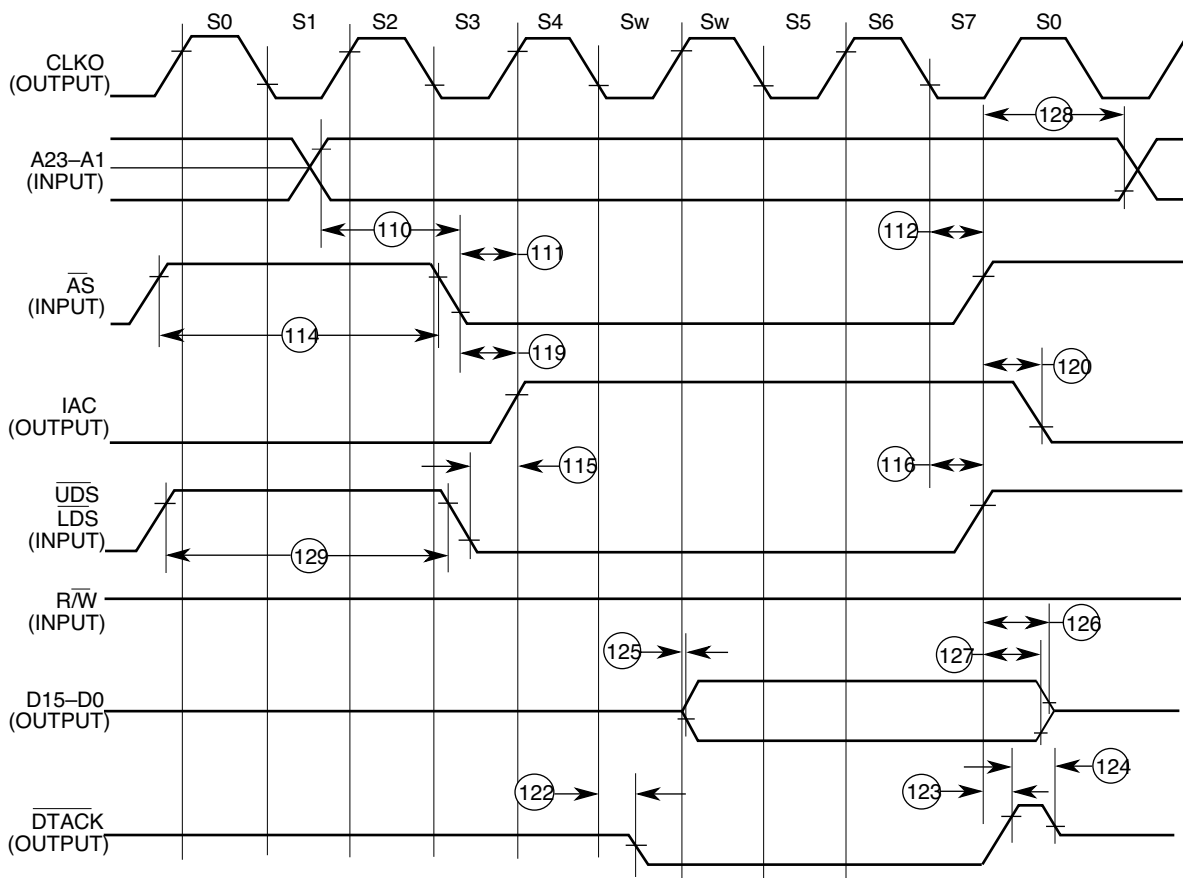


Figure 6-10. External Master Internal Synchronous Read Cycle Timing Diagram (One Wait State)

Freescale Semiconductor, Inc.

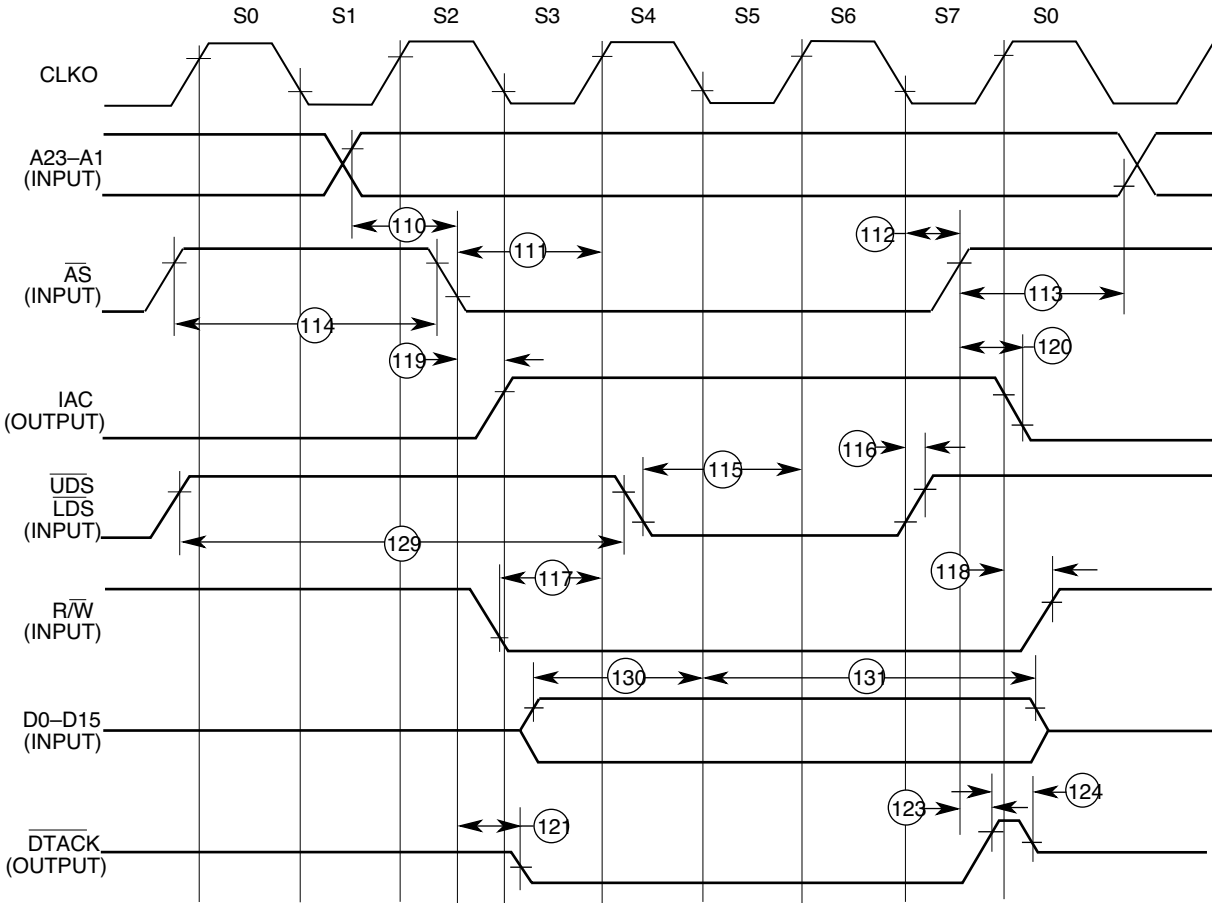
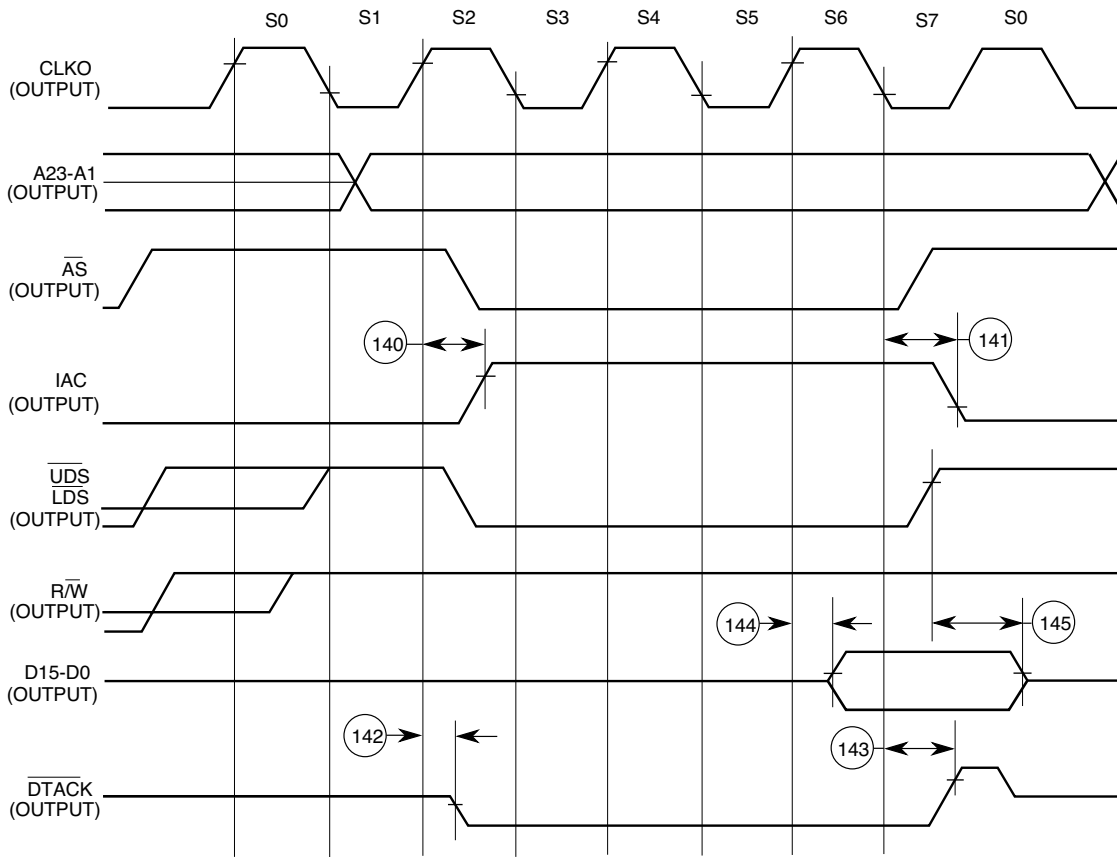


Figure 6-11. External Master Internal Synchronous Write Cycle Timing Diagram

Freescale Semiconductor, Inc.

**6.12 AC ELECTRICAL SPECIFICATIONS—INTERNAL MASTER  
INTERNAL READ/WRITE CYCLES** (see Figure 6-12)

Num.	Characteristic	Symbol	16.67 MHz		Unit
			Min	Max	
140	Clock High to IAC High	$t_{CHIAH}$	—	40	ns
141	Clock Low to IAC Low	$t_{CLIAL}$	—	40	ns
142	Clock High to $\overline{DTACK}$ Low	$t_{CHDTL}$	—	45	ns
143	Clock Low to $\overline{DTACK}$ High	$t_{CLDTH}$	—	40	ns
144	Clock High to Data-Out Valid	$t_{CHDOV}$	—	30	ns
145	$\overline{AS}$ High to Data-Out Hold Time	$t_{ASHDOH}$	0	—	ns



**Figure 6-12. Internal Master Internal Read/Write Cycle Timing Diagram**

### 6.13 AC ELECTRICAL SPECIFICATIONS—CHIP-SELECT TIMING INTERNAL MASTER (see Figure 6-13)

Num.	Characteristic	Symbol	16.67 MHz		Unit
			Min	Max	
150	Clock High to $\overline{CS}$ , $\overline{IACK}$ Low (see Note 2)	$t_{CHCSIACL}$	0	40	ns
151	Clock Low to $\overline{CS}$ , $\overline{IACK}$ High (see Note 2)	$t_{CLCSIACH}$	0	40	ns
152	$\overline{CS}$ Width Negated	$t_{CSH}$	60	—	ns
153	Clock High to $\overline{DTACK}$ Low (0 Wait State)	$t_{CHDTKL}$	—	45	ns
154	Clock Low to $\overline{DTACK}$ Low (1–6 Wait States)	$t_{CLDTKL}$	—	30	ns
155	Clock Low to $\overline{DTACK}$ High	$t_{CLDTKH}$	—	40	ns
156	Clock High to $\overline{BERR}$ Low (see Note 1)	$t_{CHBERL}$	—	40	ns
157	Clock Low to $\overline{BERR}$ High Impedance (see Note 1)	$t_{CLBERH}$	—	40	ns
158	$\overline{DTACK}$ High to $\overline{DTACK}$ High Impedance	$t_{DTKHDTKZ}$	—	15	ns
171	Input Data Hold Time from S6 Low	$t_{IDHCL}$	5	—	ns
172	$\overline{CS}$ Negated to Data-Out Invalid (Write)	$t_{CSNDOI}$	10	—	ns
173	Address, FC Valid to $\overline{CS}$ Asserted	$t_{AFVCSA}$	15	—	ns
174	$\overline{CS}$ Negated to Address, FC Invalid	$t_{CSNAFI}$	15	—	ns
175	$\overline{CS}$ Low Time (0 Wait States)	$t_{CSLT}$	120	—	ns
176	$\overline{CS}$ Negated to R/ $\overline{W}$ Invalid	$t_{CSNRWI}$	10	—	ns
177	$\overline{CS}$ Asserted to R/ $\overline{W}$ Low (Write)	$t_{CSARWL}$	—	10	ns
178	$\overline{CS}$ Negated to Data-In Invalid (Hold Time on Read)	$t_{CSNDII}$	0	—	ns

**NOTE:**

1. This specification is valid only when the ADCE or WPVE bits in the SCR are set.
2. For loading capacitance less than or equal to 50 pF, subtract 4 ns from the maximum value given.
3. Since  $\overline{AS}$  and  $\overline{CS}$  are asserted/negated on the same CLK0 edges, no  $\overline{AS}$  to  $\overline{CS}$  relative timings can be specified. However,  $\overline{CS}$  timings are given relative to a number of other signals, in the same manner as  $\overline{AS}$ . See Figure 6-2 and Figure 6-3 for diagrams.

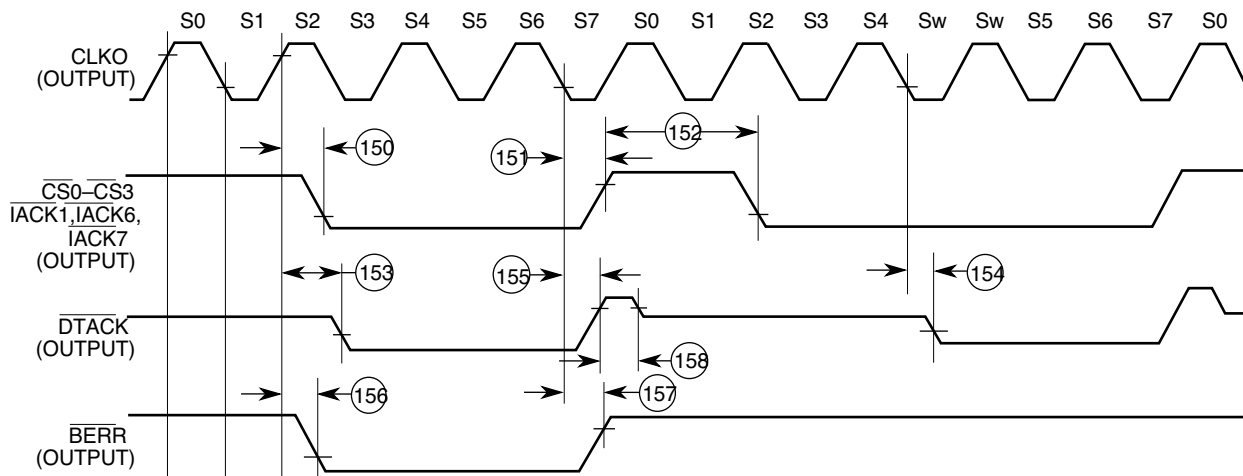


Figure 6-13. Internal Master Chip-Select Timing Diagram

### 6.14 AC ELECTRICAL SPECIFICATIONS—CHIP-SELECT TIMING EXTERNAL MASTER (see Figure 6-14)

Num.	Characteristic	Symbol	16.67 MHz		Unit
			Min	Max	
154	Clock Low to $\overline{DTACK}$ Low (1-6 Wait States)	$t_{CLDTKL}$	—	30	ns
160	$\overline{AS}$ Low to $\overline{CS}$ Low	$t_{ASLCSL}$	—	30	ns
161	$\overline{AS}$ High to $\overline{CS}$ High	$t_{ASHCSH}$	—	30	ns
162	Address Valid to $\overline{AS}$ Low	$t_{AVASL}$	15	—	ns
163	$R/\overline{W}$ Valid to $\overline{AS}$ Low (see Note 1)	$t_{RWVASL}$	15	—	ns
164	$\overline{AS}$ Negated to Address Hold Time	$t_{ASHAI}$	0	—	ns
165	$\overline{AS}$ Low to $\overline{DTACK}$ Low (0 Wait State)	$t_{ASLDTKL}$	—	45	ns
167	$\overline{AS}$ High to $\overline{DTACK}$ High	$t_{ASHDTKH}$	—	30	ns
168	$\overline{AS}$ Low to $\overline{BERR}$ Low (see Note 2)	$t_{ASLBERL}$	—	30	ns
169	$\overline{AS}$ High to $\overline{BERR}$ High Impedance (see Notes 2 and 3)	$t_{ASHBERH}$	—	30	ns

NOTES:

1. The minimum value must be met to guarantee write protection operation.
2. This specification is valid when the ADCE or WPVE bits in the SCR are set.
3. Also applies after a timeout of the hardware watchdog.



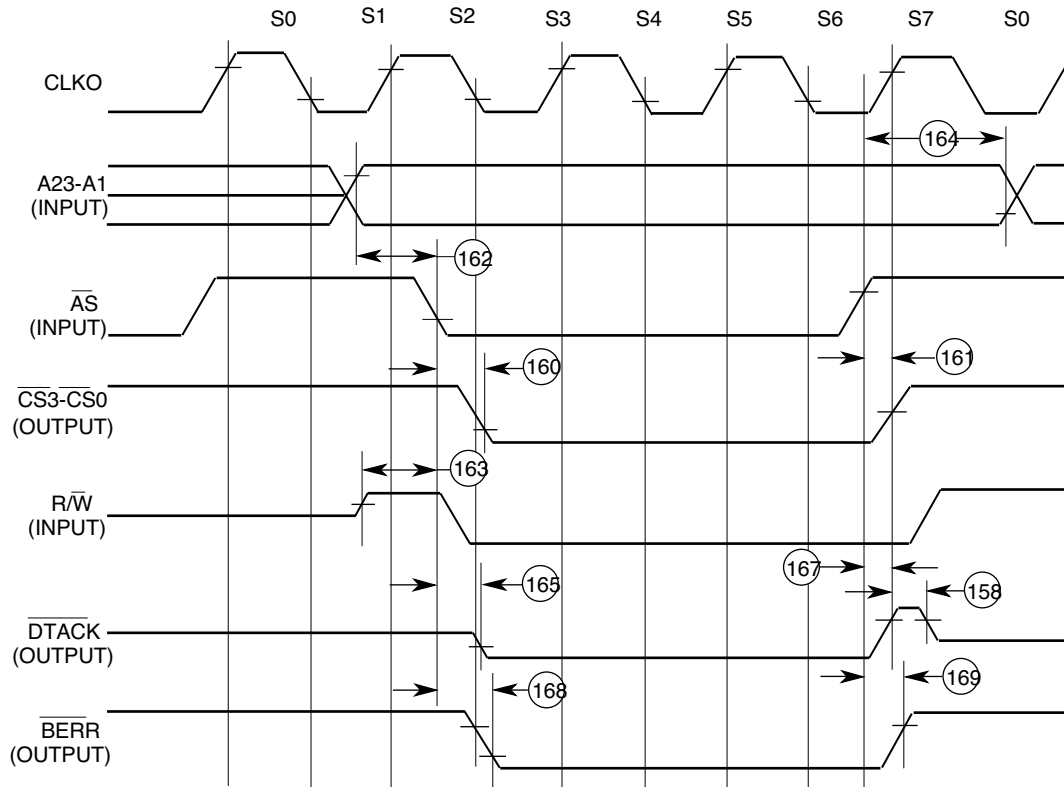


Figure 6-14. External Master Chip-Select Timing Diagram

### 6.15 AC ELECTRICAL SPECIFICATIONS—PARALLEL I/O

(see Figure 6-15)

		16.67 MHz			
Num.	Characteristic	Symbol	Min	Max	Unit
180	Input Data Setup Time (to Clock Low)	$t_{DSU}$	20	—	ns
181	Input Data Hold Time (from Clock Low)	$t_{DH}$	10	—	ns
182	Clock High to Data-out Valid (CPU Writes Data, Control, or Direction)	$t_{CHDOV}$	—	35	ns

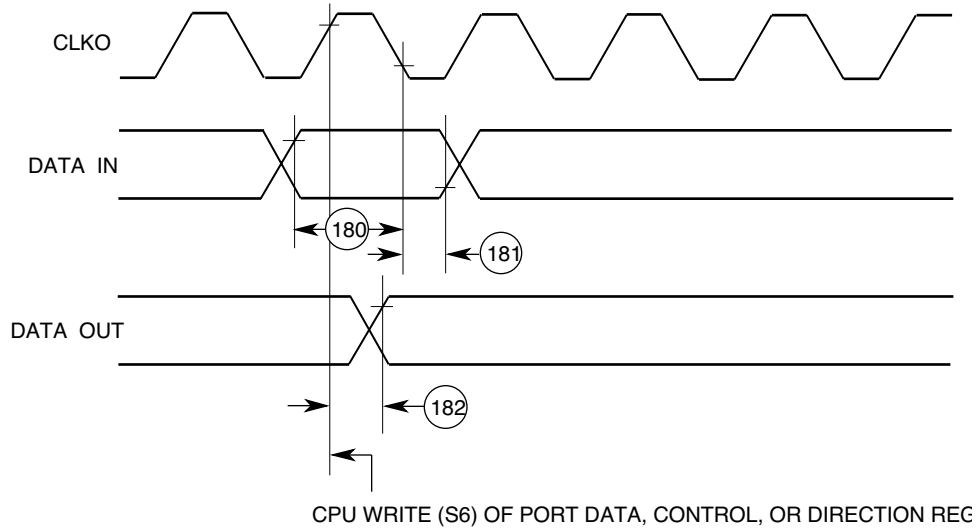


Figure 6-15. Parallel I/O Data-In/Data-Out Timing Diagram

### 6.16 AC ELECTRICAL SPECIFICATIONS—INTERRUPTS

(see Figure 6-16)

Num.	Characteristic	Symbol	16.67 MHz		Unit
			Min	Max	
190	Interrupt Pulse Width Low $\overline{IRQ}$ (Edge Triggered Mode) or PB8-11	$t_{PW}$	50	—	ns
191	Minimum Time Between Active Edges	$t_{AEMT}$	3	—	clk

NOTE: Setup time for the asynchronous inputs  $\overline{IPL2}$ – $\overline{IPL0}$  and  $\overline{AVEC}$  guarantees their recognition at the next falling edge of the clock.

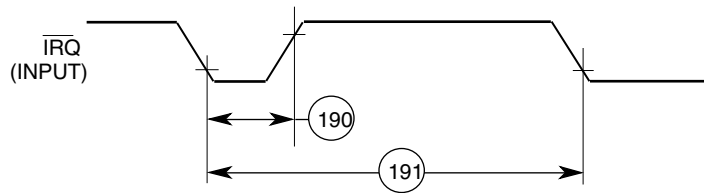


Figure 6-16. Interrupts Timing Diagram

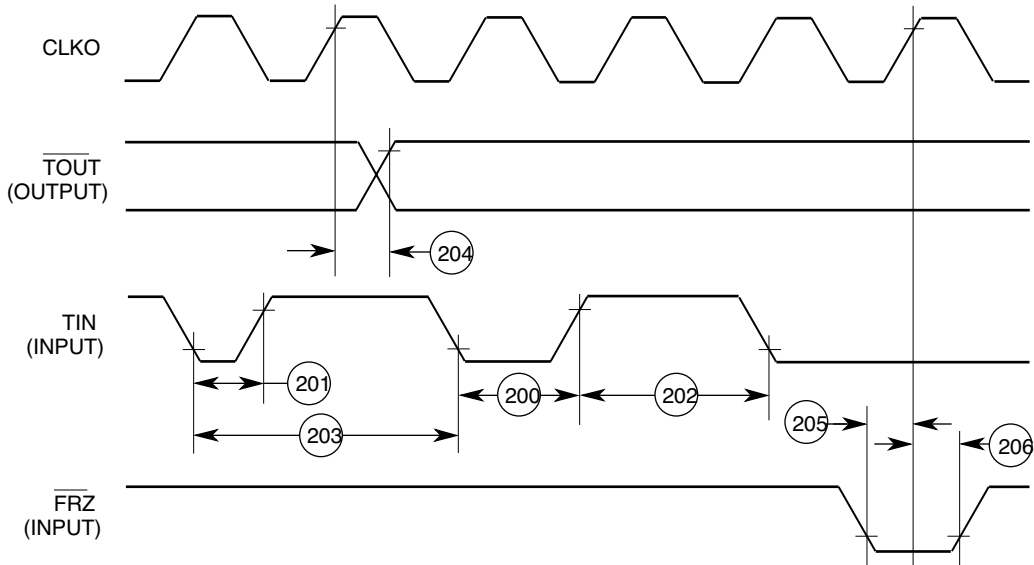
## 6.17 AC ELECTRICAL SPECIFICATIONS—TIMERS

(see Figure 6-17)

Num.	Characteristic	Symbol	16.67 MHz		Unit
			Min	Max	
200	Timer Input Capture Pulse Width	$t_{TPW}$	50	—	ns
201	TIN Clock Low Pulse Width	$t_{TICLT}$	50	—	ns
202	TIN Clock High Pulse Width and Input Capture High Pulse Width	$t_{TICHT}$	2	—	clk
203	TIN Clock Cycle Time	$t_{cyc}$	3	—	clk
204	Clock High to TOUT Valid	$t_{CHTOV}$	—	35	ns
205	$\overline{FRZ}$ Input Setup Time (to Clock High) (see Note 1)	$t_{FRZSU}$	20	—	ns
206	$\overline{FRZ}$ Input Hold Time (from Clock High)	$t_{FRZHT}$	10	—	ns

**NOTES:**

1.  $\overline{FRZ}$  should be negated during total system reset.
2. The TIN specs above do not apply to the use of TIN1 as a baud rate generator input clock. In such a case, specifications 1–3 may be used.



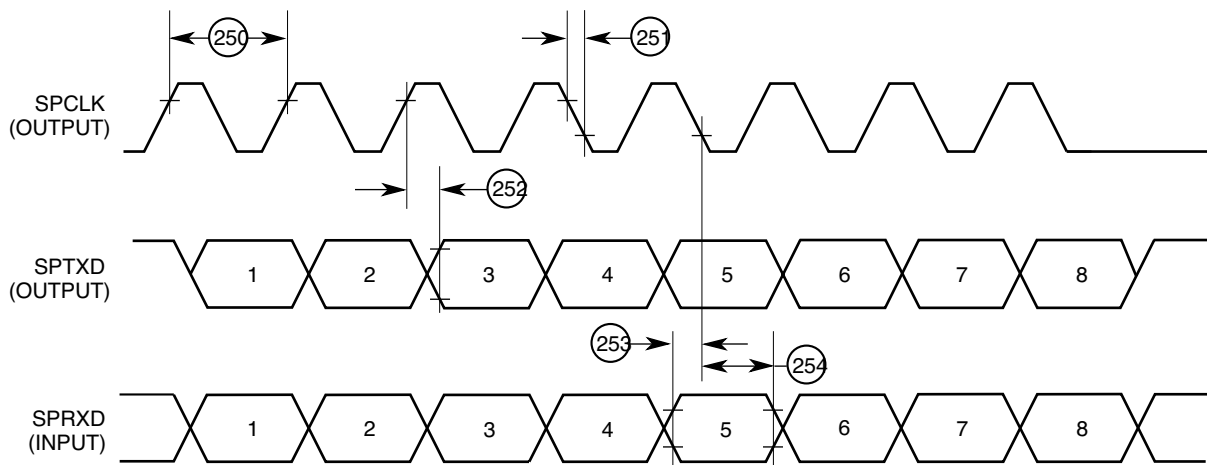
**Figure 6-17. Timers Timing Diagram**

**6.18 AC ELECTRICAL SPECIFICATIONS—SERIAL COMMUNICATIONS PORT** (see Figure 6-18).

Num.	Characteristic	16.67 MHz		Unit
		Min	Max	
250	SPCLK Clock Output Period	4	64	clks
251	SPCLK Clock Output Rise/Fall Time	0	15	ns
252	Delay from SPCLK to Transmit (see Note 1)	0	40	ns
253	SCP Receive Setup Time (see Note 1)	40	—	ns
254	SCP Receive Hold Time (see Note 1)	10	—	ns

NOTES:

1. This also applies when SPCLK is inverted by CI in the SPMODE register.
2. The enable signals for the slaves may be implemented by the parallel I/O pins.



**Figure 6-18. Serial Communication Port Timing Diagram**

## 6.19 AC ELECTRICAL SPECIFICATIONS—IDL TIMING

(All timing measurements, unless otherwise specified, are referenced to the L1CLK at 50% point of  $V_{DD}$ ) (see Figure 6-19).

Num.	Characteristic	16.67 MHz		Unit
		Min	Max	
260	L1CLK (IDL Clock) Frequency (see Note 1)	—	6.66	MHz
261	L1CLK Width Low	55	—	ns
262	L1CLK Width High (see Note 3)	P+10	—	ns
263	L1TXD, L1RQ, SDS1–SDS2 Rising/Falling Time	—	20	ns
264	L1SY1 (sync) Setup Time (to L1CLK Falling Edge)	30	—	ns
265	L1SY1 (sync) Hold Time (from L1CLK Falling Edge)	50	—	ns
266	L1SY1 (sync) Inactive Before 4th L1CLK	0	—	ns
267	L1TxD Active Delay (from L1CLK Rising Edge)	0	75	ns
268	L1TxD to High Impedance (from L1CLK Rising Edge) (see Note 2)	0	50	ns
269	L1RxD Setup Time (to L1CLK Falling Edge)	50	—	ns
270	L1RxD Hold Time (from L1CLK Falling Edge)	50	—	ns
271	Time Between Successive IDL syncs	20	—	L1CLK
272	L1RQ Valid before Falling Edge of L1SY1	1	—	L1CLK
273	L1GR Setup Time (to L1SY1 Falling Edge)	50	—	ns
274	L1GR Hold Time (from L1SY1 Falling Edge)	50	—	ns
275	SDS1–SDS2 Active Delay from L1CLK Rising Edge	10	75	ns
276	SDS1–SDS2 Inactive Delay from L1CLK Falling Edge	10	75	ns

**NOTES:**

1. The ratio CLKO/L1CLK must be greater than 2.5/1.
2. High impedance is measured at the 30% and 70% of  $V_{DD}$  points, with the line at  $V_{DD}/2$  through 10K in parallel with 130 pF.
3. Where  $P = 1/CLKO$ . Thus, for a 16.67-MHz CLKO rate,  $P = 60$  ns.

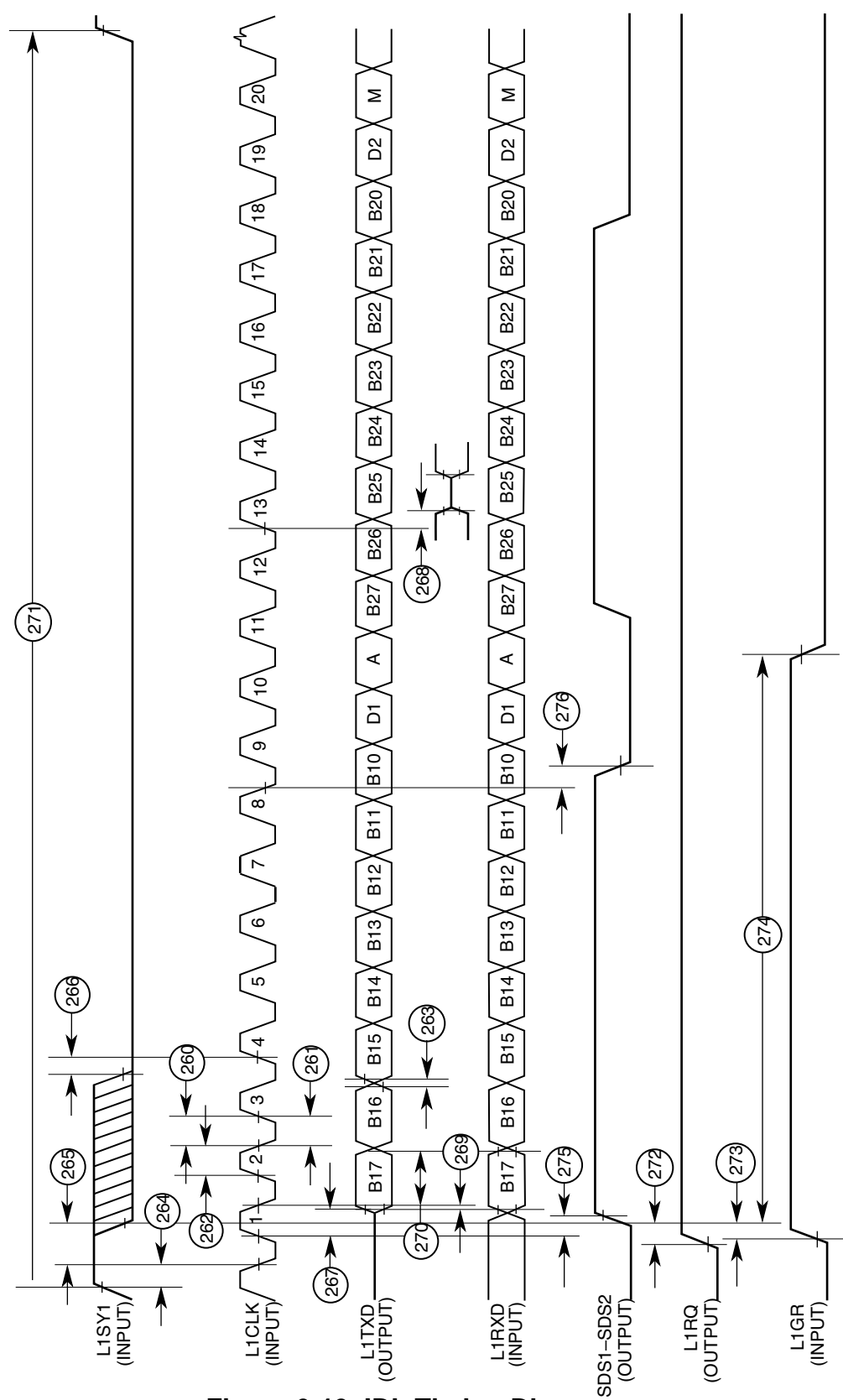


Figure 6-19. IDL Timing Diagram

## 6.20 AC ELECTRICAL SPECIFICATIONS—GCI TIMING

GCI supports the NORMAL mode and the GCI channel 0 (GCN0) in MUX mode. Normal mode uses 512 kHz clock rate (256K bit rate). MUX mode uses 256 x n - 3088 kbs (clock rate is data rate x 2). The ratio CLKO/L1CLK must be greater than 2.5/1 (see Figure 6-20).

Num.	Characteristic	16.67 MHz		Unit
		Min	Max	
	L1CLK GCI Clock Frequency (Normal Mode) (see Note 1)	—	512	kHz
280	L1CLK Clock Period Normal Mode (see Note 1)	1800	2100	ns
281	L1CLK Width Low/High Normal Mode	840	1450	ns
282	L1CLK Rise/Fall Time Normal Mode (see Note 4)	—	—	ns
	L1CLK (GCI Clock) Frequency (MUX Mode) (see Note 1)	—	6.668	MHz
280	L1CLK Clock Period MUX Mode (see Note 1)	150	—	ns
281	L1CLK Width Low MUX Mode	55	—	ns
281A	L1CLK Width High MUX Mode (see Note 5)	P+10	—	ns
282	L1CLK Rise/Fall Time MUX Mode (see Note 4)	—	—	ns
283	L1SY1 Sync Setup Time to L1CLK Falling Edge	30	—	ns
284	L1SY1 Sync Hold Time from L1CLK Falling Edge	50	—	ns
285	L1TxD Active Delay (from L1CLK Rising Edge) (see Note 2)	0	100	ns
286	L1TxD Active Delay (from L1SY1 Rising Edge) (see Note 2)	0	100	ns
287	L1RxD Setup Time to L1CLK Rising Edge	20	—	ns
288	L1RxD Hold Time from L1CLK Rising Edge	50	—	ns
289	Time Between Successive L1SY1in	Normal SCIT Mode 64 192	— —	L1CLK L1CLK
290	SDS1–SDS2 Active Delay from L1CLK Rising Edge (see Note 3)	10	90	ns
291	SDS1–SDS2 Active Delay from L1SY1 Rising Edge (see Note 3)	10	90	ns
292	SDS1–SDS2 Inactive Delay from L1CLK Falling Edge	10	90	ns
293	GCIDCL (GCI Data Clock) Active Delay	0	50	ns

**NOTES:**

1. The ratio CLKO/L1CLK must be greater than 2.5/1.
2. Condition  $C_L = 150$  pF. L1TD becomes valid after the L1CLK rising edge or L1SY1, whichever is later.
3. SDS1–SDS2 become valid after the L1CLK rising edge or L1SY1, whichever is later.
4. Schmitt trigger used on input buffer.
5. Where  $P = 1/CLKO$ . Thus, for a 16.67-MHz CLKO rate,  $P = 60$  ns.

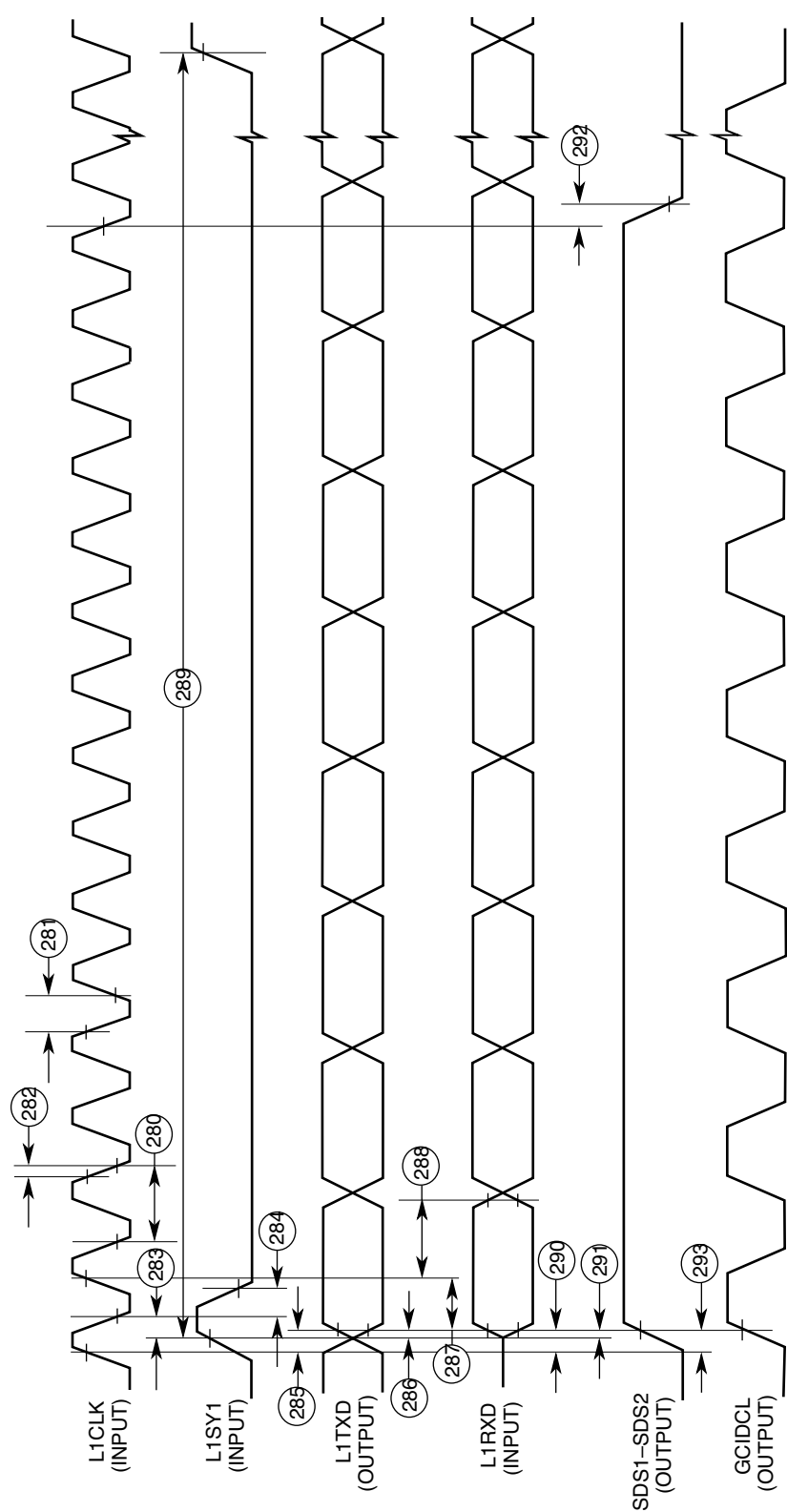


Figure 6-20. GCI Timing Diagram



## 6.21 AC ELECTRICAL SPECIFICATIONS—PCM TIMING

There are two sync types:

Short Frame—Sync signals are one clock cycle prior to the data

Long Frame—Sync signals are N-bits that envelope the data,  $N > 0$ ; see Figure 6-21 and Figure 6-22).

Num.	Characteristic	16.67 MHz		Unit
		Min	Max	
300	L1CLK (PCM Clock) Frequency (see Note 1)	—	6.66	MHz
301	L1CLK Width Low	55	—	ns
301A	L1CLK Width High (see Note 4)	P+10	—	ns
302	L1SY0–L1SY1 Setup Time to L1CLK Rising Edge	0	—	ns
303	L1SY0–L1SY1 Hold Time from L1CLK Falling Edge	40	—	ns
304	L1SY0–L1SY1 Width Low	1	—	L1CLK
305	Time Between Successive Sync Signals (Short Frame)	8	—	L1CLK
306	L1TxD Data Valid after L1CLK Rising Edge (see Note 2)	0	70	ns
307	L1TxD to High Impedance (from L1CLK Rising Edge)	0	50	ns
308	L1RxD Setup Time (to L1CLK Falling Edge) (see Note 3)	20	—	ns
309	L1RxD Hold Time (from L1CLK Falling Edge) (see Note 3)	50	—	ns

**NOTES:**

1. The ratio CLK/L1CLK must be greater than 2.5/1.
2. L1TxD becomes valid after the L1CLK rising edge or the sync enable, whichever is later, if long frames are used. This note should only be used if the user can guarantee that only one sync pin (L1SY0 and L1SY1) is changed simultaneously in the selection and de-selection of the desired PCM channel time slot. A safe example of this is using only PCM CH-1. Another example is using CH-1 and CH-2 only, where CH-1 and CH-2 are not contiguous on the PCM highway.
3. Specification valid for both sync methods.
4. Where  $P = 1/CLKO$ . Thus, for a 16.67-MHz CLKO rate,  $P = 60$  ns.

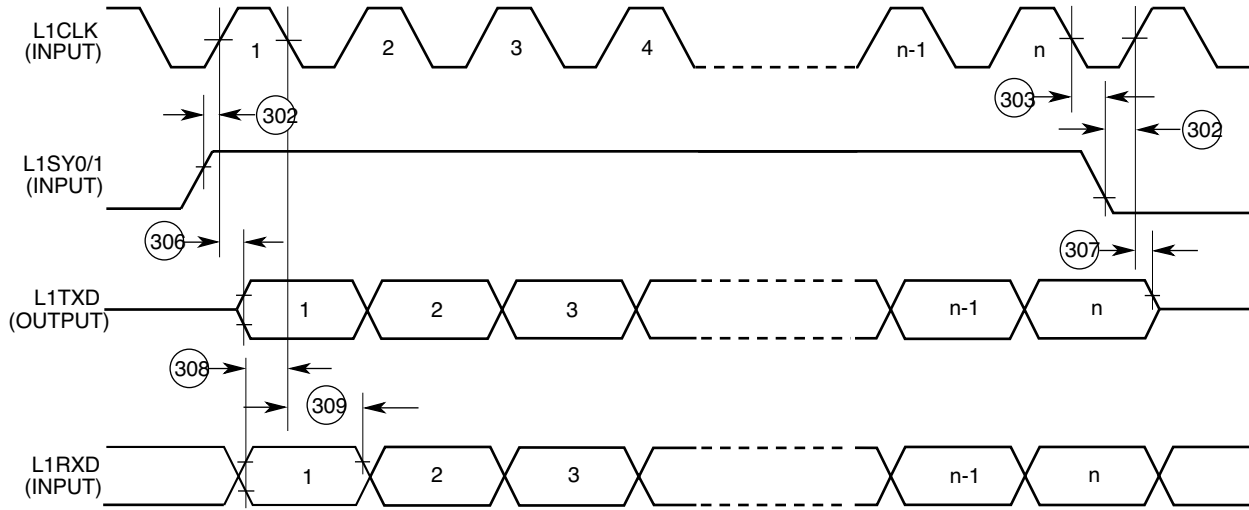
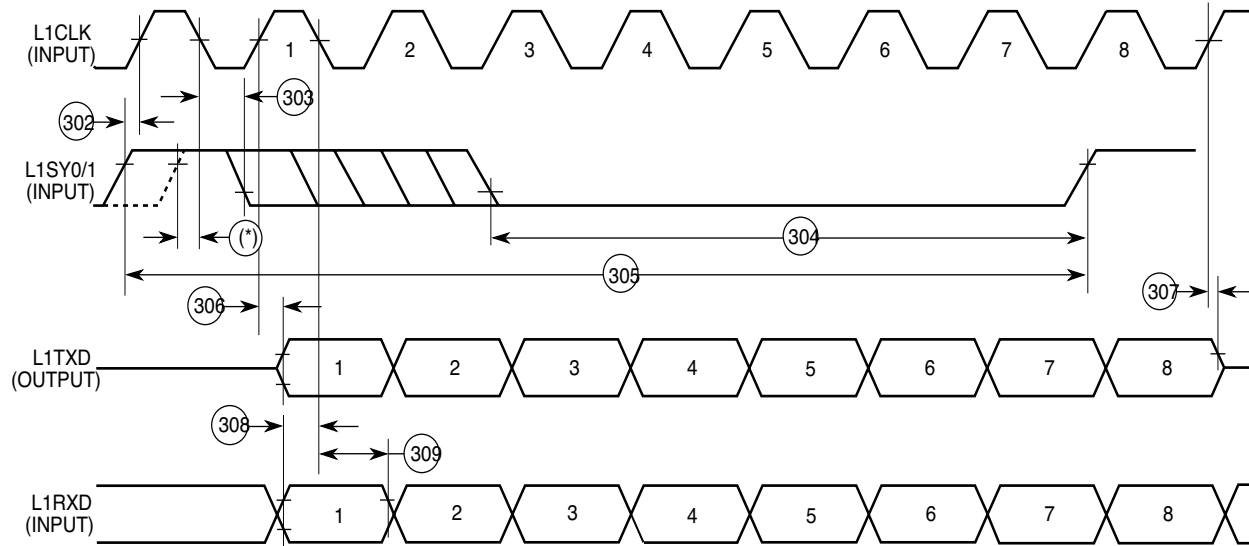


Figure 6-21. PCM Timing Diagram (SYNC Envelopes Data)



NOTE: (\*) If L1SYn is guaranteed to make a smooth low to high transition (no spikes) while the clock is high, setup time can be defined as shown (min 20 ns).

Figure 6-22. PCM Timing Diagram (SYNC Prior to 8-Bit Data)

## 6.22 AC ELECTRICAL SPECIFICATIONS—NMSI TIMING

The NMSI mode uses two clocks, one for receive and one for transmit. Both clocks can be internal or external. When the clock is internal, it is generated by the internal baud rate generator and it is output on TCLK or RCLK. All the timing is related to the external clock pin. The timing is specified for NMSI1. It is also valid for NMSI2 and NMSI3 (see Figure 6-23).

Num.	Characteristic	16.67 MHz		16.67 MHz		Unit
		Internal Clock		External Clock		
		Min	Max	Min	Max	
315	RCLK1 and TCLK1 Frequency (see Note 1)	—	5.55	—	6.668	MHz
316	RCLK1 and TCLK1 Low (see Note 4)	65	—	P+10	—	ns
316a	RCLK1 and TCLK1 High	65	—	55	—	ns
317	RCLK1 and TCLK1 Rise/Fall Time (see Note 3)	—	20	—	—	ns
318	TXD1 Active Delay from TCLK1 Falling Edge	0	40	0	70	ns
319	RTS1 Active/Inactive Delay from TCLK1 Falling Edge	0	40	0	100	ns
320	CTS1 Setup Time to TCLK1 Rising Edge	50	—	10	—	ns
321	RXD1 Setup Time to RCLK1 Rising Edge	50	—	10	—	ns
322	RXD1 Hold Time from RCLK1 Rising Edge (see Note 2)	10	—	50	—	ns
323	CD1 Setup Time to RCLK1 Rising Edge	50	—	10	—	ns

**NOTES:**

1. The ratio CLKO/TCLK1 and CLKO/RCLK1 must be greater than or equal to 2.5/1 for external clock. The input clock to the baud rate generator may be either an internal clock or TIN1, and may be as fast as EXTAL. However, the output of the baud rate generator must provide a CLKO/TCLK1 and CLKO/RCLK1 ratio greater than or equal to 3/1. In asynchronous mode (UART), the bit rate is 1/16 of the TCLK1/RCLK1 clock rate.
2. Also applies to  $\overline{CD}$  hold time when  $\overline{CD}$  is used as an external sync in BISYNC or totally transparent mode.
3. Schmitt triggers used on input buffers.
4. Where  $P = 1/CLKO$ . Thus, for a 16.67-MHz CLKO rate,  $P = 60$  ns.

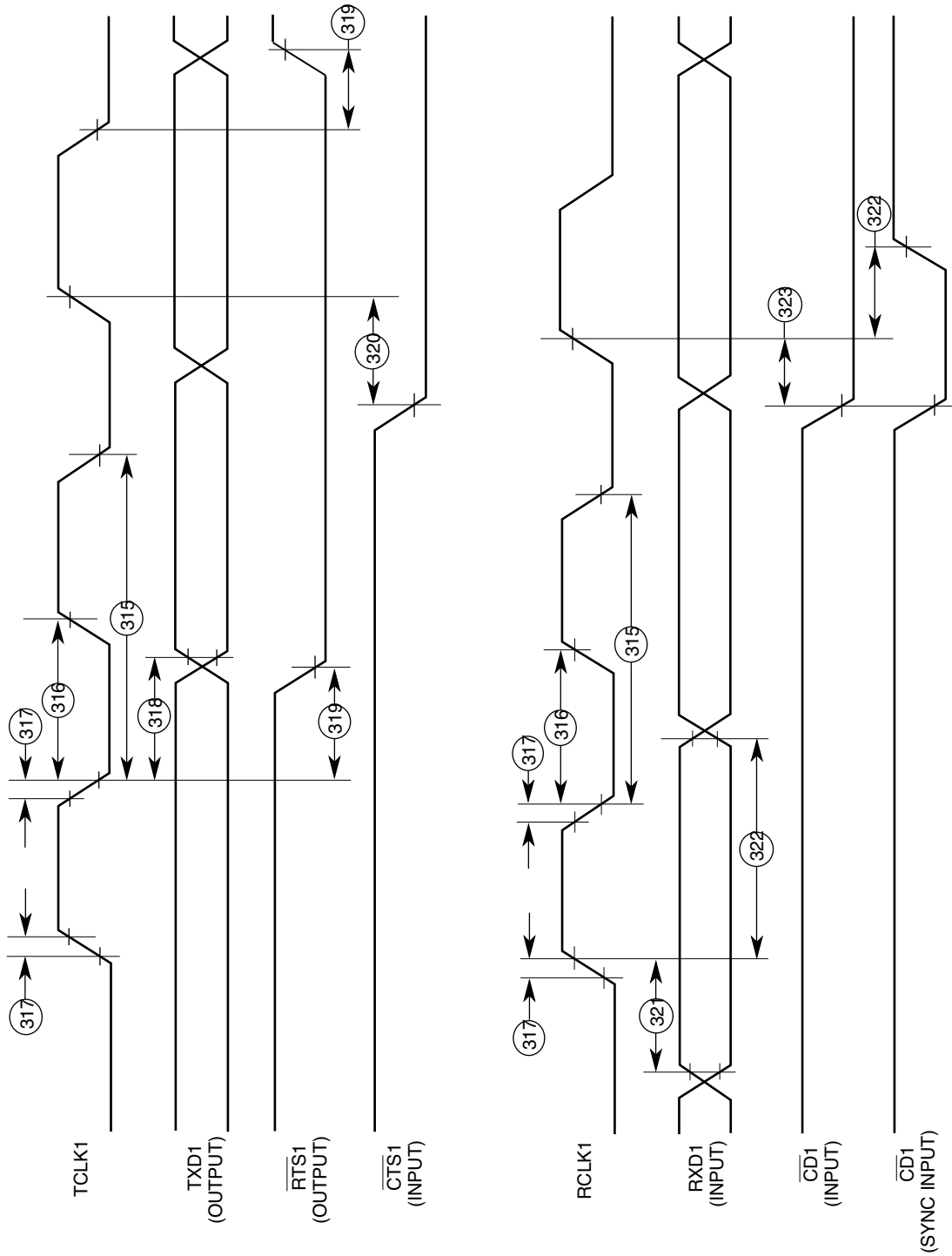


Figure 6-23. NMSI Timing Diagram

**Home Page:**

[www.freescale.com](http://www.freescale.com)

**email:**

[support@freescale.com](mailto:support@freescale.com)

**USA/Europe or Locations Not Listed:**

Freescale Semiconductor  
 Technical Information Center, CH370  
 1300 N. Alma School Road  
 Chandler, Arizona 85224  
 (800) 521-6274  
 480-768-2130

[support@freescale.com](mailto:support@freescale.com)

**Europe, Middle East, and Africa:**

Freescale Halbleiter Deutschland GmbH  
 Technical Information Center  
 Schatzbogen 7  
 81829 Muenchen, Germany  
 +44 1296 380 456 (English)  
 +46 8 52200080 (English)  
 +49 89 92103 559 (German)  
 +33 1 69 35 48 48 (French)

[support@freescale.com](mailto:support@freescale.com)

**Japan:**

Freescale Semiconductor Japan Ltd.  
 Headquarters  
 ARCO Tower 15F  
 1-8-1, Shimo-Meguro, Meguro-ku  
 Tokyo 153-0064, Japan  
 0120 191014  
 +81 2666 8080

[support.japan@freescale.com](mailto:support.japan@freescale.com)

**Asia/Pacific:**

Freescale Semiconductor Hong Kong Ltd.  
 Technical Information Center  
 2 Dai King Street  
 Tai Po Industrial Estate,  
 Tai Po, N.T., Hong Kong  
 +800 2666 8080

[support.asia@freescale.com](mailto:support.asia@freescale.com)

**For Literature Requests Only:**

Freescale Semiconductor  
 Literature Distribution Center  
 P.O. Box 5405  
 Denver, Colorado 80217  
 (800) 441-2447  
 303-675-2140

Fax: 303-675-2150

[LDCForFreescaleSemiconductor@hibbertgroup.com](mailto:LDCForFreescaleSemiconductor@hibbertgroup.com)

Information in this document is provided solely to enable system and software implementers to use Freescale Semiconductor products. There are no express or implied copyright licenses granted hereunder to design or fabricate any integrated circuits or integrated circuits based on the information in this document. Freescale Semiconductor reserves the right to make changes without further notice to any products herein. Freescale Semiconductor makes no warranty, representation or guarantee regarding the suitability of its products for any particular purpose, nor does Freescale Semiconductor assume any liability arising out of the application or use of any product or circuit, and specifically disclaims any and all liability, including without limitation consequential or incidental damages. "Typical" parameters which may be provided in Freescale Semiconductor data sheets and/or specifications can and do vary in different applications and actual performance may vary over time. All operating parameters, including "Typicals" must be validated for each customer application by customer's technical experts. Freescale Semiconductor does not convey any license under its patent rights nor the rights of others. Freescale Semiconductor products are not designed, intended, or authorized for use as components in systems intended for surgical implant into the body, or other applications intended to support or sustain life, or for any other application in which the failure of the Freescale Semiconductor product could create a situation where personal injury or death may occur. Should Buyer purchase or use Freescale Semiconductor products for any such unintended or unauthorized application, Buyer shall indemnify and hold Freescale Semiconductor and its officers, employees, subsidiaries, affiliates, and distributors harmless against all claims, costs, damages, and expenses, and reasonable attorney fees arising out of, directly or indirectly, any claim of personal injury or death associated with such unintended or unauthorized use, even if such claim alleges that Freescale Semiconductor was negligent regarding the design or manufacture of the part.

