

## APPENDIX A

### MC68LC040

#### NOTE

Rev. 2.2 contains timing information for 40 MHz operation. Refer to chang bars. Some TBD values will be filled in shortly.

All references to MC68LC040 also apply to the MC68040V. Refer to **Appendix C MC68040V and MC68EC040V** for more information on the MC68040V.

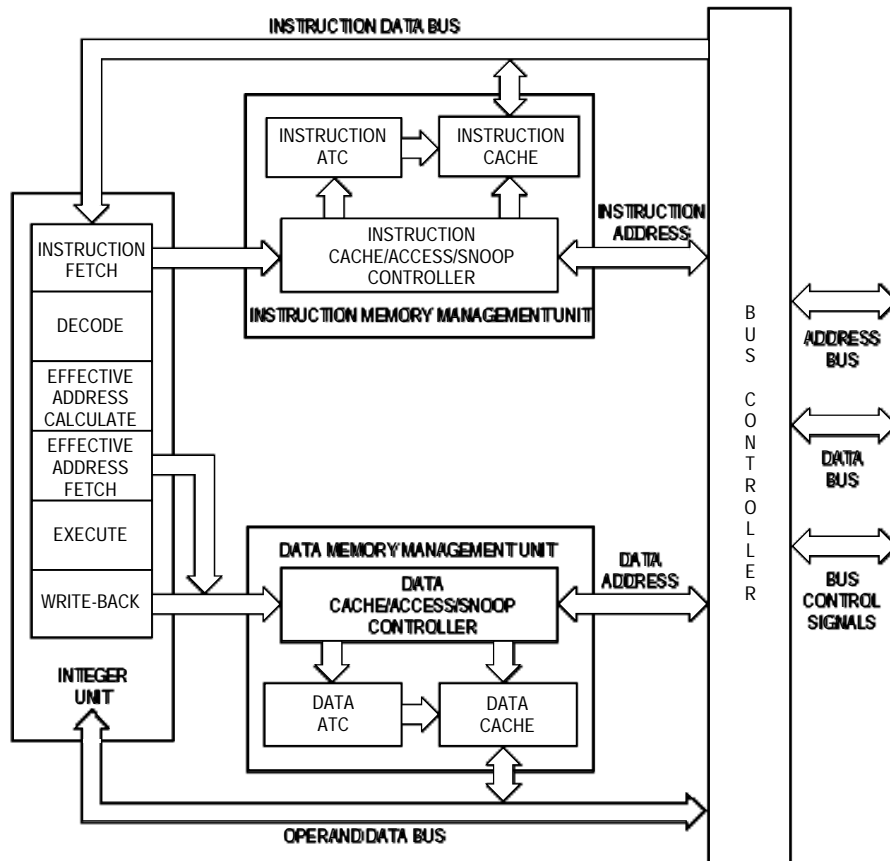
The MC68LC040 is Motorola's integer-only version of the MC68040 third-generation, M68000-compatible, high-performance, 32-bit microprocessor. The MC68LC040 is a virtual memory microprocessor with a highly integrated architecture that provides very high performance in a monolithic HCMOS device. On a single chip, the MC68LC040 integrates an MC68040-compatible integer unit and fully independent instruction and data demand-paged memory management units (MMUs), including independent 4-Kbyte instruction and data caches. A high degree of instruction execution parallelism is achieved through the use of a six-stage instruction pipeline, multiple internal buses, and a full internal Harvard architecture, including separate physical caches for both instruction and data accesses. The MC68LC040 also directly supports cache coherency in multimaster applications with dedicated on-chip bus snooping logic.

The MC68LC040 achieves its high performance through the use of the MC68040 integer unit. The six-stage pipeline operates on up to six instructions concurrent with MMU, cache, and bus controller operations. Multiple internal buses, separate data and instruction caches, and a sophisticated bus controller allow internal units to operate concurrently and decouple the MC68LC040 from the external bus. The internal caches and the decoupling of the external bus allow for an external memory subsystem to be built from slower and less expensive memories with minimal impact to the overall system performance. The potential for a low-cost system design with the price/performance of the MC68LC040 makes it a good choice for embedded microprocessor applications as well as central processor applications.

The MC68LC040 is user-object-code compatible with previous members of the M68000 family and is specifically optimized to reduce the execution time of compiler-generated code. The high level of performance is ideal for integer-intensive applications. The MC68LC040 is implemented in Motorola's latest HCMOS technology, providing an ideal balance between speed, power, and physical device size. Independent data and instruction MMUs control the main caches and the address translation caches (ATCs). The ATCs speed up logical-to-physical address translations by storing recently used translations. The bus snooper circuit ensures cache coherency in multimaster and multiprocessing applications. The

**MC68LC040 REV2.2 (11/02/99)**

MC68LC040 is pin compatible with the MC68040 and the MC68EC040. Figure A-1 illustrates a simplified block diagram of the MC68LC040.



**Figure A-1. MC68LC040 Block Diagram**

The main features of the MC68LC040 include:

- 22 MIPS Integer Performance at 25 MHz
- Independent Instruction and Data MMUs
- 4-Kbyte Physical Instruction Cache and 4-Kbyte Physical Data Cache Accessible Simultaneously
- 32-Bit, Nonmultiplexed External Address and Data Buses with Synchronous Interface
- User-Object-Code Compatible with All M68000 Microprocessors
- Multimaster/Multiprocessor Support Via Bus Snooping
- Concurrent Integer Unit, MMU, Bus Controller, and Bus Snooper Operation Maximizes Throughput

- 4-Gbyte Direct Addressing Range
- Software Support Including Optimizing C Compiler and UNIX<sup>®</sup> System V Port

With the exception of the floating-point unit (FPU) and its registers, the MC68LC040 programming model, data formats and types, instruction set (except all instructions beginning with an “F”), caches, and MMUs are the same as those described in **Section 1 Introduction** for the MC68040. Figures A-2 and A-3 illustrate the programming model and functional signal groups for the MC68LC040.

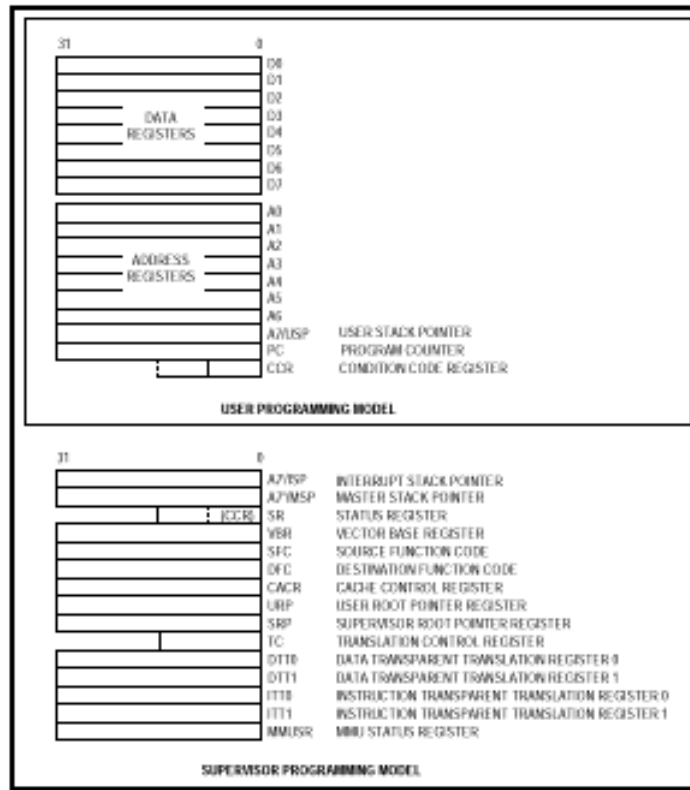


Figure A-2. MC68LC040 Programming Model

<sup>®</sup>UNIX is a registered trademark of AT&T Bell Laboratories.

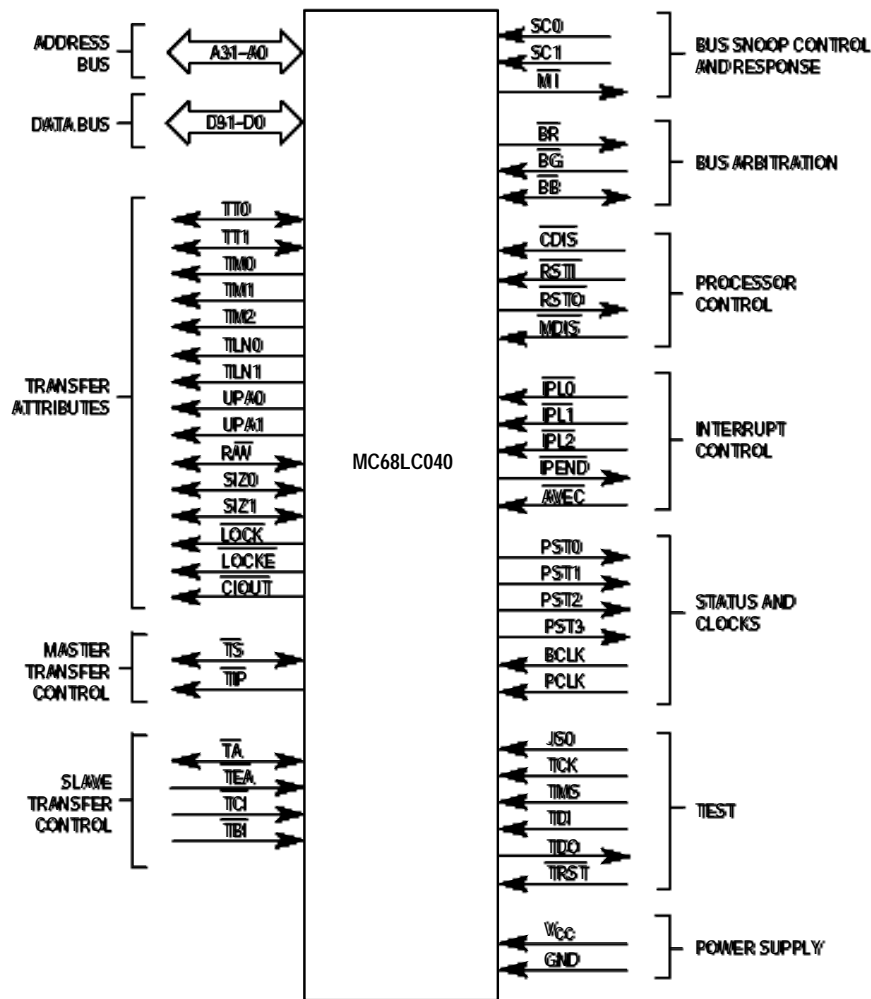


Figure A-3. MC68LC040 Functional Signal Groups

### A.1 MC68LC040 DIFFERENCES

The following differences exist between the MC68LC040 and MC68040:

- The MC68LC040 does not implement the small output buffer impedance selection mode.
- The DLE pin name has been changed to JS0
- The MC68LC040 does not implement the data latch (DLE) or multiplexed bus modes of operation. All timing and drive capabilities of the MC68LC040 are equivalent to those of the MC68040 in small output buffer impedance mode.
- The MC68LC040 does not contain an FPU, which causes unimplemented floating-point exceptions to occur using a new eight-word stack frame format.

## A.2 INTERRUPT PRIORITY LEVEL ( $\overline{\text{IPL2}}$ – $\overline{\text{IPL0}}$ )

The  $\overline{\text{IPL2}}$ – $\overline{\text{IPL0}}$  pins do not have any affect on the selection of output buffer impedance.

## A.3 JTAG SCAN (JS0)

The MC68040 DLE pin name has been changed to JS0. During normal operation, the JS0 pin cannot float, it must be tied to GND or Vcc directly or through a resistor. During board testing, this pin retains the functionality of the JTAG scan of the MC68040 for compatibility purposes. Refer to **Section 6 IEEE 1149.1A Test Access Port (JTAG)** for details concerning IEEE 1149.1 *Standard Test Access Port and Boundary Scan Architecture*.

## A.4 DATA LATCH AND MULTIPLEXED BUS MODES

The MC68LC040 does not implement the data latch or multiplexed modes of operation. The  $\overline{\text{CDIS}}$  pin is ignored at the rising edge of reset. All timing and drive capabilities of the MC68LC040 are equivalent to those of the MC68040 in small output buffer impedance mode.

## A.5 FLOATING-POINT UNIT (FPU)

The FPU is not implemented on the MC68LC040. All floating-point instructions cause an unimplemented floating-point exception to be taken with a new eight-word stack frame (format \$4). The stack frame contains the status register (SR), program counter (PC), vector offset, effective address of the operand (where applicable), and PC value of the unimplemented floating-point instruction.

### A.5.1 Unimplemented Floating-Point Instructions and Exceptions

All legal MC68040 and MC68881/MC68882 floating-point instructions are defined as unimplemented floating-point instructions on the MC68LC040. These instructions generate a format \$4 stack frame during exception processing before taking an F-line exception. These instructions trap as an F-line exception, and the F-line exception handler can emulate them in software to maintain user-object-code compatibility.

The MC68LC040 assists the emulation process by distinguishing unimplemented floating-point instructions from other unimplemented F-line instructions. To aid emulation, the effective address is calculated and saved in the format \$4 stack frame. This simplifies and speeds up the emulation process by eliminating the need for the emulation routine to determine the effective address and by providing information required to emulate the instruction on the exception stack frame in the supervisor address space. However, the floating-point instruction can reside in user space; therefore, the floating-point unimplemented exception handler may need to access user instruction space. The following processing steps occur for an unimplemented floating-point instruction:

1. When an unimplemented floating-point instruction is encountered, the instruction is partially decoded, and the effective address is calculated, if required.
2. The processor waits for all previous integer instructions, write-backs, and associated exception processing to complete before beginning exception processing for the unimplemented floating-point instruction. Any access error that occurs in completing the write-backs causes an access error exception, and the resulting stack frame indicates

a pending unimplemented floating-point instruction exception. The access error exception handler then completes the write-backs in software, and exception processing for the unimplemented floating-point instruction exception begins immediately after return from the access error handler.

3. The processor begins exception processing for the unimplemented floating-point instruction by making an internal copy of the current SR. The processor then enters the supervisor mode and clears the trace bits (T1 and T0). It creates a format \$4 stack frame and saves the internal copy of the SR, PC, vector offset, calculated effective address, and PC value of the faulted instruction in the stack frame.

The effective address field of the format \$4 stack frame contains the calculated effective address of the operand for the faulted floating-point instruction using the addressing mode in which the effective address is calculated. For immediate and register direct addressing modes, this field is \$0. The saved PC value is the logical address of the instruction that follows the unimplemented floating-point instruction. This value will be restored during RTE execution. The vector offset format number (\$4) is used for this eight-word stack frame. Note that an MC68040 cannot correctly handle a stack format \$4. The PC of the faulted instruction contains a long-word PC of the floating-point instruction that caused the trap to occur. The information is provided so that the instruction is available for software emulation of floating-point instructions. The processor generates exception vector number 11 for the unimplemented F-line instruction exception vector, fetches the address of the F-line exception handler from the exception vector table, and begins execution of the handler after prefetching instructions to fill the pipeline. Refer to **Section 8 Exception Processing** for details about exception processing.

### A.5.2 MC68LC040 Stack Frames

When the processor executes an RTE instruction, it examines the stack frame on top of the active supervisor stack to determine if it is a valid frame and what type of context restoration it requires. The MC68LC040 provides five different stack frames for exception processing and allows for an MC68040-specific stack frame. The set of frames includes four- and six-word stack frames, a four-word throwaway stack frame, an access error stack frame, and a new eight-word unimplemented floating-point stack frame. The stack frame that the MC68040 can generate and the MC68LC040 can process is the floating-point post-instruction stack frame. Refer to **Section 8 Exception Processing** for details about exception stack frames.

**Table 12-1. Eight-Word Stack Frame (Format \$4)**

| Stack Frames           | Exception Types   | Stacked PC Points To   |
|------------------------|---|--|
| (UNABLE TO LOCATE ART) | <ul style="list-style-type: none"> <li>The MC68040 cannot generate or read this stack.</li> </ul> | <ul style="list-style-type: none"> <li>Effective address field is the address of the faulted instruction operand.</li> </ul> |

When the MC68LC040 writes or reads a stack frame, it uses long-word operand transfers wherever possible. Using a long-word-aligned stack pointer greatly enhances exception processing performance. The processor does not necessarily read or write the stack frame data in sequential order. The system software should not depend on a particular exception gen-

erating a particular stack frame. For compatibility with future devices, the software should be able to handle any format of stack frame for any type of exception. The MC68LC040 does not generate the floating-point post-instruction stack frame. The MC68040 cannot accept the eight-word unimplemented stack frame. The MC68LC040 can handle all MC68040 stack frame formats.

## A.6 MC68LC040 ELECTRICAL CHARACTERISTICS

The following paragraphs provide information on the maximum rating and thermal characteristics for the MC68LC040. This section is subject to change. For the most recent specifications, contact a Motorola sales office or complete the registration card at the end of this manual.

### A.6.1 Maximum Ratings

| Characteristic                         | Symbol    | Value        | Unit |
|--|-----------|--------------|------|
| Supply Voltage                         | $V_{CC}$  | -0.3 to +7.0 | V    |
| Input Voltage                          | $V_{in}$  | -0.5 to +7.0 | V    |
| Maximum Operating Junction Temperature | $T_J$     | 110          | °C   |
| Minimum Operating Ambient Temperature  | $T_A$     | 0            | °C   |
| Storage Temperature Range              | $T_{stg}$ | -55 to 150   | °C   |

This device contains protective circuitry against damage due to high static voltages or electrical fields; however, it is advised that normal precautions be taken to avoid application of any voltages higher than maximum-rated voltages to this high-impedance circuit. Reliability of operation is enhanced if unused inputs are tied to an appropriate logic voltage level (e.g., either GND or  $V_{CC}$ ).

### A.6.2 Thermal Characteristics

| Characteristic                                   | Symbol        | Value | Rating |
|--|---------------|-------|--------|
| Thermal Resistance, Junction to Case—PGA Package | $\theta_{JC}$ | 3     | °C/W   |

### A.6.3 DC Electrical Specifications ( $V_{CC} = 5.0 \text{ Vdc} \pm 5\%$ )

| Characteristic   | Symbol    | Min | Max      | Unit          |
|--|-----------|-----|----------|---------------|
| Input High Voltage   | $V_{IH}$  | 2   | $V_{CC}$ | V             |
| Input Low Voltage  | $V_{IL}$  | GND | 0.8      | V             |
| Undershoot   | —         | —   | 0.8      | V             |
| Input Leakage Current @ 0.5/2.4 V<br>AVEC, BCLK, BG, CDIS, MDIS, IPLA, PCLK, RSTI, SCx,<br>TBI, TLNx, TCI, TCK, TEA                  | $I_{in}$  | 20  | 20       | $\mu\text{A}$ |
| Hi-Z (Off-State) Leakage Current @ 0.5/2.4 V<br>An, BB, CIOUT, Dn, LOCK, LOCKE, R/W, SIZx, TA, TDO,<br>TIP, TMx, TLNx, TS, TTx, UPAX | $I_{TSI}$ | 20  | 20       | $\mu\text{A}$ |

**MC68LC040 REV2.2 (11/02/99)**

|  |          |       |       |    |
|--|----------|-------|-------|----|
| Signal Low Input Current, $V_{IL} = 0.8\text{ V}$<br>TMS, TDI, $\overline{\text{TRST}}$  | $I_{IL}$ | -1.1  | -0.18 | mA |
| Signal High Input Current, $V_{IH} = 2.0\text{ V}$<br>TMS, TDI, $\overline{\text{TRST}}$ | $I_{IH}$ | -0.94 | -0.16 | mA |
| Output High Voltage, $I_{OH} = 5\text{ mA}$ (Small Buffer Mode)                          | $V_{OH}$ | 2.4   | —     | V  |
| Output Low Voltage, $I_{OL} = 5\text{ mA}$ (Small Buffer Mode)                           | $V_{OL}$ | —     | 0.5   | V  |
| Output High Voltage, $I_{OH} = 55\text{ mA}$ (Large Buffer Mode)                         | $V_{OH}$ | 2.4   | —     | V  |
| Output Low Voltage, $I_{OL} = 55\text{ mA}$ (Large Buffer Mode)                          | $V_{OL}$ | —     | 0.5   | V  |
| Capacitance*, $V_{in} = 0\text{ V}$ , $f = 1\text{ MHz}$                                 | $C_{in}$ | —     | 25    | pF |

\*Capacitance is periodically sampled rather than 100% tested.

**A.6.4 Power Dissipation**

| Frequency   | Watts |
|---|-------|
| <b>Maximum Values (<math>V_{CC} = 5.25\text{ V}</math>, <math>T_A = 0^\circ\text{C}</math>)</b> |       |
| 20 MHz  | 3.2   |
| 25 MHz  | 3.9   |
| 33 MHz  | 4.9   |
| 40 MHz  | TBD   |
| <b>Typical Values (<math>V_{CC} = 5\text{ V}</math>, <math>T_A = 25^\circ\text{C}</math>)*</b>  |       |
| 20 MHz  | 2.0   |
| 25 MHz  | 2.4   |
| 33 MHz  | 3.0   |
| 40 MHz  | TBD   |

\*This information is for system reliability purposes.

**A.6.5 Clock AC Timing Specifications** (see Figure A-4)

| Num | Characteristic                          | 20 MHz |     | 25 MHz |      | 33 MHz |       | 40 MHz |       | Unit |
|-----|---|--------|-----|--------|------|--------|-------|--------|-------|------|
|     |   | Min    | Max | Min    | Max  | Min    | Max   | Min    | Max   |      |
|     | Frequency of Operation                  | 16.67  | 20  | 16.67  | 25   | 16.67  | 33    | 20     | 40    | MHz  |
| 1   | PCLK Cycle Time                         | 25     | 30  | 20     | 30   | 15     | 30    | 12.5   | 25    | nS   |
| 2   | PCLK Rise Time                          | —      | 1.7 | —      | 1.7  | —      | 1.7   | —      | 1.5   | nS   |
| 3   | PCLK Fall Time                          | —      | 1.6 | —      | 1.6  | —      | 1.6   | —      | 1.5   | nS   |
| 4   | PCLK Duty Cycle Measured at 1.5 V       | 48     | 52  | 47.5   | 52.5 | 46.67  | 53.33 | 46.00  | 54.00 | %    |
| 4a* | PCLK Pulse Width High Measured at 1.5 V | 12     | 13  | 9.5    | 10.5 | 7      | 8     | 5.75   | 6.75  | nS   |



|      |   |    |      |     |      |    |      |      |      |     |
|------|---|----|------|-----|------|----|------|------|------|-----|
| 4b*  | PCLK Pulse Width Low Measured at 1.5 V  | 12 | 13   | 9.5 | 10.5 | 7  | 8    | 5.75 | 6.75 | nS  |
| 5    | BCLK Cycle Time                         | 50 | 60   | 40  | 60   | 30 | 60   | 25   | 50   | nS  |
| 6, 7 | BCLK Rise and Fall Time                 | —  | 4    | —   | 4    | —  | 3    | —    | 3    | nS  |
| 8    | BCLK Duty Cycle Measured at 1.5 V       | 40 | 60   | 40  | 60   | 40 | 60   | 40   | 60   | %   |
| 8a*  | BCLK Pulse Width High Measured at 1.5 V | 20 | 30   | 16  | 24   | 12 | 18   | 10   | 15   | nS  |
| 8b*  | BCLK Pulse Width Low Measured at 1.5 V  | 20 | 30   | 16  | 24   | 12 | 18   | 10   | 15   | nS  |
| 9    | PCLK, BCLK Frequency Stability          | —  | 1000 | —   | 1000 | —  | 1000 | —    | 1000 | ppm |
| 10   | PCLK to BCLK Skew                       | —  | 9    | —   | 9    | —  | N/A  | —    | N/A  | nS  |

\*Specification value at maximum frequency of operation.

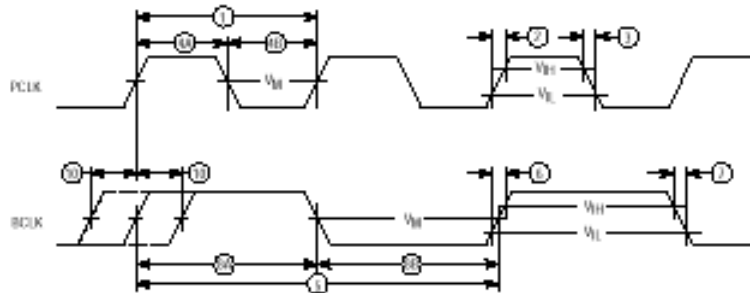


Figure A-4. Clock Input Timing Diagram

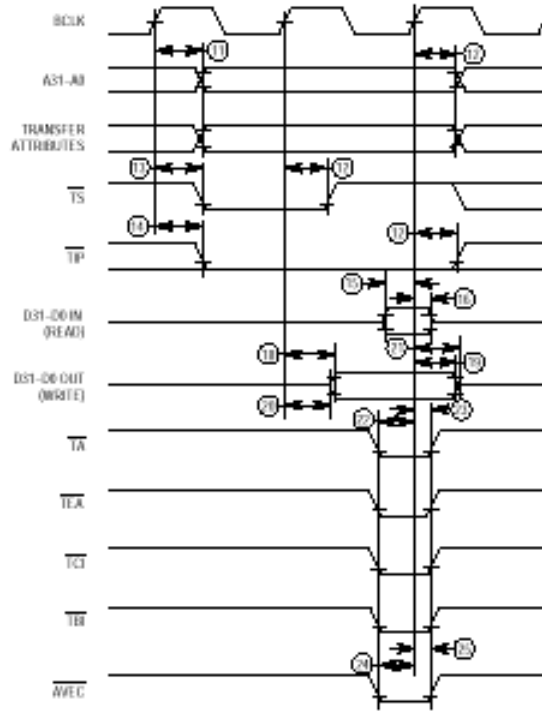
**A.6.6 A.6.7 Output AC Timing Specifications** (see Figures A-5\* to A-9)

| Num | Characteristic   | 20 MHz |     | 25 MHz |     | 33 MHz |     | 40 MHz |      | Unit |
|-----|--|--------|-----|--------|-----|--------|-----|--------|------|------|
|     |  | Min    | Max | Min    | Max | Min    | Max | Max    | Min  |      |
| 11  | BCLK to Address, $\overline{C}IOUT$ , $\overline{LOCK}$ , $\overline{LOCKE}$ , $PSTx$ , $R/\overline{W}$ , $SIZx$ , $TLNx$ , $TMx$ , $TTx$ , $UPAx$ Valid        | 11.5   | 35  | 9      | 30  | 6.5    | 25  | 16     | 5.25 | nS   |
| 12  | BCLK to Output Invalid (Output Hold)   | 11.5   | —   | 9      | —   | 6.5    | —   | —      | 5.25 | nS   |
| 13  | BCLK to $\overline{TS}$ Valid  | 11.5   | 35  | 9      | 30  | 6.5    | 25  | 16     | 5.25 | nS   |
| 14  | BCLK to $\overline{TIP}$ Valid   | 11.5   | 35  | 9      | 30  | 6.5    | 25  | 17     | 5.25 | nS   |
| 18  | BCLK to Data-Out Valid   | 11.5   | 37  | 9      | 32  | 6.5    | 27  | 18     | 5.25 | nS   |
| 19  | BCLK to Data-Out Invalid (Output Hold)   | 11.5   | —   | 9      | —   | 6.5    | —   | —      | 5.25 | nS   |
| 20  | BCLK to Output Low Impedance   | 11.5   | —   | 9      | —   | 6.5    | —   | —      | 5.25 | nS   |
| 21  | BCLK to Data-Out High Impedance  | 11.5   | 25  | 9      | 20  | 6.5    | 17  | 16     | 5.25 | nS   |
| 38  | BCLK to Address, $\overline{C}IOUT$ , $\overline{LOCK}$ , $\overline{LOCKE}$ , $R/\overline{W}$ , $SIZx$ , $TS$ , $TLNx$ , $TMx$ , $TTx$ , $UPAx$ High Impedance | 11.5   | 23  | 9      | 18  | 6.5    | 15  | 25     | 13   | nS   |
| 39  | BCLK to $\overline{BB}$ , $\overline{TA}$ , $\overline{TIP}$ High Impedance  | 23     | 33  | 19     | 28  | 14     | 25  | —      | 13   | nS   |
| 40  | BCLK to $\overline{BR}$ , $\overline{BB}$ Valid  | 11.5   | 35  | 9      | 30  | 6.5    | 23  | 14     | 5.25 | nS   |
| 43  | BCLK to $\overline{MI}$ Valid  | 11.5   | 35  | 9      | 30  | 6.5    | 25  | 19     | 13   | nS   |
| 48  | BCLK to $\overline{TA}$ Valid  | 11.5   | 35  | 9      | 30  | 6.5    | 25  | 27     | 13   | nS   |
| 50  | BCLK to $\overline{IPEND}$ , $PSTx$ , $\overline{RSTO}$ Valid  | 11.5   | 35  | 9      | 30  | 6.5    | 25  | 14     | 5.25 | nS   |

\*Output timing is specified for a valid signal measured at the pin. Timing is specified driving an unterminated 30- $\Omega$  transmission line with a length characterized by a 2.5-nS one-way propagation delay. Buffer output impedance is typically 30  $\Omega$ ; the buffer specifications include approximately 5 ns for the signal to propagate the length of the transmission line and back.

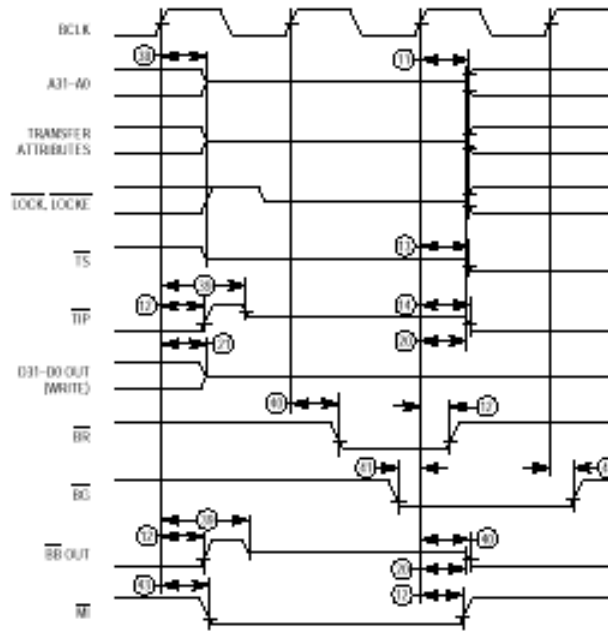
## A.6.8 Input AC Timing Specifications (See Figures A-5 to A-9)

| Num | Characteristic   | 20 MHz |     | 25 MHz |     | 33 MHz |      | 40 MHz |       | Unit |
|-----|--|--------|-----|--------|-----|--------|------|--------|-------|------|
|     |  | Min    | Max | Min    | Max | Min    | Max  | Min    | Max   |      |
| 15  | Data-In Valid to BCLK (Setup)  | 6      | —   | 5      | —   | 4      | —    | 3      | —     | nS   |
| 16  | BCLK to Data-In Invalid (Hold)   | 5      | —   | 4      | —   | 4      | —    | 3      | —     | nS   |
| 17  | BCLK to Data-In High Impedance (Read Followed by Write)  | —      | 61  | —      | 49  | —      | 36.5 | —      | 30.25 | nS   |
| 22a | $\overline{TA}$ Valid to BCLK (Setup)  | 12.5   | —   | 10     | —   | 10     | —    | 8      | —     | nS   |
| 22b | $\overline{TEA}$ Valid to BCLK (Setup)   | 12.5   | —   | 10     | —   | 10     | —    | 9      | —     | nS   |
| 22c | $\overline{TCI}$ Valid to BCLK (Setup)   | 12.5   | —   | 10     | —   | 10     | —    | 9      | —     | nS   |
| 22d | $\overline{TBI}$ Valid to BCLK (Setup)   | 14     | —   | 11     | —   | 10     | —    | 9      | —     | nS   |
| 23  | BCLK to $\overline{TA}$ , $\overline{TEA}$ , $\overline{TCI}$ , $\overline{TBI}$ Invalid (Hold)                      | 2.5    | —   | 2      | —   | 2      | —    | 2      | —     | nS   |
| 24  | $\overline{AVEC}$ Valid to BCLK (Setup)  | 6      | —   | 5      | —   | 5      | —    | 5      | —     | nS   |
| 25  | BCLK to $\overline{AVEC}$ Invalid (Hold)   | 2.5    | —   | 2      | —   | 2      | —    | 2      | —     | nS   |
| 41a | $\overline{BB}$ Valid to BCLK (Setup)  | 8      | —   | 7      | —   | 7      | —    | 8      | —     | nS   |
| 41b | $\overline{BG}$ Valid to BCLK (Setup)  | 10     | —   | 8      | —   | 7      | —    | 2      | —     | nS   |
| 41c | $\overline{CDIS}$ , $\overline{MDIS}$ Valid to BCLK (Setup)  | 12.5   | —   | 10     | —   | 8      | —    | 8      | —     | nS   |
| 41d | $\overline{IPLA}$ Valid to BCLK (Setup)  | 5      | —   | 4      | —   | 3      | —    | 3      | —     | nS   |
| 42  | BCLK to $\overline{BB}$ , $\overline{BG}$ , $\overline{CDIS}$ , $\overline{MDIS}$ , $\overline{IPLA}$ Invalid (Hold) | 2.5    | —   | 2      | —   | 2      | —    | 12     | —     | nS   |
| 44a | Address Valid to BCLK (Setup)  | 10     | —   | 8      | —   | 7      | —    | 5      | —     | nS   |
| 44b | SIZx Valid to BCLK (Setup)   | 15     | —   | 12     | —   | 8      | —    | 4      | —     | nS   |
| 44c | TTx Valid to BCLK (Setup)  | 7.5    | —   | 6      | —   | 8.5    | —    | 7      | —     | nS   |
| 44d | R/ $\overline{W}$ Valid to BCLK (Setup)  | 7.7    | —   | 6      | —   | 5      | —    | 7      | —     | nS   |
| 44e | SCx Valid to BCLK (Setup)  | 12.5   | —   | 10     | —   | 11     | —    | 8      | —     | nS   |
| 45  | BCLK to Address SIZx, TTx, R/ $\overline{W}$ , SCx Invalid (Hold)  | 2.5    | —   | 2      | —   | 2      | —    | 3      | —     | nS   |
| 46  | $\overline{TS}$ Valid to BCLK (Setup)  | 6      | —   | 5      | —   | 9      | —    | 2      | —     | nS   |
| 47  | BCLK to $\overline{TS}$ Invalid (Hold)   | 2.5    | —   | 2      | —   | 2      | —    | 7      | —     | nS   |
| 49  | BCLK to $\overline{BB}$ High Impedance (MC68LC040 Assumes Bus Mastership)  | —      | 11  | —      | 9   | —      | 9    | 8      | —     | nS   |
| 51  | $\overline{RSTI}$ Valid to BCLK  | 6      | —   | 5      | —   | 4      | —    | 8.5    | —     | nS   |
| 52  | BCLK to $\overline{RSTI}$ Invalid  | 2.5    | —   | 2      | —   | 2      | —    | 5      | —     | nS   |



NOTE: Transfer Attribute Signals = UPAs, SAs, TAs, TMs, TLNs, R/W, LOCK, LOCKE, CROUT

Figure A-5. Read/Write Timing



NOTE: Transfer Attribute Signals = UPAx, SIZx, TTx, TMx, TLNx, RAW, CDOU

Figure A-6. Bus Arbitration Timing

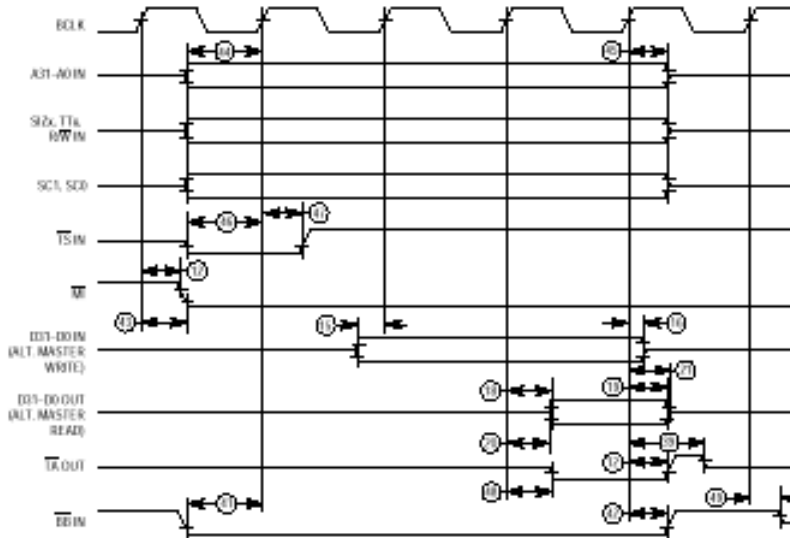


Figure A-7. Snoop Hit Timing

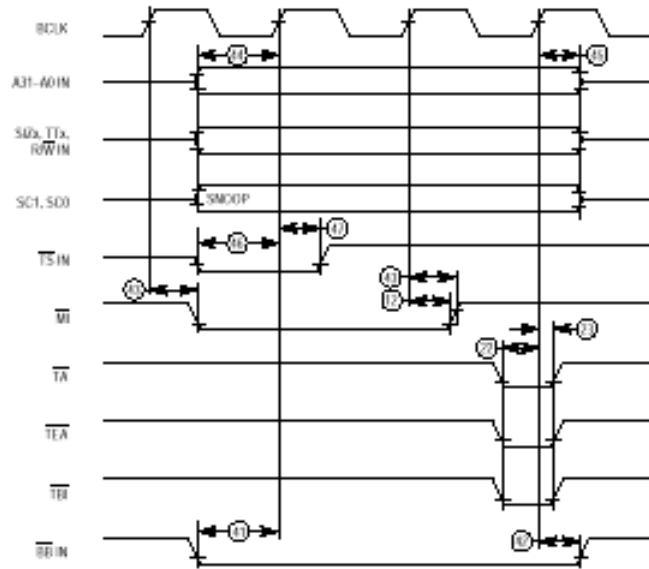


Figure A-8. Snoop Miss Timing

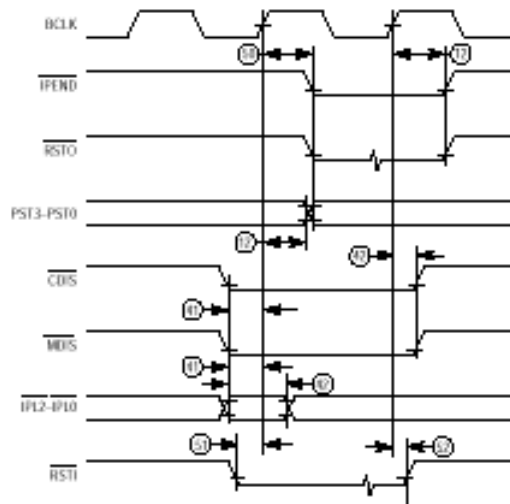


Figure A-9. Other Signal Timing