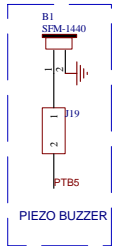
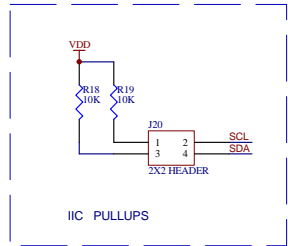
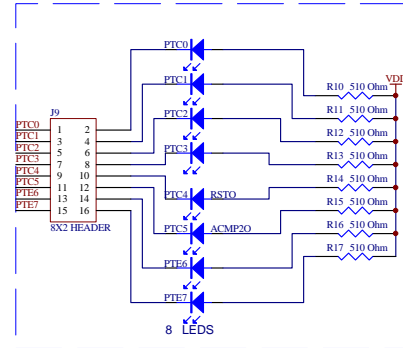
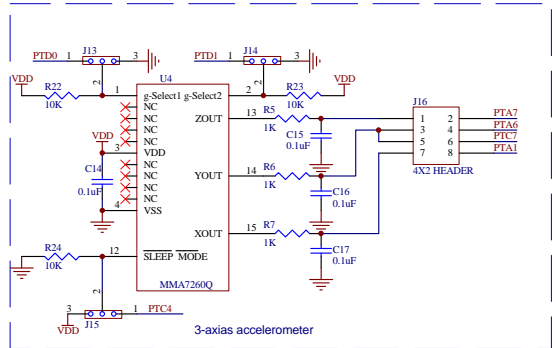


Copyright (C) 2007, P&E Microcomputer Systems, Inc.

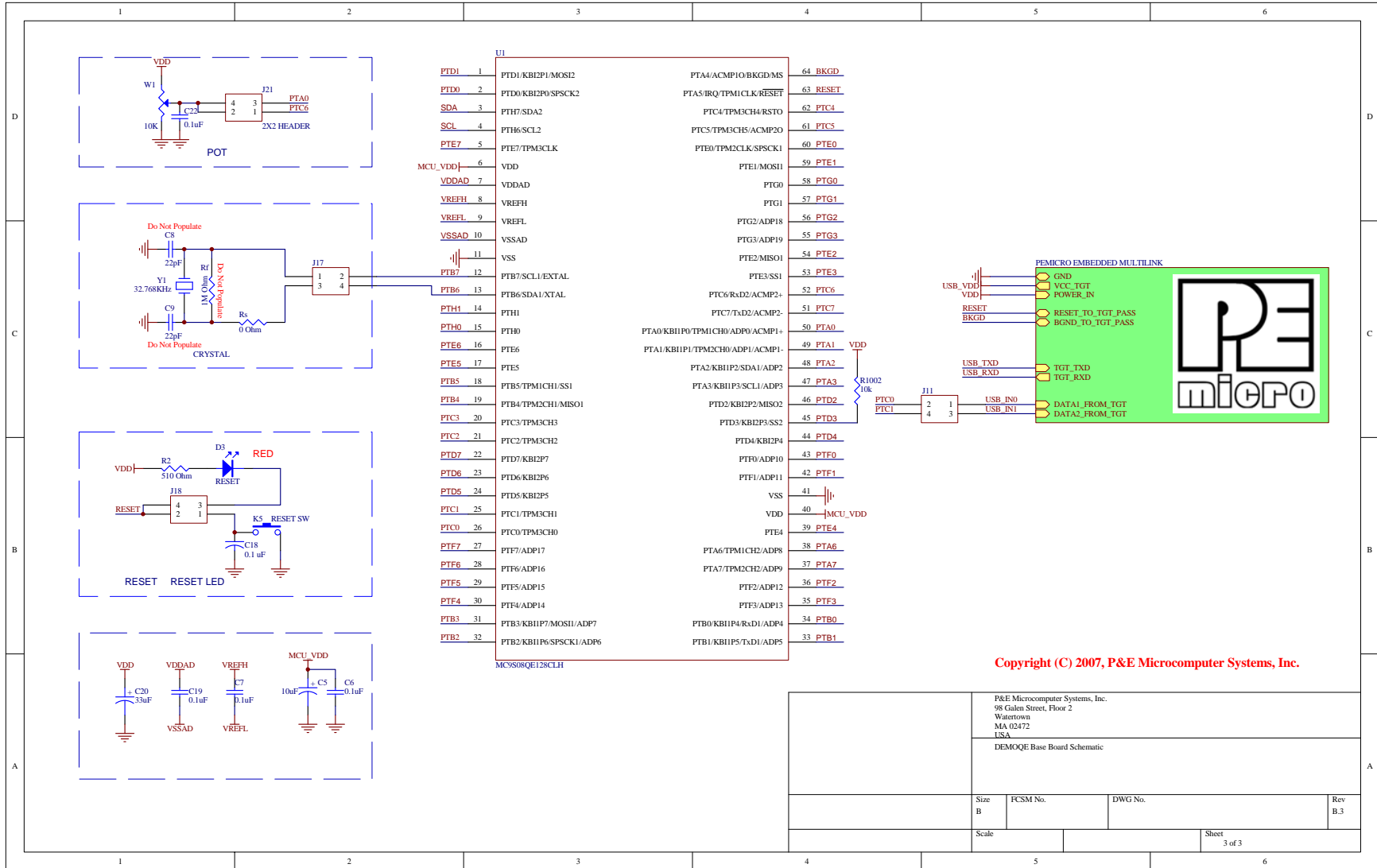
P&E Microcomputer Systems, Inc. 98 Galen Street, Floor 2 Watertown, MA 02472 USA		DEMOQE Base Board Schematic	
Size B	FCSM No.	DWG No.	Rev B.3
Scale		Sheet 1 of 3	



MCU_PORT_VDD	J1	MCU_PORT	J2
1	VDD	PTA5/IRQ/TPM1CLK/RESET	2 RESET
3	VSS	PTA5/IRQ/TPM1CLK/RESET	4 RESET
PTB1	5	PTB1/KBHP5/TxD1/ADP5	6 BKGD
PTB0	7	PTB0/KBHP4/RxD1/ADP4	PTA4/ACMP10/BKGD/MS
PTA2	9	PTA2/KBHP3/SDA1/ADP2	PTB7/TMP3CLK (n/c for 32 LQFP)
PTA3	11	PTA3/KBHP3/SCL1/ADP3	VREFH
PTC0	13	PTC0/TPM3CH0	VREFL
PTC1	15	PTC1/TPM3CH1	PTA0/KBHP0/TPM1CH0/ADP0/ACMP1+
PTB3	17	PTB3/KBHP7/MOSH1/ADP7	PTA1/KBHP1/TPM1CH0/ADP1/ACMP1-
PTB4	19	PTB4/TPM2CH1/MISO1	PTF0/ADP10 (n/c for 32 LQFP)
PTB2	21	PTB2/KBHP6/SFSPCK1/ADP6	PTF1/ADP11 (n/c for 32 LQFP)
PTB5	23	PTB5/TPM1CH1/SS1	PTA6/TPM1CH2/ADP8
PTD1	25	PTD1/KBHP2/MOS12	PTAT/TPM2CH2/ADP9
PTD0	27	PTD0/KBHP2/SFSPCK2	PTH6/SCL2 (PTB7/SCL1/EXTAL for 32 LQFP)
PTD3	31	PTD3/KBHP2/SS2	PTH7/SDA2 (PTB6/SDA1/XTAL for 32 LQFP)
PTC2	33	PTC2/TPM2CH2	PTD4/KBHP4 (n/c for 32 LQFP)
PTC3	35	PTC3/TPM2CH3	PTD5/KBHP5 (n/c for 32 LQFP)
PTC4	37	PTC4/TPM2CH4/RSTO	PTD6/KBHP6 (n/c for 32 LQFP)
PTC5	39	PTC5/TPM2CH5/ACMP20	PTD7/KBHP7 (n/c for 32 LQFP)
PTB2	41	PTB2/ADP12	PTC7/TxD2/ACMP2-
PTB3	43	PTB3/ADP13	PTC6/RxD2/ACMP2+
PTB4	45	PTB4/ADP14	PTB7/SCL1/EXTAL
PTB5	47	PTB5/ADP15	PTB6/SDA1/EXTAL
PTB6	49	PTB6/ADP16	PTG0
PTB7	51	PTB7/ADP17	PTG1
PTG2	53	PTG2/ADP18	PTH0
PTG3	55	PTG3/ADP19	PTH1
			NC
			NC

Copyright (C) 2007, P&E Microcomputer Systems, Inc.

P&E Microcomputer Systems, Inc. 98 Galen Street, Floor 2 Watertown, MA 02472 USA		DEMOQOE Base Board Schematic	
Size	B	FCSM No.	DWG No.
Scale			Sheet
			2 of 3



P&E Microcomputer Systems, Inc. 98 Galen Street, Floor 2 Watertown, MA 02472 USA			
DEMOQOE Base Board Schematic			
Size B	FCSM No.	DWG No.	Rev B.3
Scale		Sheet 3 of 3	