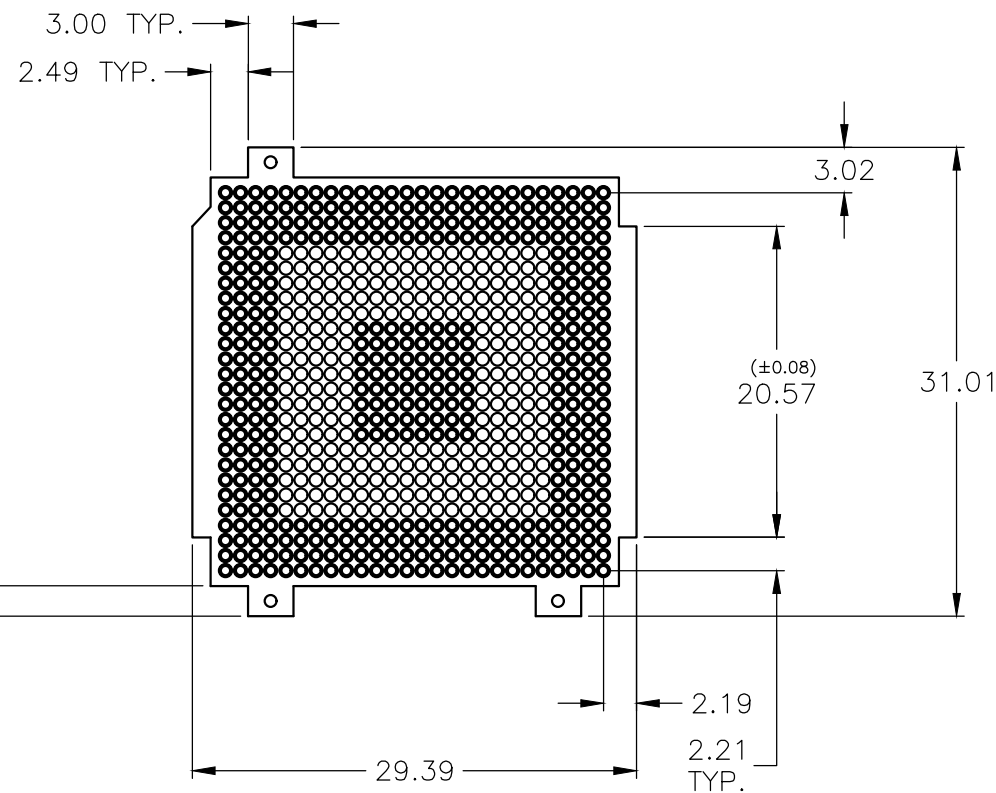
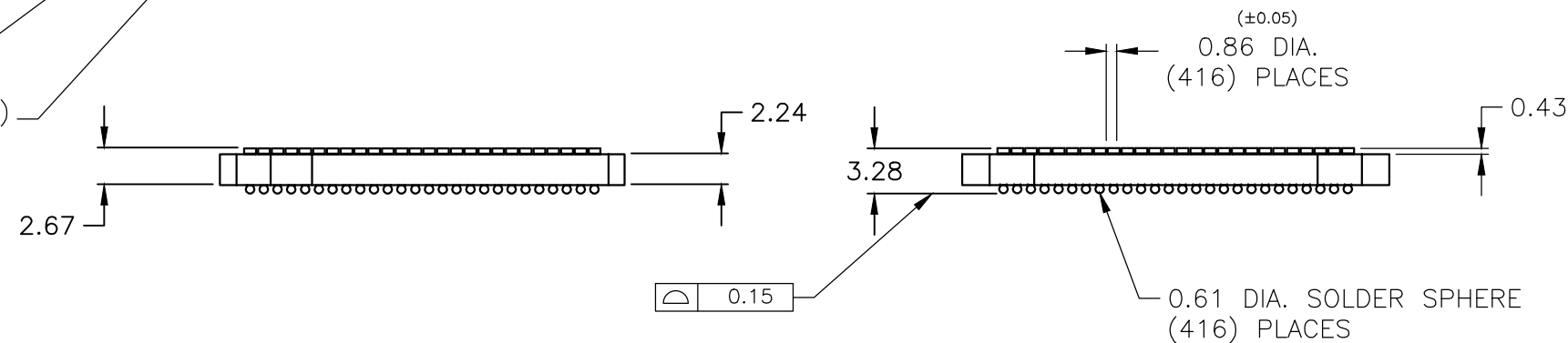


1.27 X 45°
CHAMF.

PIN #1 (REF.)



1	Socket Assembly	Advanced Innerconnections	#8442TR
ITEM	QTY	NAME	DESCRIPTION
Parts List			
FILE NAME		LFBGARBWAO.dwg	
CONTRACT NO		-	
DRAWN		06/08/07 CJW	
CHECK			
APPR.		06/14/2010 = WEB	
ISSUED			
SIZE	FSCM NO	DWG NO	REV
B	-	LFBGARBWAO	04
NOTE:	DIMENSIONS ARE IN MILLIMETERS DO NOT SCALE DRAWING		
SCALE	2:1	WEIGHT	SHEET 1 of 1



NXP Semiconductors
28125 Cabot Drive, Suite 100
Novi, Michigan 48377

BGA Base with Receivers
416 Pos. 1.0mm Pitch (Lead Free)