

APPROVALS		DATE		TITLE	
DRAWN	GLM	071904		CMM-5235 AXM-0342	
CHECKED	RDF	071904	SIZE	DWG NO.	AX-SCH-0316
FINISH			SCALE	REV	C
					SHEET 2 OF 3



8 7 6 5 4 3 2 1

D

C

B

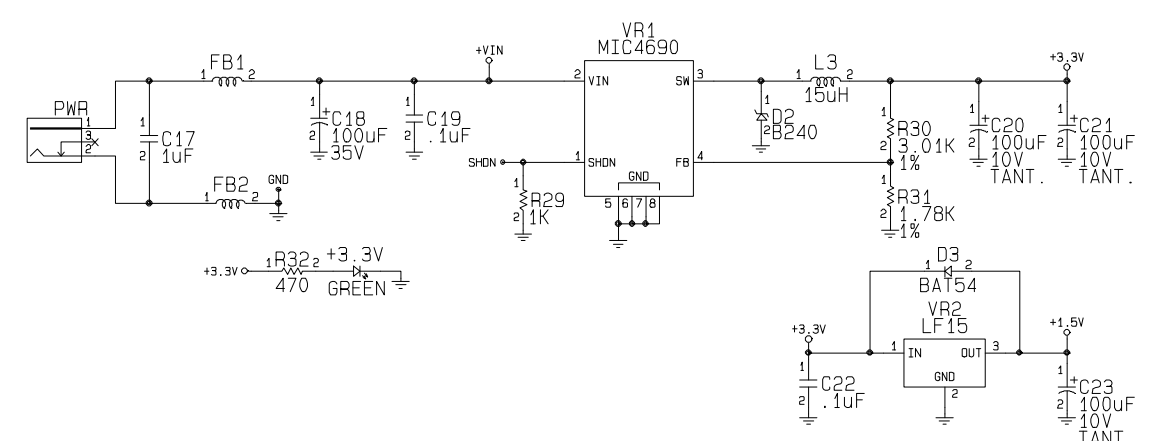
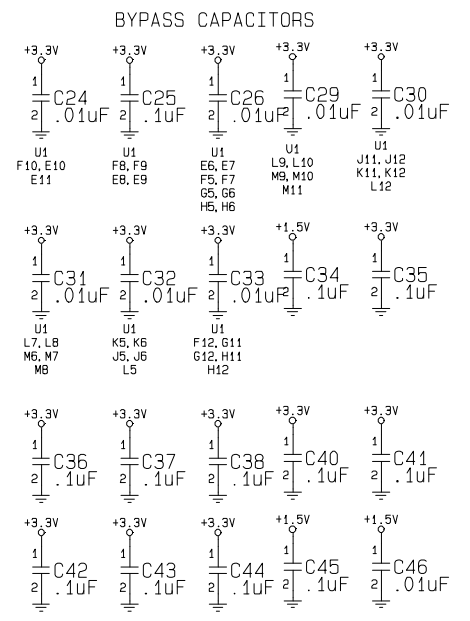
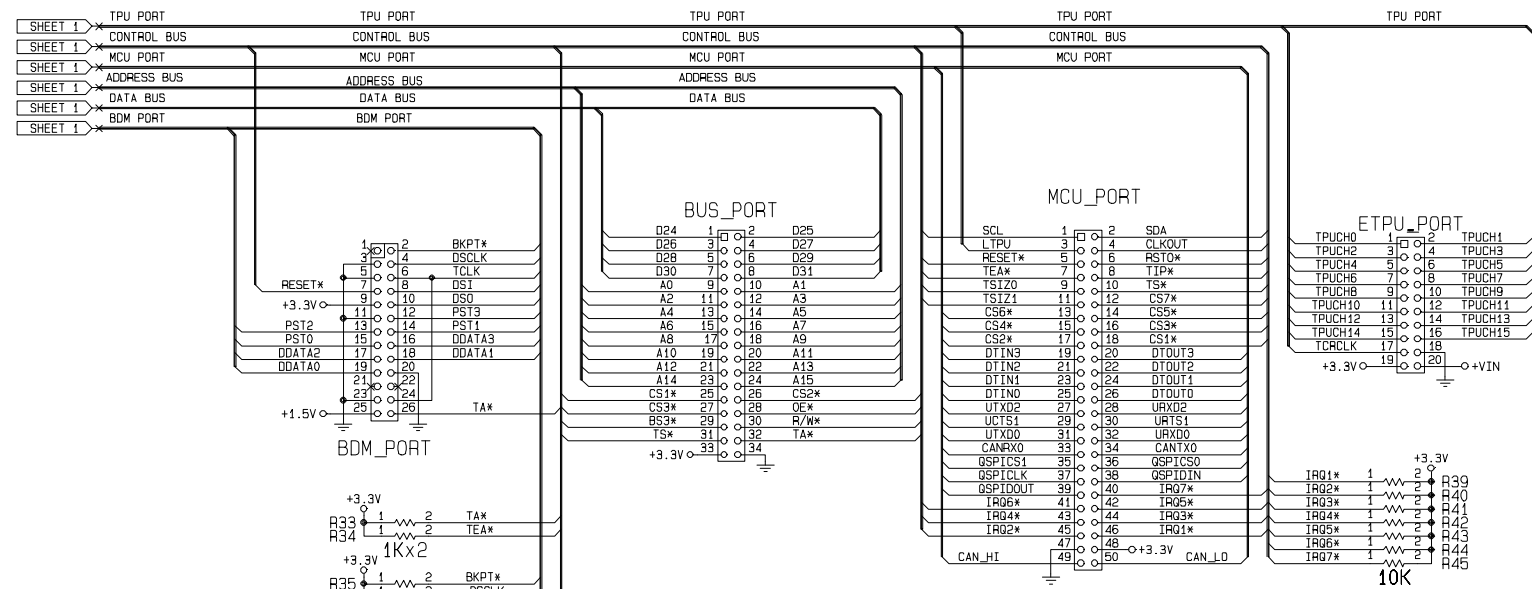
A

D

C

B

A



APPROVALS		DATE	TITLE	
DRAWN	GLM	071904	CMM-5235 AXM-0342	
CHECKED	RDF	071904	SIZE	OWG NO.
FINISH			AX-SCH-0316	REV C
SCALE			SHEET 3 OF 3	

8 7 6 5 4 3 2 1