

# Trio 3 Development Platform



# Trio 3 Reference Platform

(M/SCF5249 + Sony CD Mechanism + Sony Front-end Chipset)

## Trio System Features:

- M/SCF5249 QFP-144 package, 1M-word flash, 8M-byte SDRAM
- Sony servo chipset and Sony CD drive mechanism
- MP3 playback (MPEG-1 Layer 3 and MPEG-2 Layer 3 with lower sampling rates)
- WMA playback (high rate, mid rate and low rate)
- CD-DA, CD-R, CD-RW and CD-ROM discs
- ISO-9660 Level 3 file system with Joliet extension
- ISO-9660 Joliet format for Macintosh
- UDF file system, version 1.5, with fixed and variable packets
- Multi-session discs (up to five sessions)
- Mixed discs (data and audio tracks)
- Copy-protected CD-DA discs
- Display of ID3 tags V1. 1, V2.2, V2.3
- ESP, with 4X ADPCM compression

# Trio 3 - Sony CD drive (KSM-900) and chipset

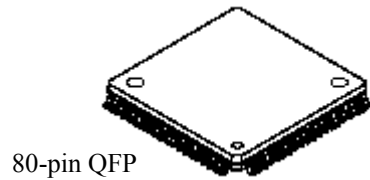
➤ CXA2647N  
RF AMP for laser pickup



➤ CXA2534  
CD Motor driver

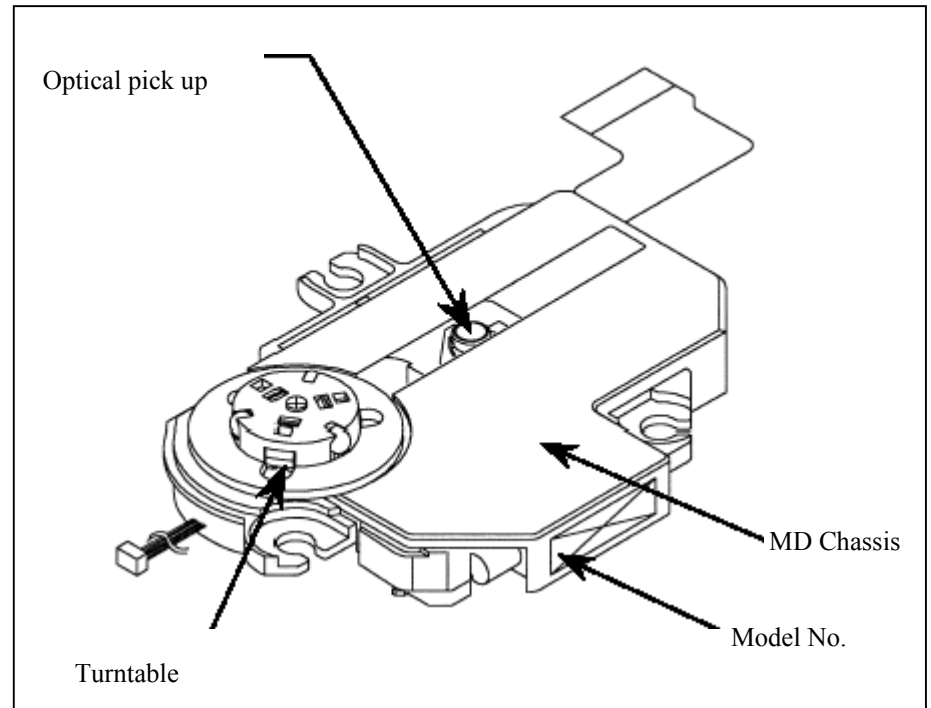


➤ CXD3068Q  
Servo DSP

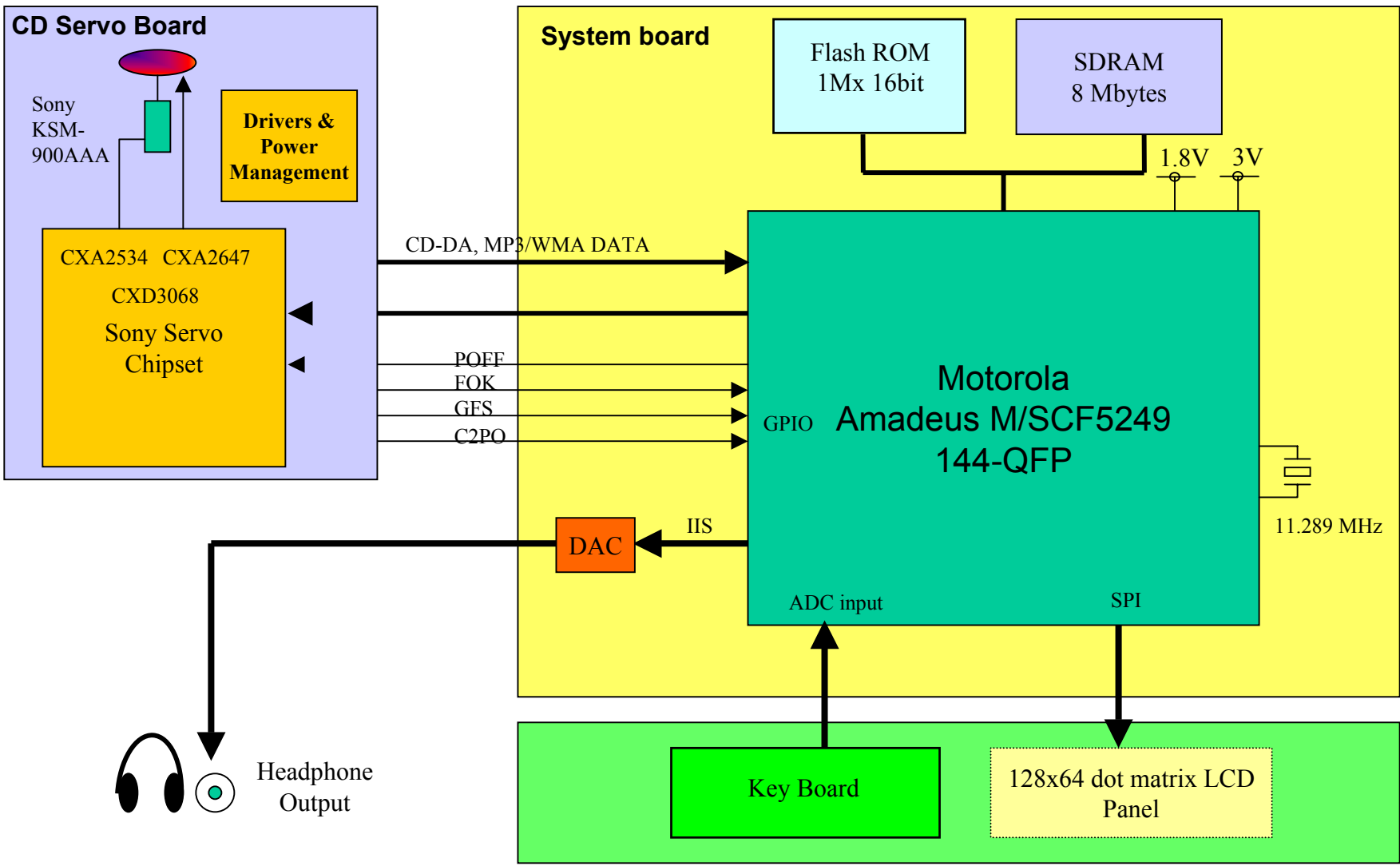


➤ Drive Thickness 17.8mm  
Target end product: 20-30mm

## KSM-900AAA



# NXP Trio 3 Block Diagram: M/SCF5249 + Sony CD Servo

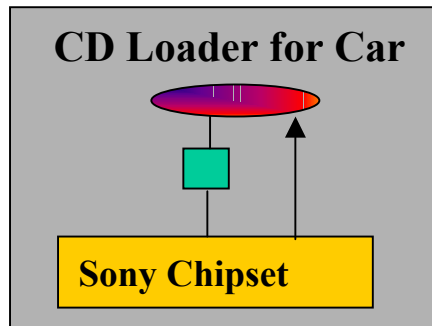
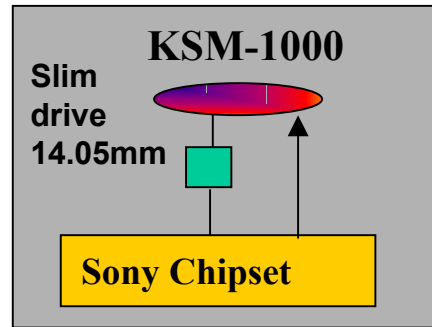
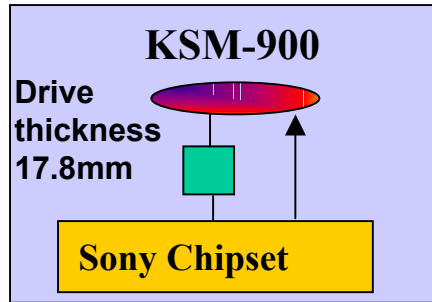


Trio 3 Development Platform  
 Asia Transportation & Standard Products Group  
 MOTOROLA and the Stylized M Logo are registered in the US Patent & Trademark Office. All other product or service names are the property of their respective owners. © Motorola, Inc. 2003.

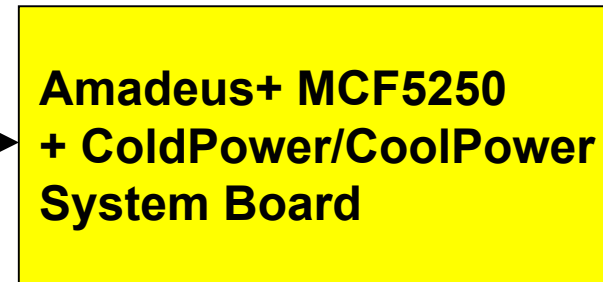
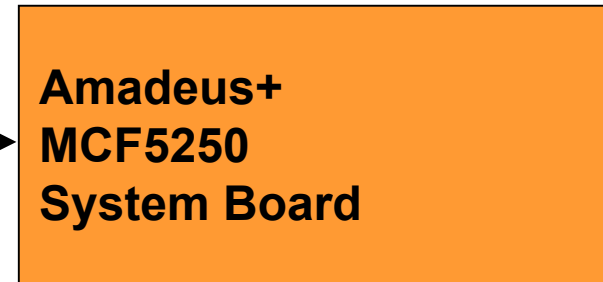
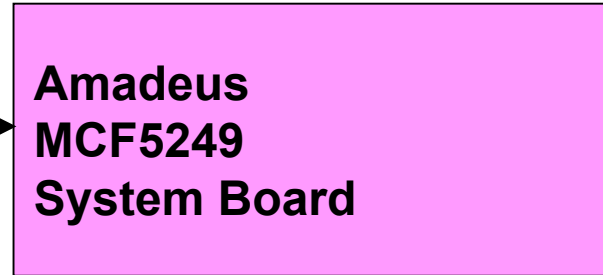


# Trio 3 : Flexible Reference Platform

## Sony Servo Boards



## Amadeus System Boards



# Trio 3 Hardware Illustration

