



HC08 Q-Family of Flash Microcontrollers



8/16-bit Products Division
Transportation &
Standard Products Group



- Introducing the HC08 Q-Family of Microcontrollers
- The HC08 Q-Family Space
- Target Applications
- HC08 Q-Family at a Glance
- Features and Performance
- Tools Support
- Summary



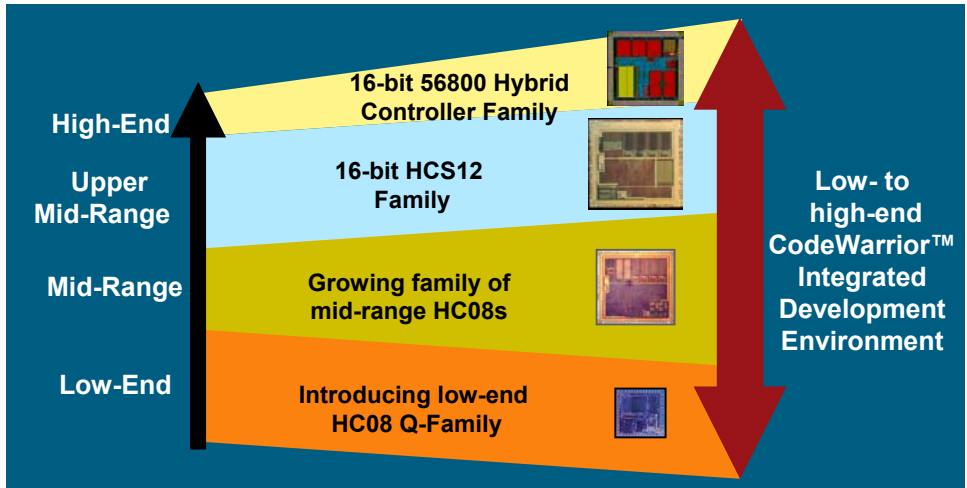
NXP Producing the HC08 Q-Family 8-Bit Microcontrollers

- Small, powerful, attractively priced 8-bit MCUs with second-generation 0.5 μ Flash in 8- and 16-pin packages
- Targeting cost-sensitive applications in broad range of consumer, industrial control and automotive products
- Maximum flexibility, reduced cost and faster time-to-market
- Available worldwide now





e HC08 Q-Family Space





Typical Target Applications



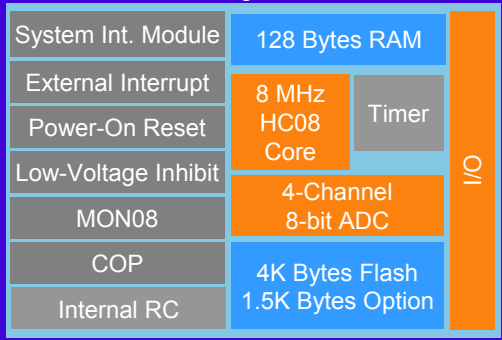
- Light dimmer switches
- Digital keypads
- Radar detectors
- Windshield wiper motor controllers
- Car window controllers
- Washing machine controllers
- Exercise equipment
- Climate control devices
- And thousands more





808 Q-Family at a Glance

HC08 Q-Family



Up to 6 I/Os
(8-pin version)

Up to 14 I/Os
(16-pin version)

Bi-directional I/O

ADC available
on QT2/QT4/
QY2/QY4

HC08 Q-Family

- 68HC908QT1
- 68HC908QY1
- 68HC908QT2
- 68HC908QY2
- 68HC908QT4
- 68HC908QY4

**Packages: DIP 8, SOIC 8 and DIP 16,
SOIC 16, TSSOP 16**



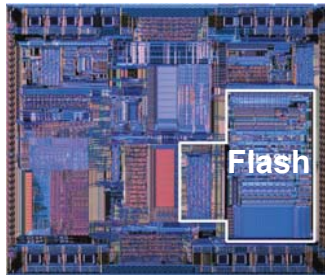


Key Features of HC08 Q-Family

	<u>68HC908QT1</u>	<u>68HC908QT2</u>	<u>68HC908QT4</u>
Flash	1.5K bytes	1.5K bytes	4K Bytes
ADC	-	4 Ch, 8-bit	4 Ch, 8-bit
Package	8-Lead SOIC/PDIP	8-Lead SOIC/PDIP	8-Lead SOIC/PDIP
	<u>68HC908QY1</u>	<u>68HC908QY2</u>	<u>68HC908QY4</u>
Flash	1.5K bytes	1.5K bytes	4K bytes
ADC	-	4 Ch, 8-bit	4 Ch, 8-bit
Package	16-Lead SOIC/ PDIP/TSSOP	16-Lead SOIC/ PDIP/TSSOP	16-Lead SOIC/ PDIP/TSSOP



NXP Significant Performance Advantages with Flash Memory



- In-application and in-circuit reprogrammable, making field upgrades easy
- Extremely fast programming (>100x faster than most embedded Flash)
- Easily used for data EEPROM
- Flexible block protection and security
- From embedded Flash industry leader



Support and Training

- Metrowerks CodeWarrior Development Studio Special Edition and online technical training modules available free at www.motorola.com/mcu
- Comprehensive collection of reference designs
- MCU applications library
 - Searchable FAQ database
 - Broad third-party developer support
 - M68DEMO908QT4 US\$25*



*North American suggested resale





Summary

#1

- 8-bit microcontroller leader expands reach to low-end mass market segments.
- Motorola introduces HC08 Q-Family with Flash memory in small outline 8- and 16-pin packages.
- Visit our Web site for more information, including development tool information, online training and searchable FAQs:

www.motorola.com/mcu

- For more information about Motorola's semiconductor products, visit

www.motorola.com/semiconductors

