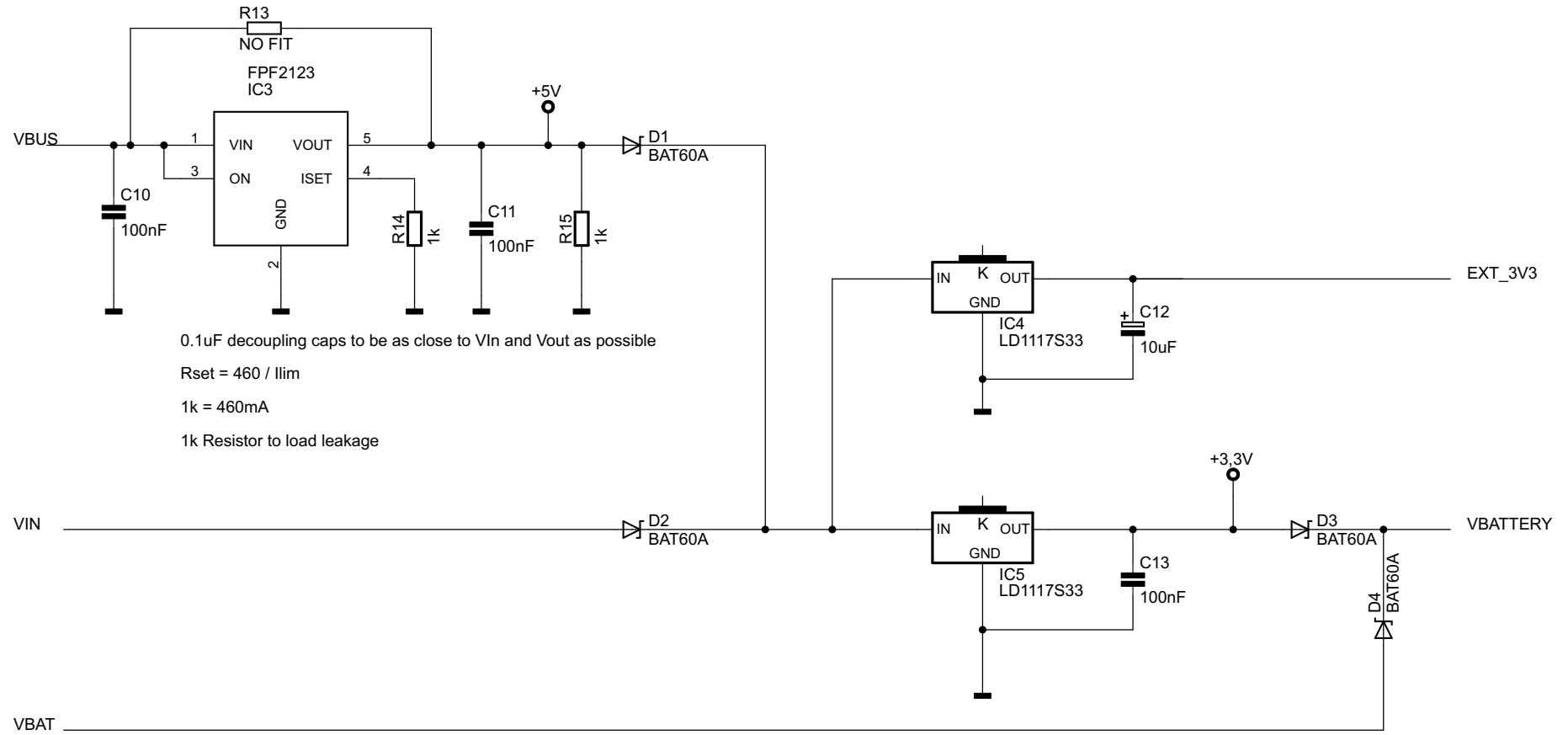


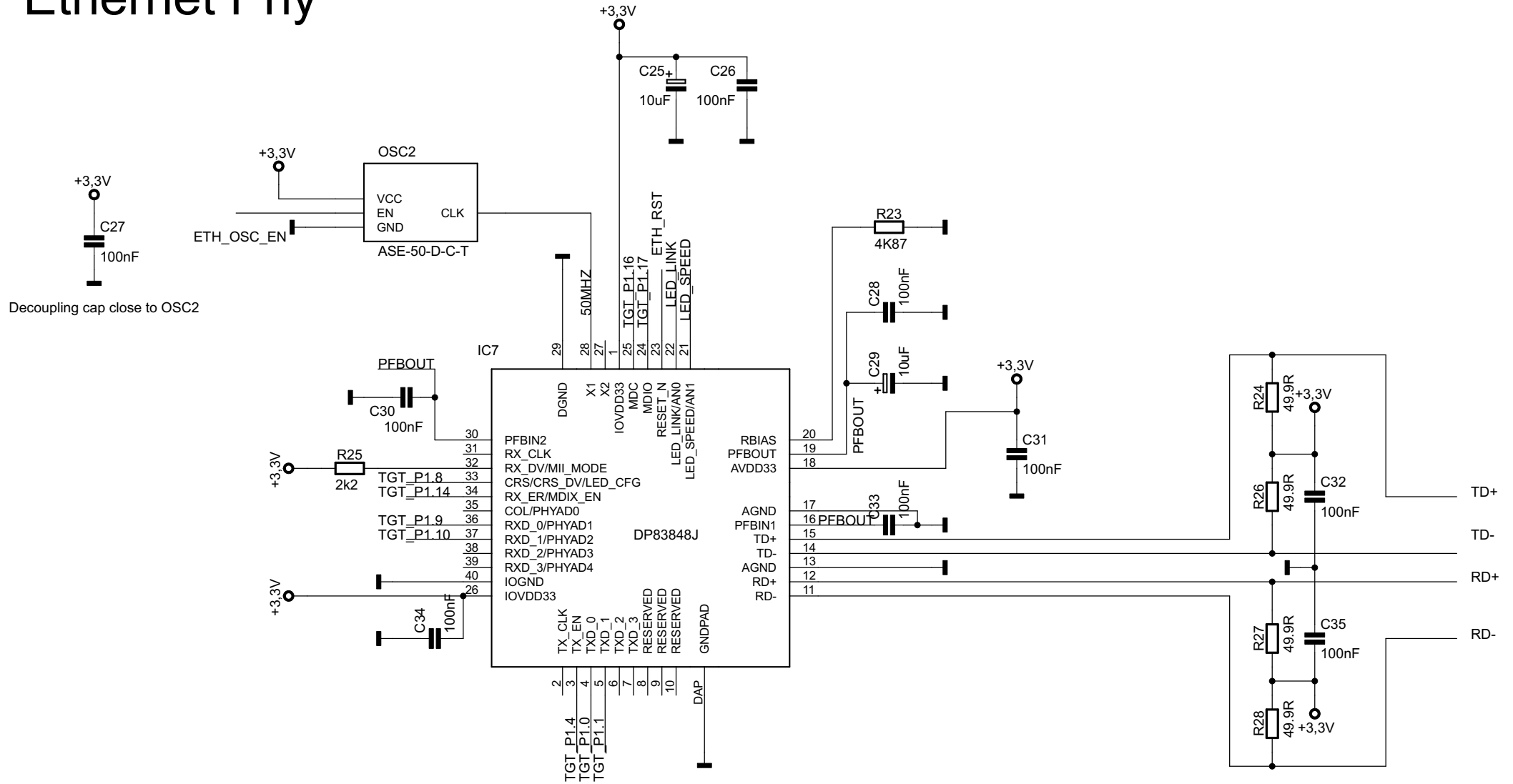
mbed	
Project-Version:	mbed-005.1
Date / Time:	26/08/2010 16:42:39
Sheet:	1/5

Power Supply Circuits



mbed	
Project-Version:	mbed-005.1
Date / Time:	26/08/2010 16:42:39
Sheet:	2/5

Ethernet Phy

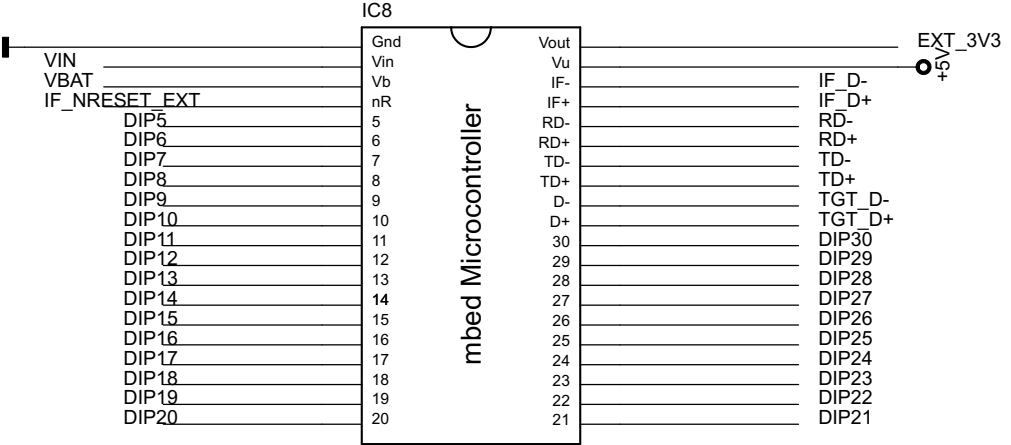


Decoupling cap close to OSC2

Route with matched signal traces

mbed	
Project-Version:	mbed-005.1
Date / Time:	26/08/2010 16:42:39
Sheet:	4/5

DIP Pinout



mbed	
Project-Version:	mbed-005.1
Date / Time:	26/08/2010 16:42:39
Sheet:	5/5