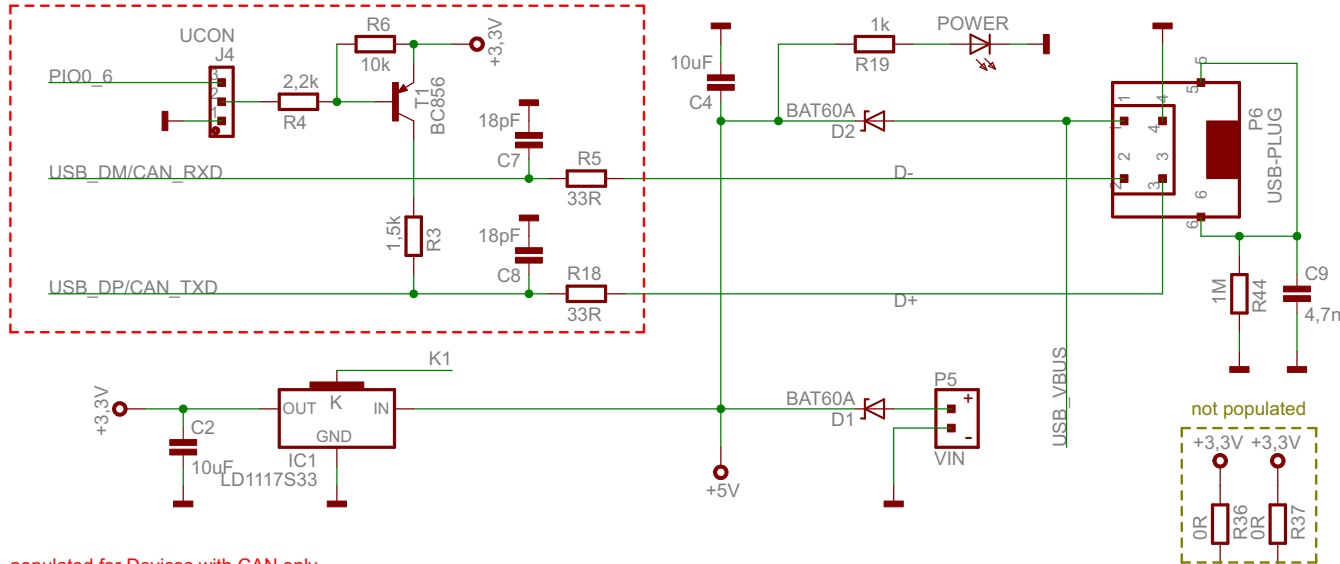


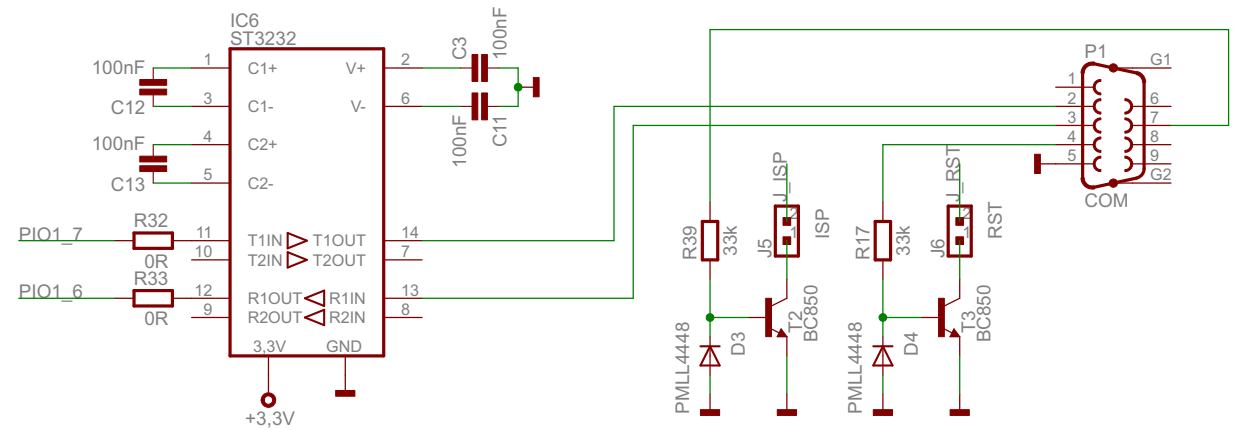
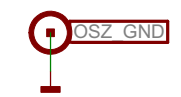
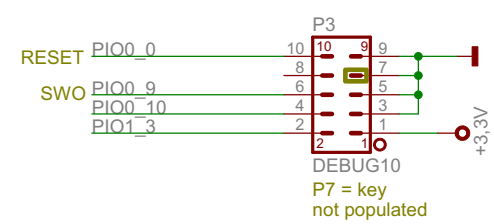
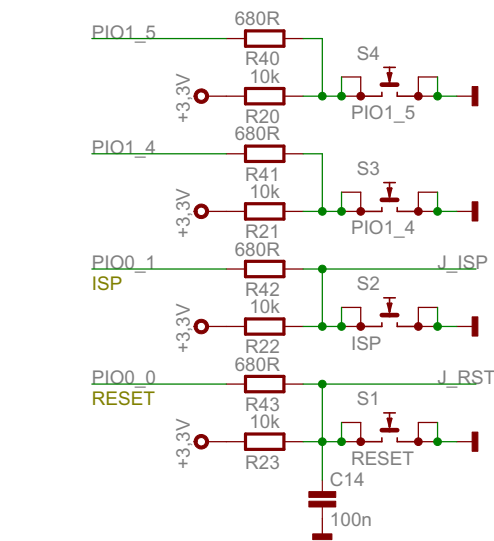
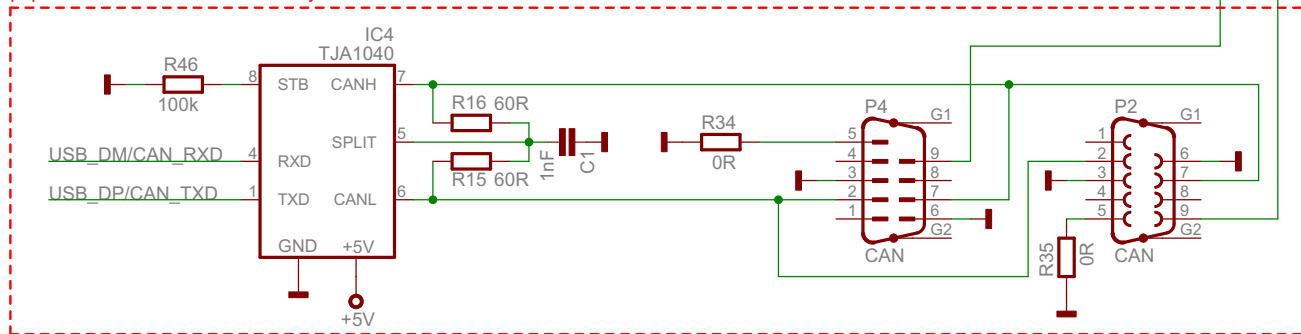
| Board Name | Device | CAN | USB |
|------------|-------------------|-----|-----|
| MCB1114 | LPC1114FBD48/301 | - | - |
| MCB11C14 | LPC11C14FBD48/301 | X | - |
| MCB11U2x | LPC11U2xFBD48 | - | X |
| MCB1313 | LPC1313FBD48 | - | - |
| MCB1343 | LPC1343FBD48 | - | X |

| KEIL SOFTWARE | |
|------------------|---------------------|
| Project-Version: | MCB1000-Vers26 |
| Date / Time: | 17.09.2010 09:24:11 |
| Sheet: | 1/3 |

populated for Devices with USB only

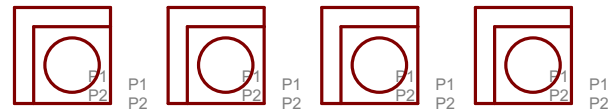
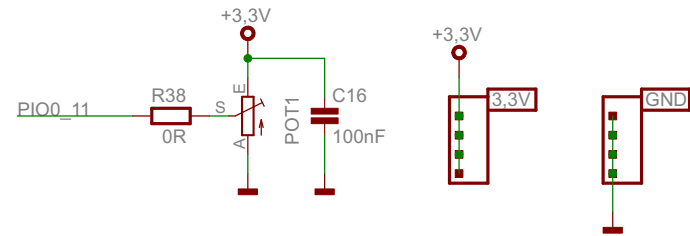
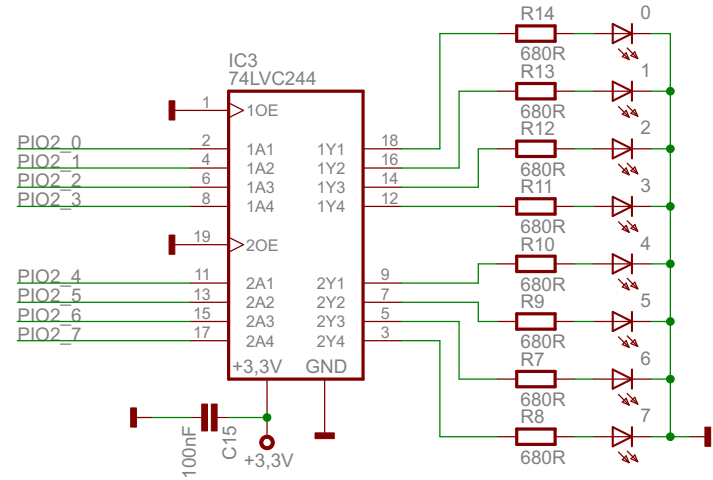
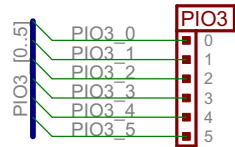
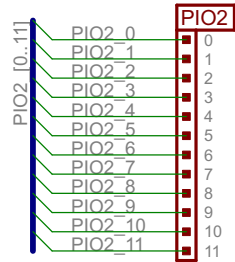
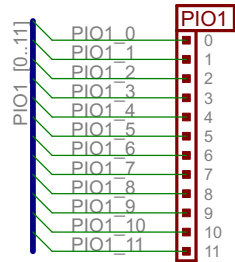
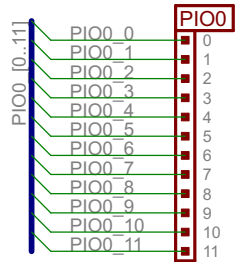


populated for Devices with CAN only



KEIL SOFTWARE

Project-Version: MCB1000-Vers26
 Date / Time: 17.09.2010 09:24:11
 Sheet: 2/3



KEIL SOFTWARE

Project-Version: MCB1000-Vers26
 Date / Time: 17.09.2010 09:24:11
 Sheet: 3/3