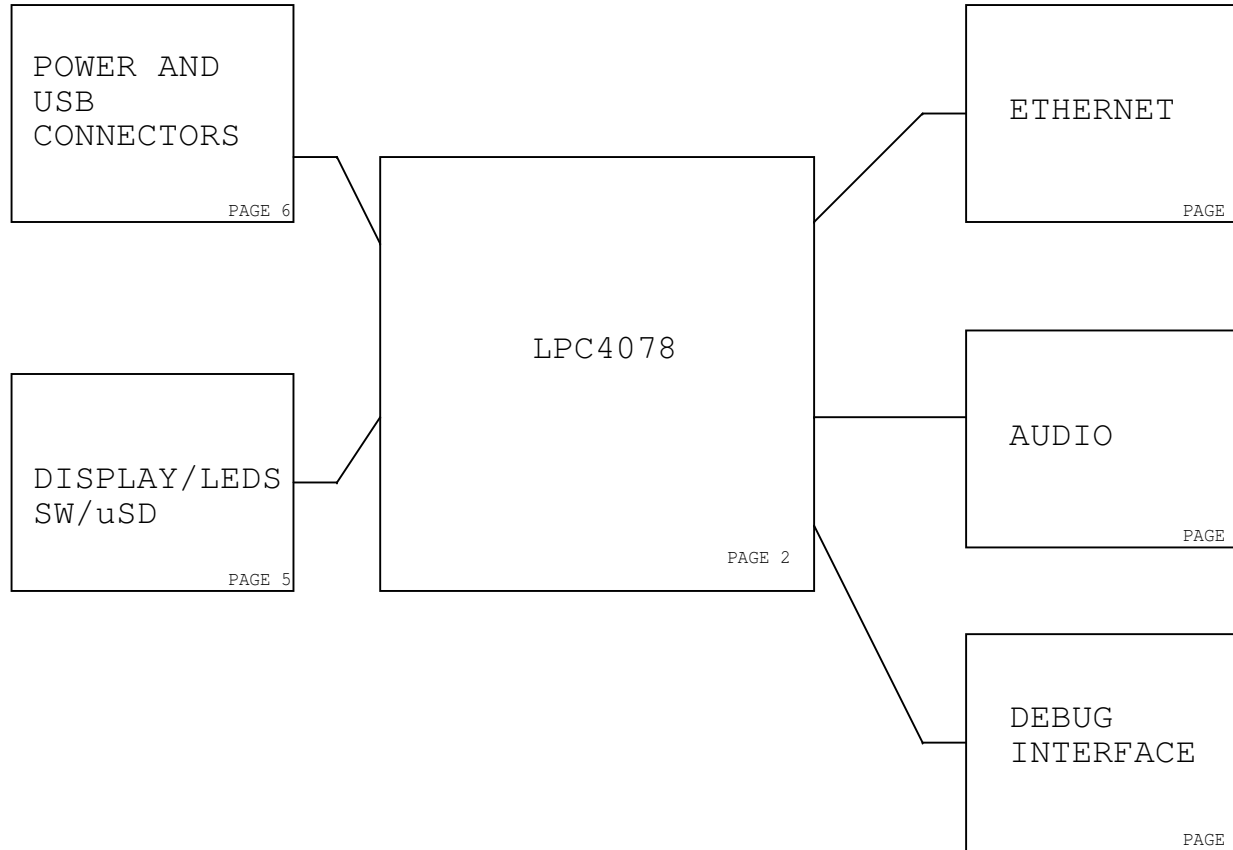


RDB4078 DEVELOPMENT BOARD



(C) Code Red Technologies Inc. 2012

Title

RDB1768 TOP LEVEL

Size

A

Document Number

RDB4078 PAGE1

Rev

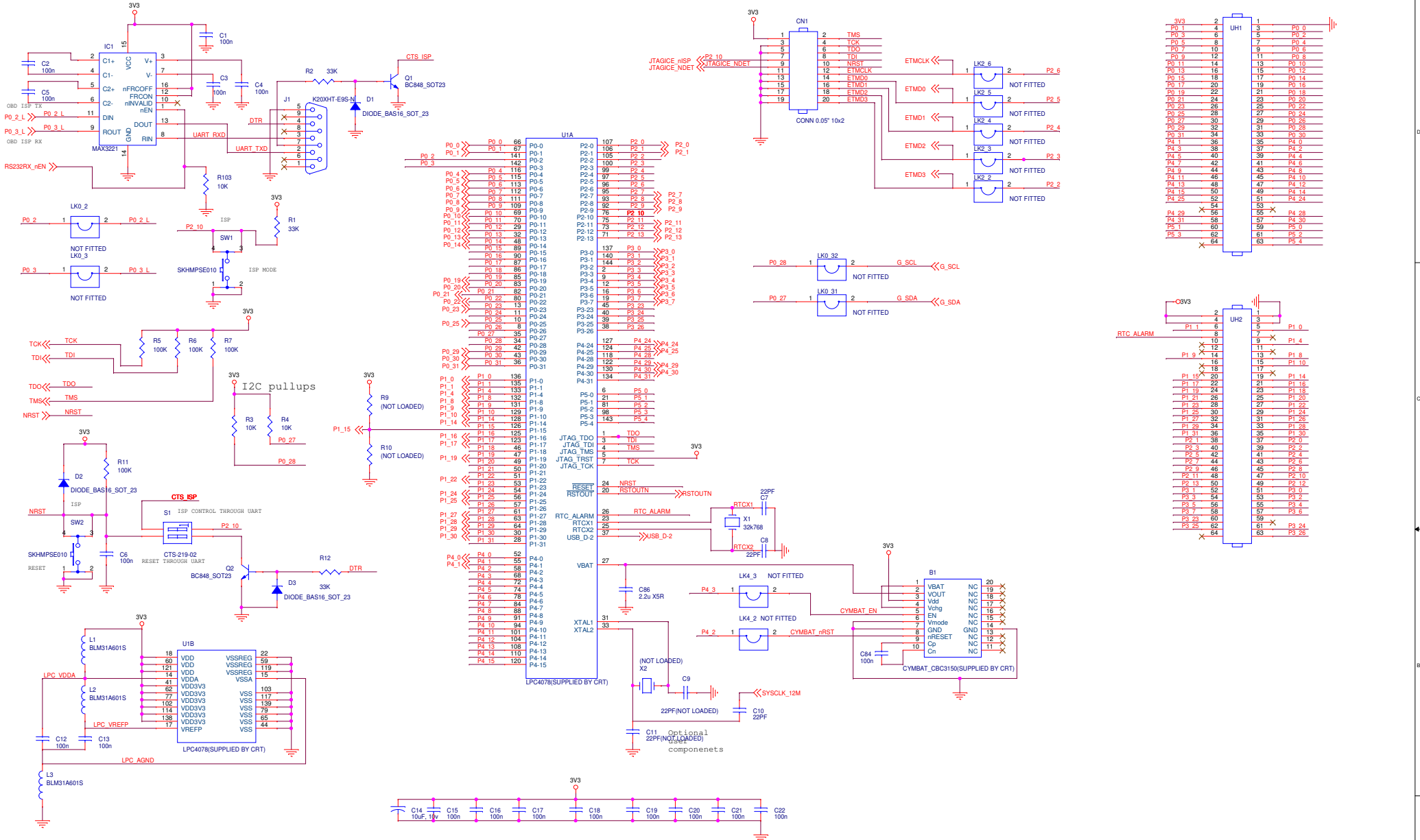
2.0

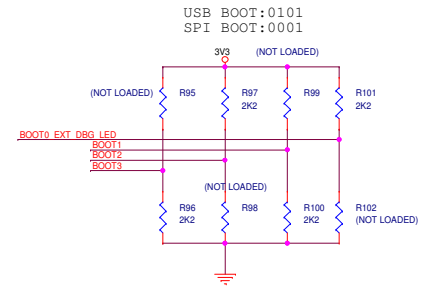
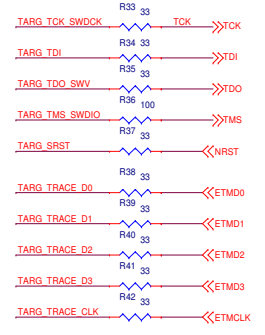
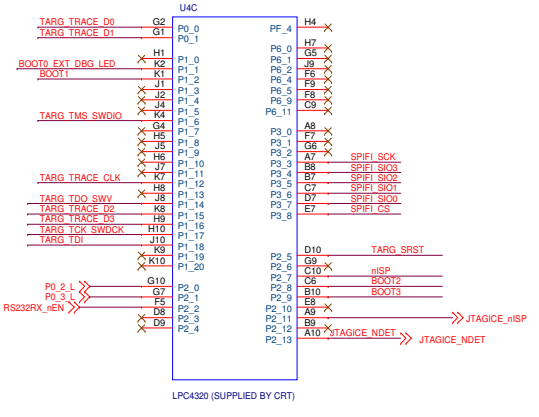
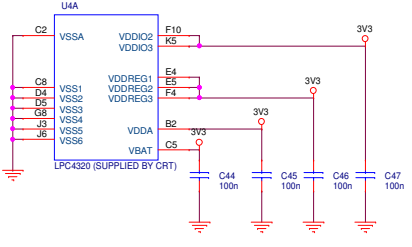
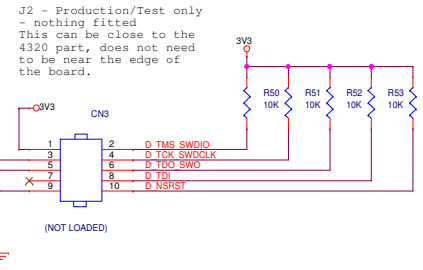
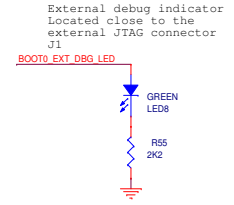
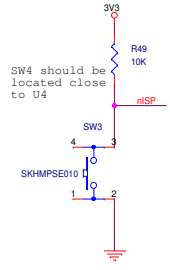
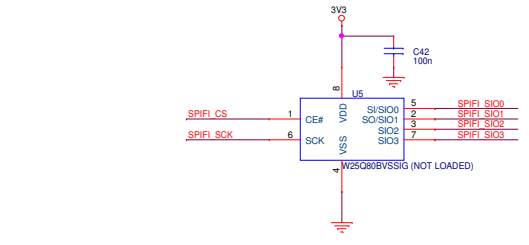
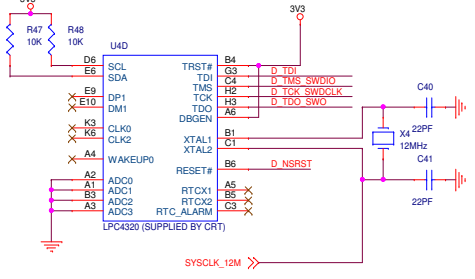
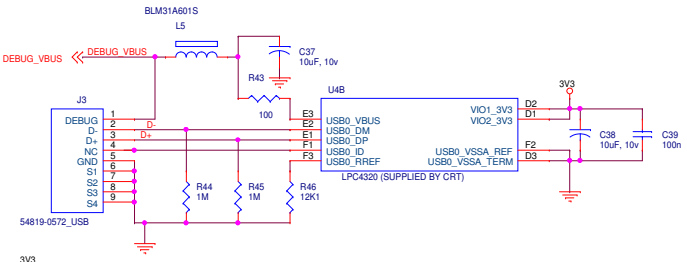
Date:

Wednesday, July 25, 2012

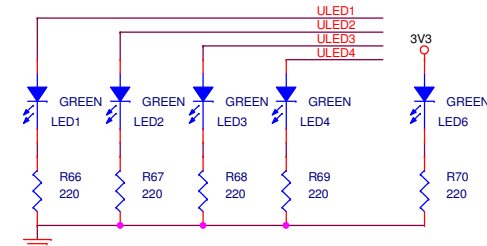
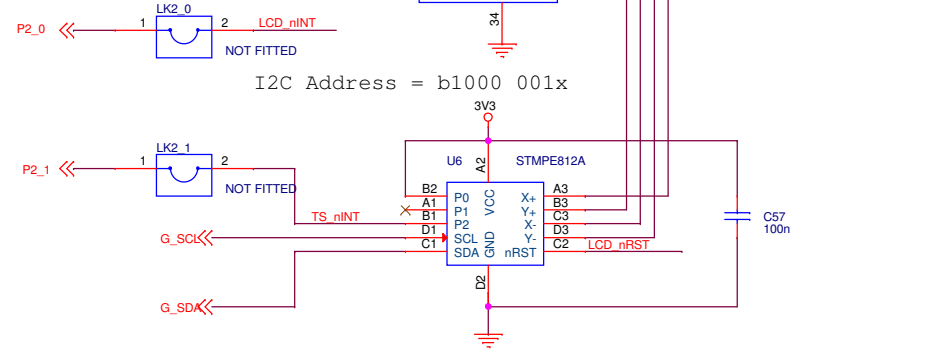
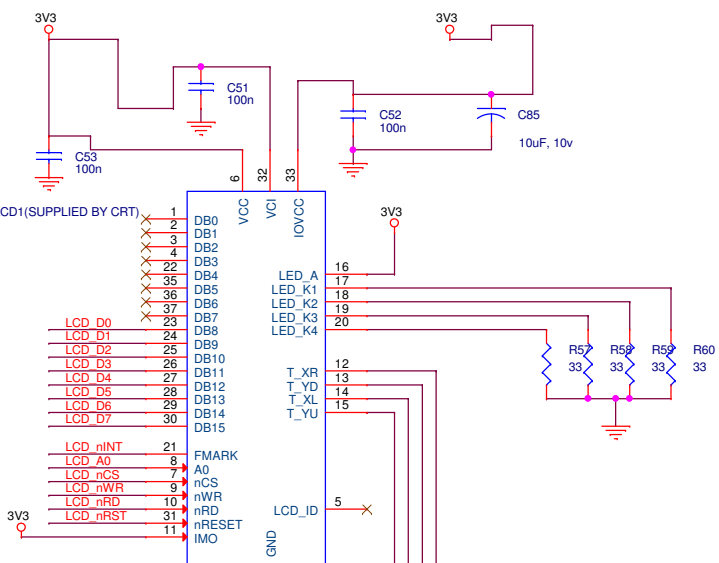
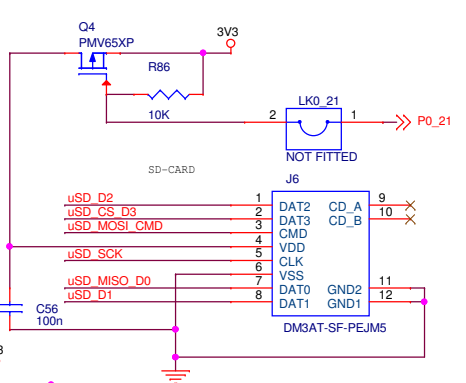
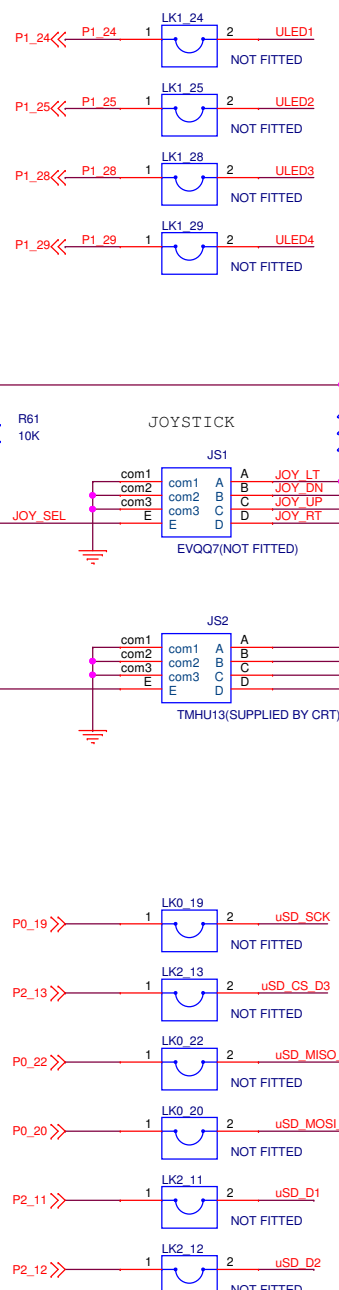
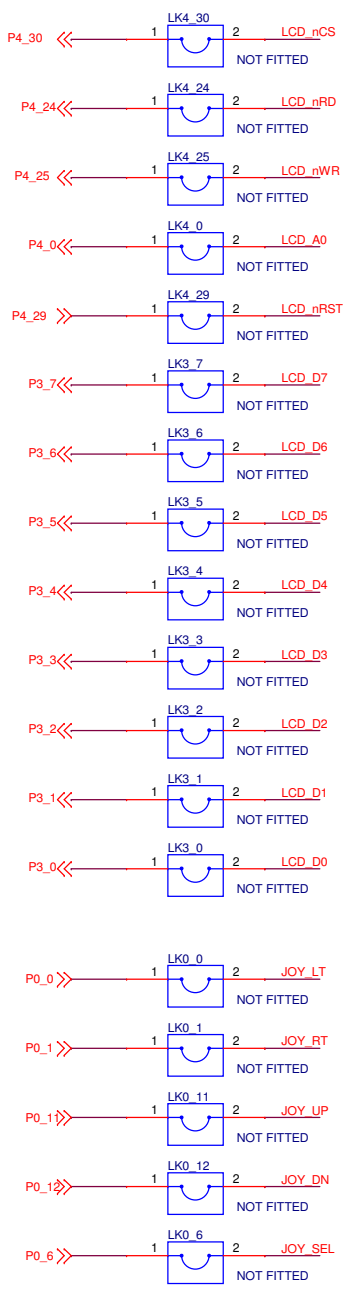
Sheet

1 of 7



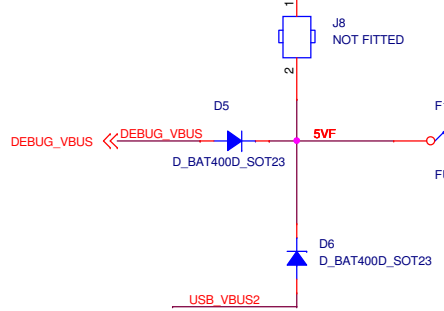
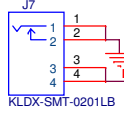


J2 - Production/Test only
 - nothing fitted
 This can be close to the 4320 part, does not need to be near the edge of the board.

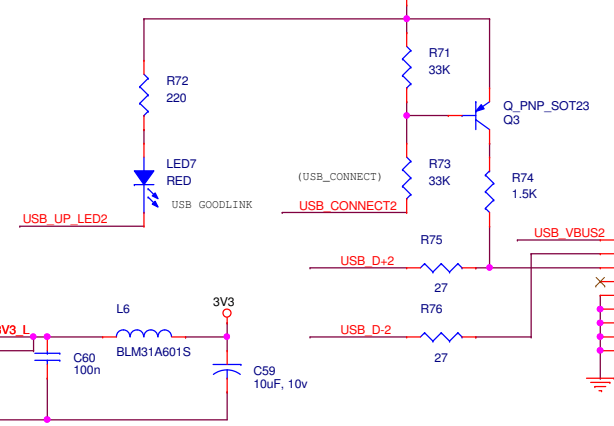
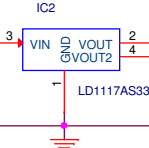


(C) Code Red Technologies Inc. 2012		
Title Display, LEDS and Joystick		
Size B	Document Number RDB4078 PAGE5	Rev 2.0
Date: Wednesday, July 25, 2012	Sheet 5	of 7

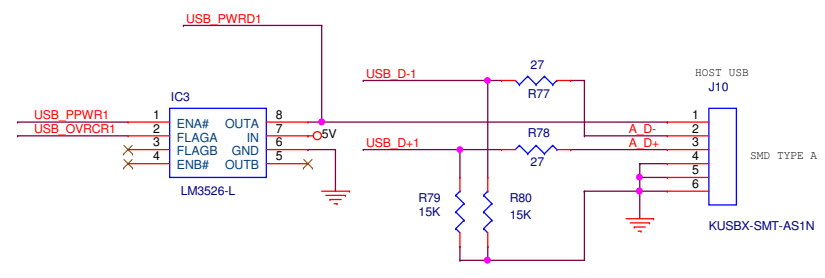
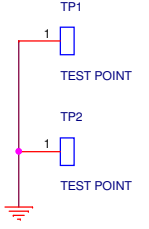
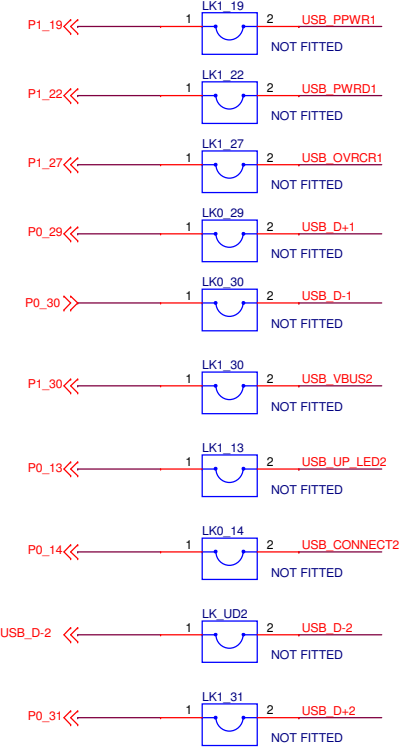
5V Power Input



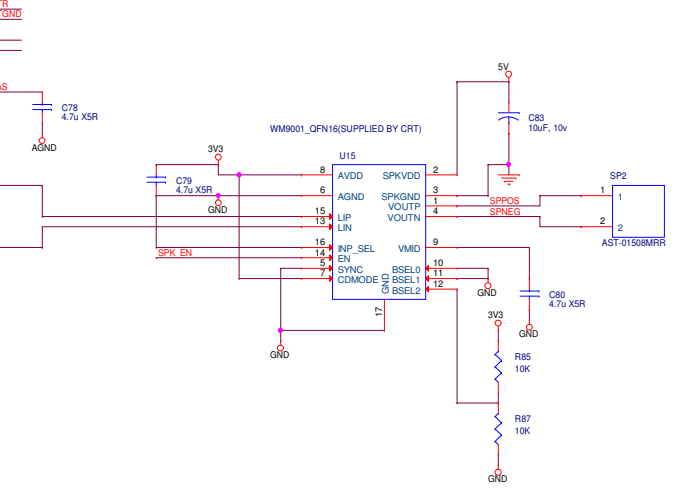
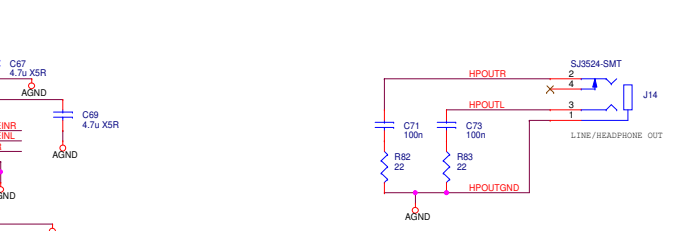
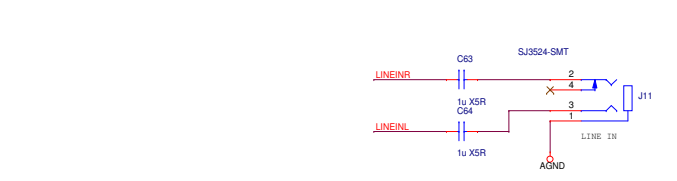
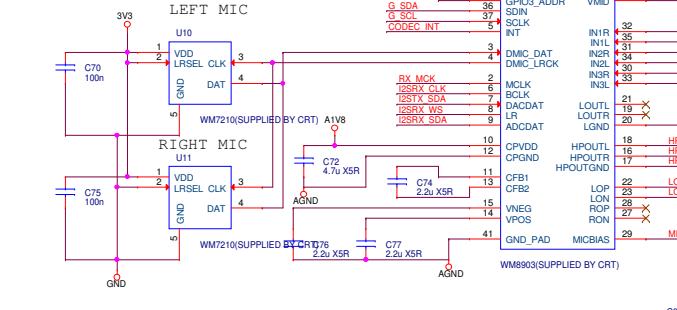
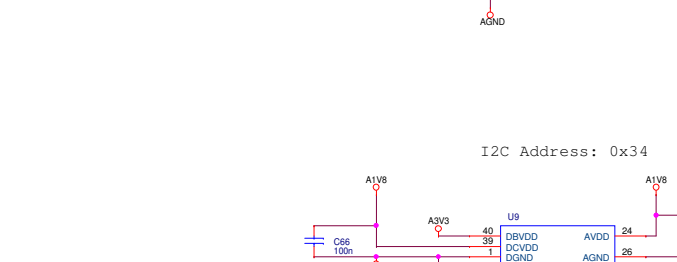
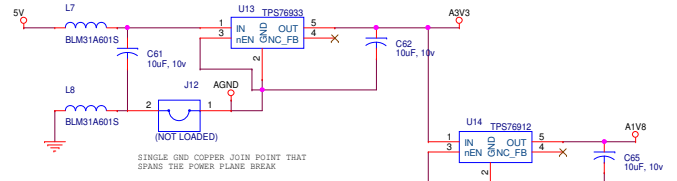
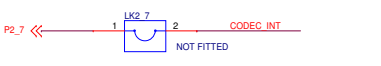
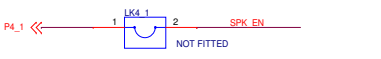
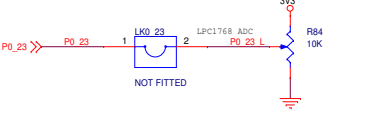
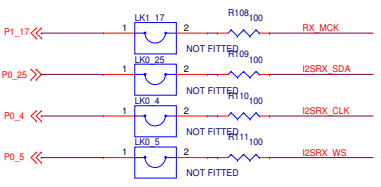
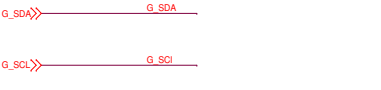
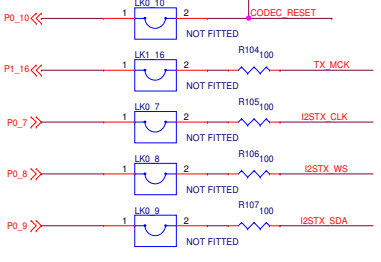
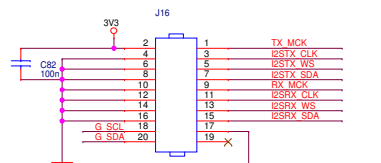
3V3 LDO (500mA)



DEVICE CONNECTOR IS ON USB2



(C) Code Red Technologies Inc. 2012		
Title POWER/USB DEVICE/USB HOST		
Size B	Document Number RDB4078 PAGE6	Rev 2.0
Date: Wednesday, July 25, 2012	Sheet 6	of 7



I2C Address: 0x34