



Table of Contents	
1	TITLE PAGE
2	NOTES
3	FSL TPMS MODULE

Revisions			
Rev	Description	Date	Approved
X1	Development release	19-Feb-14	P. Bernard
A	Prototype release	28-Feb-14	P. Bernard
B	Added footprint on LFA & LFB for production release	29-Apr-14	P. Bernard
C	Footprint change for matching network on inductors (from 0402 to 0603)	06-Aug-14	P. Bernard
C1	Updated C9 and C20 as Do Not Populate (DNP)	23-Apr-15	P. Bernard
D	Prototype Release	09-June-15	P. Bernard

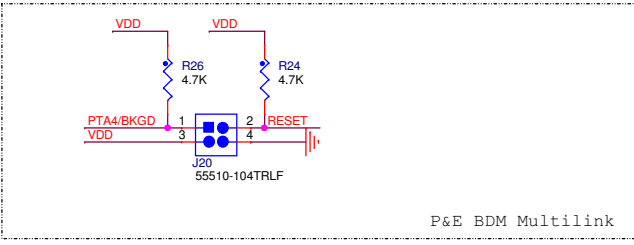
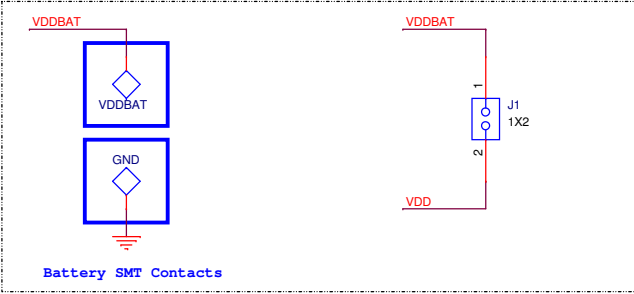
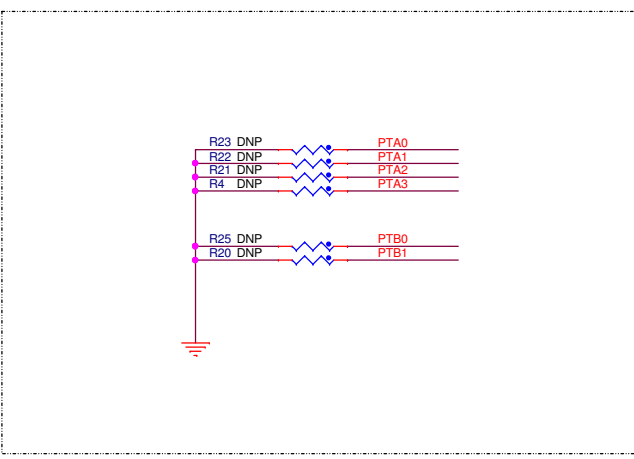
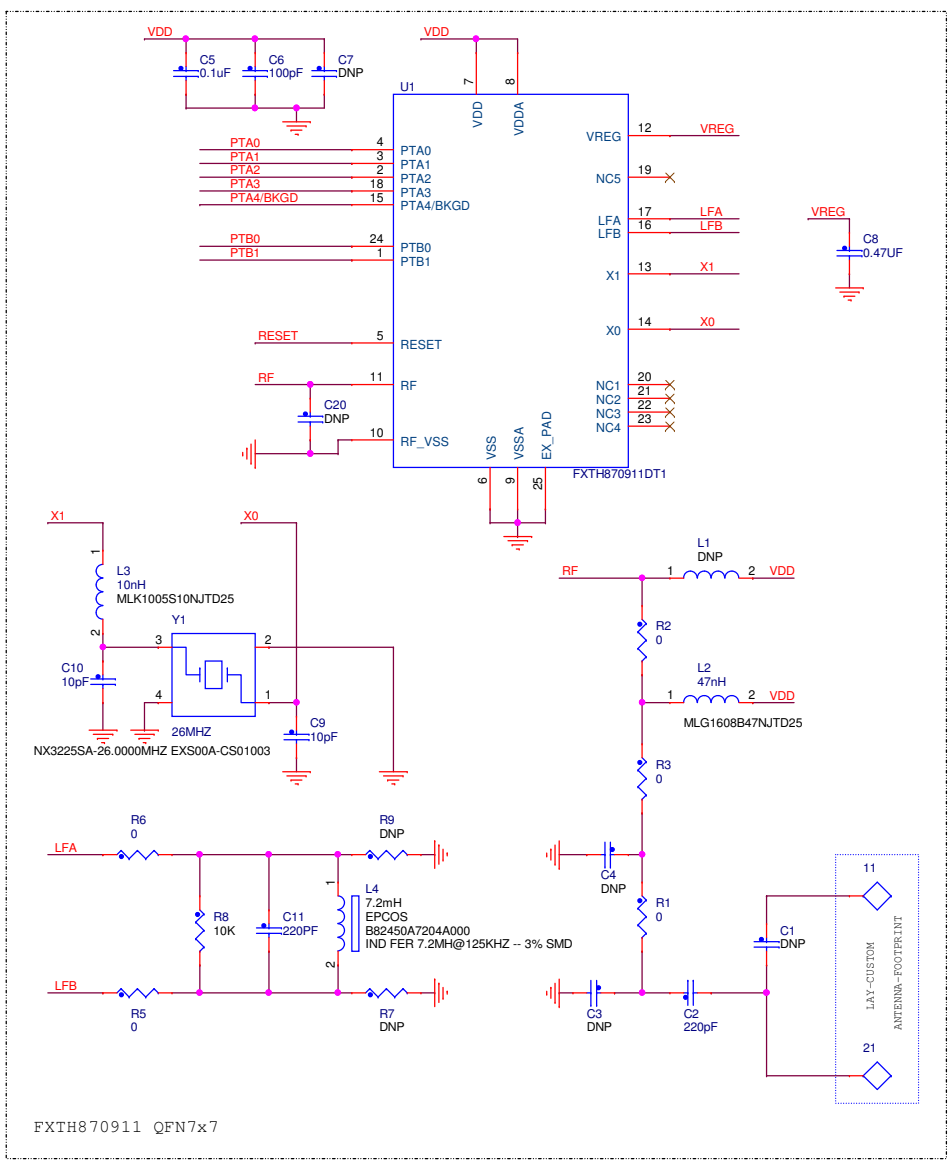
# TPMS870911-315

		<b>Analog Sensor Product Group</b> 6501 William Cannon Drive West Austin, TX 78735-6598	
This document contains information proprietary to Freescale and shall not be used for engineering design, procurement or manufacture in whole or in part without the express written permission of Freescale.			
ICAP Classification: FCP: FIUC: X PUBI:			
Designer: Pascal Bernard	Drawing Title: <b>TPMS870911-315</b>		
Drawn by: Pascal Bernard	Page Title: <b>TITLE PAGE</b>		
Approved: Pascal Bernard	Size B	Document Number SCH-28311 PDF: SPF-28311	Rev D
Date: Tuesday, June 09, 2015		Sheet 1 of 3	



NOTES:

ICAP Classification: FCP: ___ FIUO: X PUBI: ___			
Drawing Title: <b>TPMS870911-315</b>			
Page Title: <b>NOTES</b>			
Size B	Document Number SCH-28311 PDF: SPF-28311	Rev D	
Date: Tuesday, June 09, 2015	Sheet 2	of 3	



FXTM870911 QFN7x7

ICAP Classification:	FCP: ___ FIUO: X PUBI: ___
Drawing Title:	<b>TPMS870911-315</b>
Page Title:	<b>SUBG MODULE</b>
Size B	Document Number SCH-28311 PDF: SPF-28311
Date:	Tuesday, June 09, 2015
Sheet	3 of 3
Rev	D