


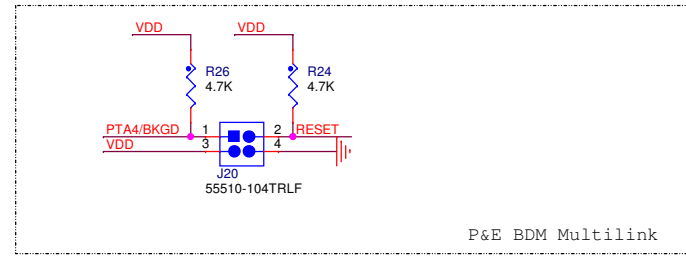
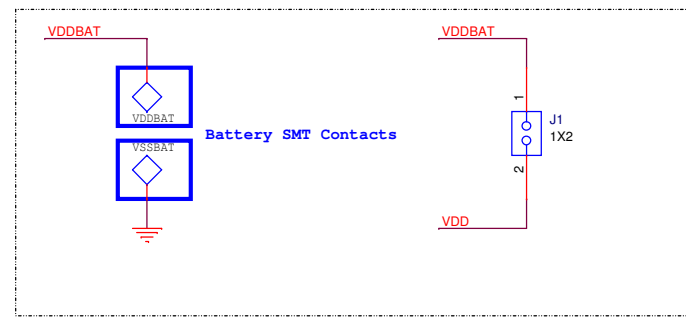
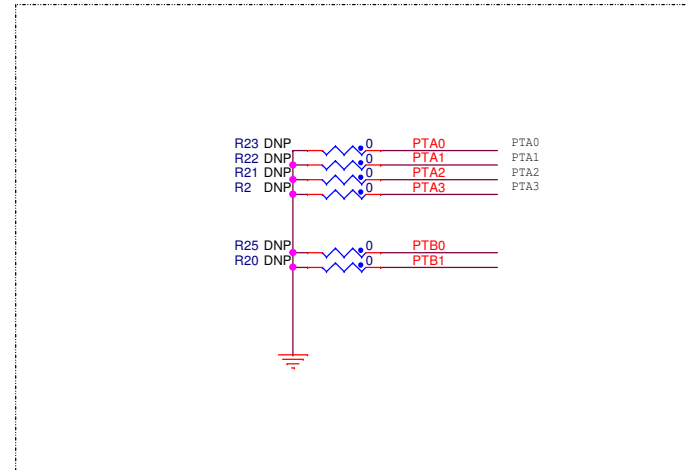
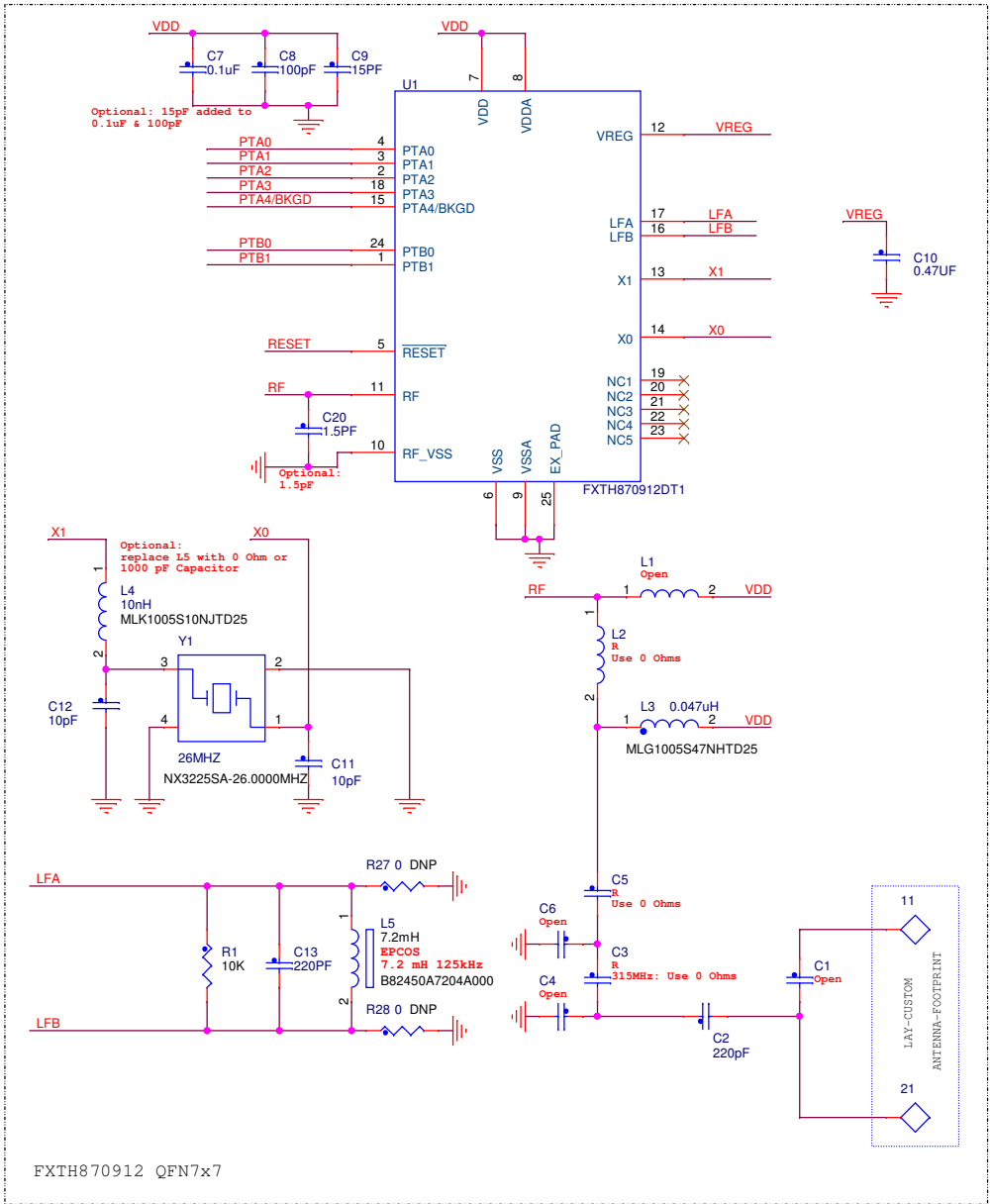
Revisions			
Rev	Description	Date	Approved
X1	Development release	19-Feb-14	P. Bernard
A	Prototype release	28-Feb-14	P. Bernard
B	Added footprint on LFA & LFB for production release	29-Apr-14	P. Bernard

# TPMS870912-315

		<b>Analog Sensor Product Group</b> 6501 William Cannon Drive West Austin, TX 78735-8598	
This document contains information proprietary to Freescale and shall not be used for engineering design, procurement or manufacture in whole or in part without the express written permission of Freescale.			
ICAP Classification:    FCP:    FIUO: X    PUB:			
Designer: Pascal Bernard	Drawing Title: <b>TPMS870912-315</b>		
Drawn by: Pascal Bernard	Page Title: <b>TITLE PAGE</b>		
Approved: Pascal Bernard	Size B	Document Number SCH-28333 PDF: SPF-28333	Rev B
Date: Tuesday, April 29, 2014		Sheet 1 of 3	



ICAP Classification: FCP: _____ FIUO: X PUBI: _____			
Drawing Title: <b>TPMS870912-315</b>			
Page Title: <b>NOTES</b>			
Size B	Document Number	SCH-28333 PDF: SPF-28333	Rev B
Date:	Tuesday, April 29, 2014	Sheet 2	of 3



FXTX870912 QFN7x7

ICAP Classification:	FCP: _____ FIUO: X PUBI: _____
Drawing Title:	
<b>TPMS870912-315</b>	
Page Title:	
<b>SUBG MODULE</b>	
Size B	Document Number SCH-28333 PDF: SPF-28333
Date:	Tuesday, April 29, 2014
Sheet	3 of 3
Rev B	