



Table of Contents

1	Title
2	Notes
3	Sensors

Revisions

Rev	Description	Date
X1	Original Release	09-13-13

BRKT-STBC-AGM01



RASG - Inertial

2100 E. Elliot Rd
Tempe, AZ 85284

This document contains information proprietary to Freescale Semiconductor and shall not be used for engineering design, procurement or manufacture in whole or in part without the express written permission of Freescale Semiconductor.

ICAP Classification: FCP: FIUO: PUBI: X

Designer: Krithi S	Drawing Title: BRKT-STBC-AGM01		
Drawn by: Krithi S	Page Title: CONTENT		
Approved: Team	Size B	Document Number SCH-28568 PDF: SPF-28568	Rev X1
	Date: Friday, December 19, 2014	Sheet 1	of 3


- i. Unless Otherwise Specified:
 - All resistors are in ohms, most are 1%, 1/10 Watt. Otherwise are 5%, 1/8 Watt.
 - All capacitors are in uF, some are 10% or 20%
 - All voltages are DC
 - All polarized capacitors are tantalum
- 2. Interrupted lines coded with the same letter or letter combinations are electrically connected.
- 3. Device type number is for reference only. The number varies with the manufacturer.
- 4. Special signal usage:
 - _B Denotes - Active-Low Signal
 - <> or [] Denotes - Vectored Signals
- 5. Interpret diagram in accordance with American National Standards Institute specifications, current revision, with the exception of logic block symbology.

D

C

B

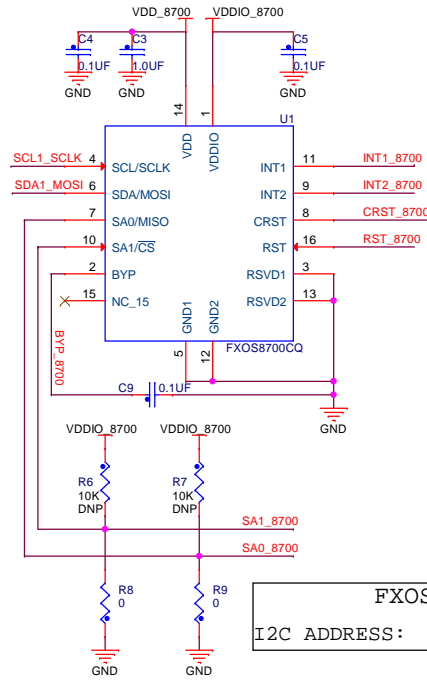
A

			
ICAP Classification: FCP: _____ FIUO: X PUBI: _____			
Drawing Title: BRKT-STBC-AGM01			
Page Title: NOTES			
Size B	Document Number SCH-28568 PDF: SPF-28568	Rev X1	
Date: Friday, December 19, 2014	Sheet 2 of 3		1

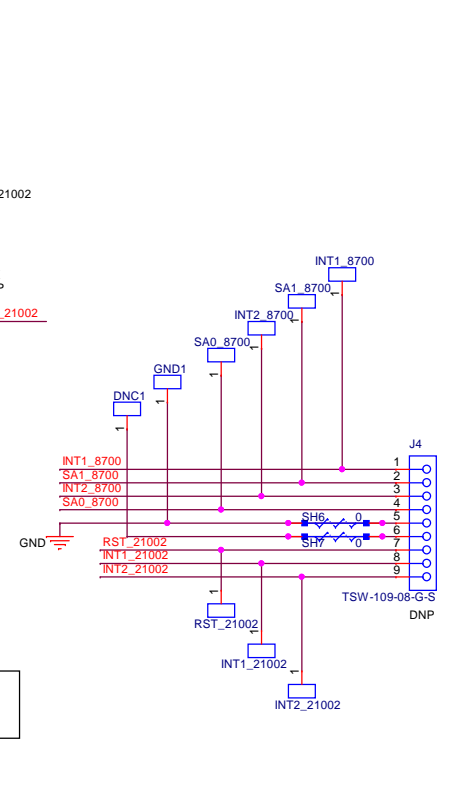
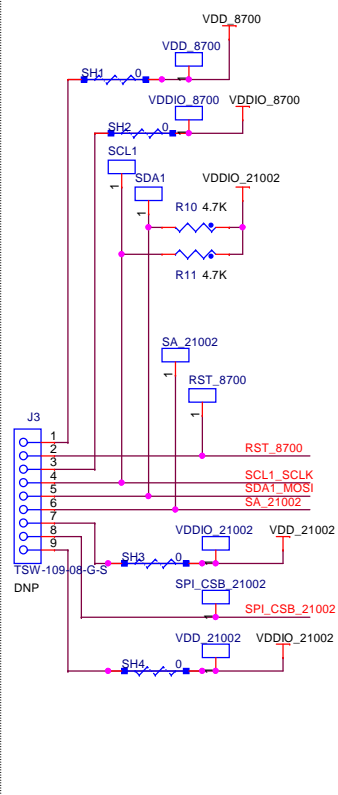
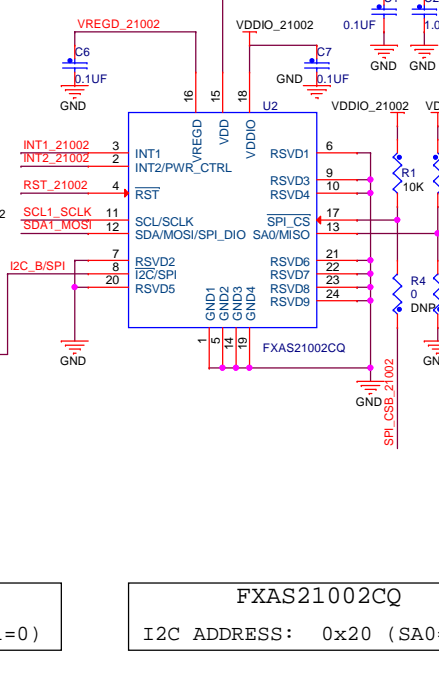


EDGE OF BRKOUT BOARD

FXOS8700CQ COMBO SENSOR



FXAS21002CQ GYROSCOPE



freescale

ICAP Classification: FCP: _____ FIUO: X PUBL: _____
 Drawing Title: **BRKT-STBC-AGM01**

Page Title: **SENSORS**

Size B	Document Number SCH-28568 PDF: SPF-28568	Rev X1
--------	--	--------

Date: Friday, December 19, 2014 Sheet 3 of 3