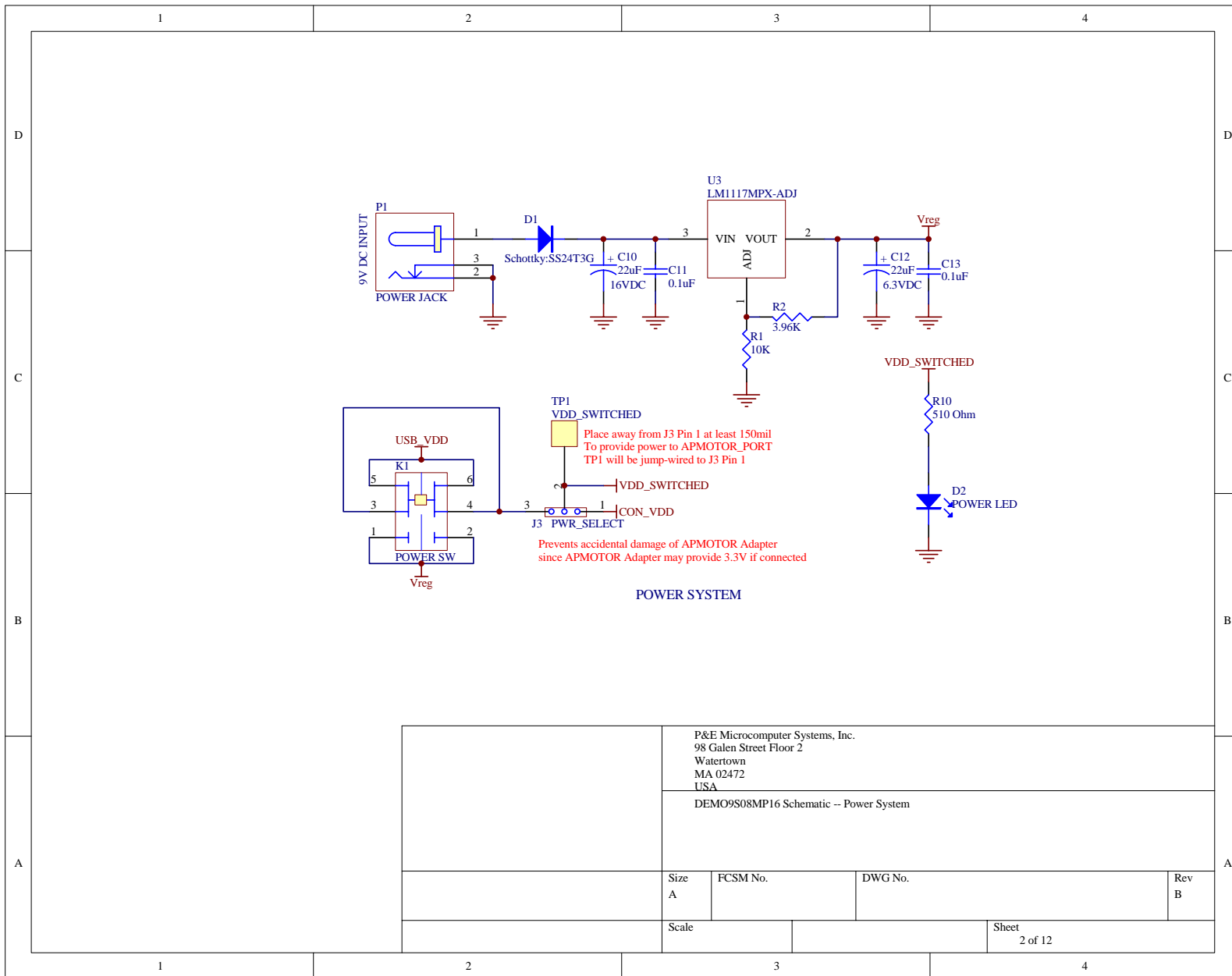


P&E Microcomputer Systems, Inc.  
98 Galen Street Floor 2  
Watertown  
MA 02472  
USA

DEMO9S08MP16 Schematic -- Main Page

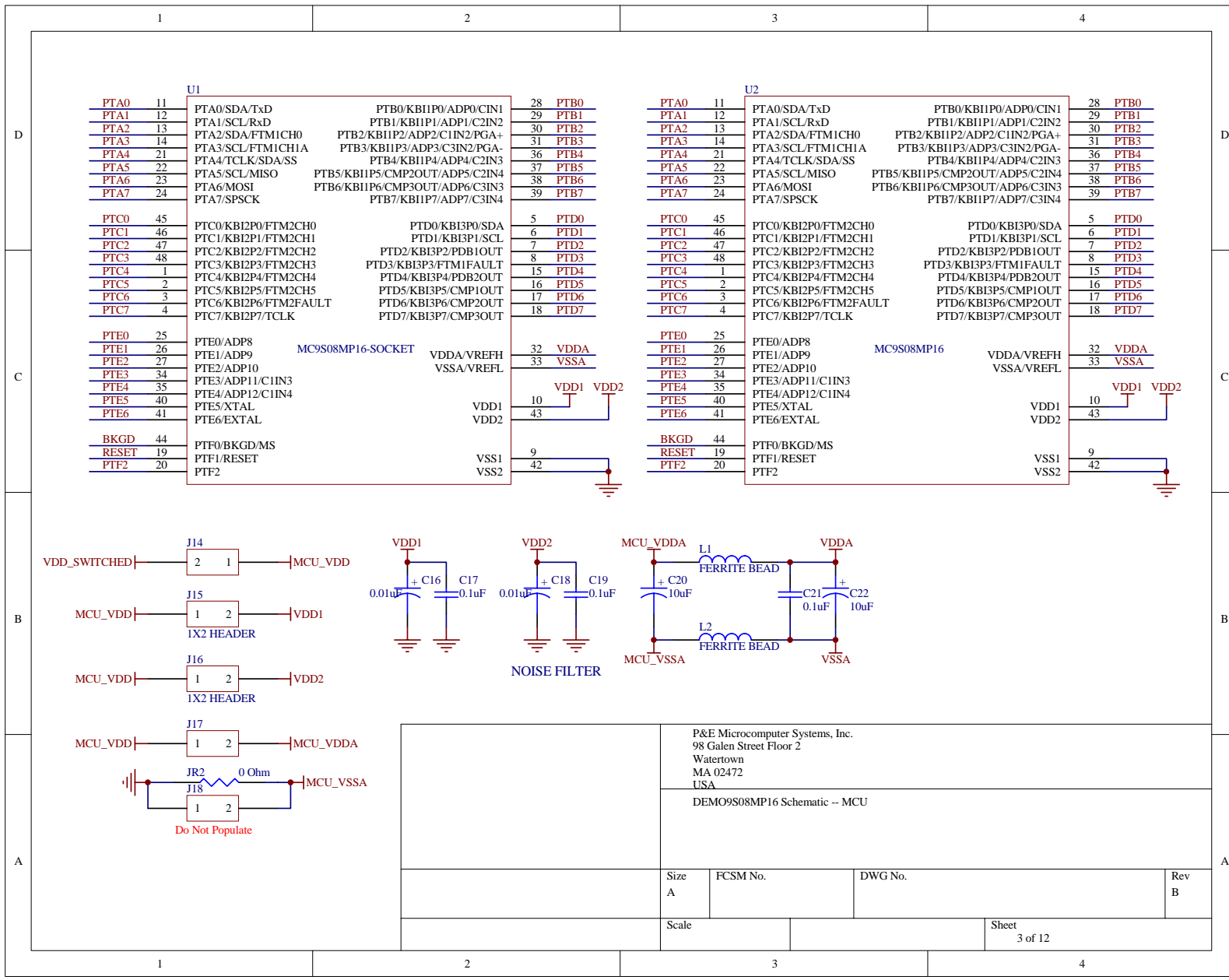
Size A	FCSM No.	DWG No.	Rev B
Scale	Sheet 1 of 12		

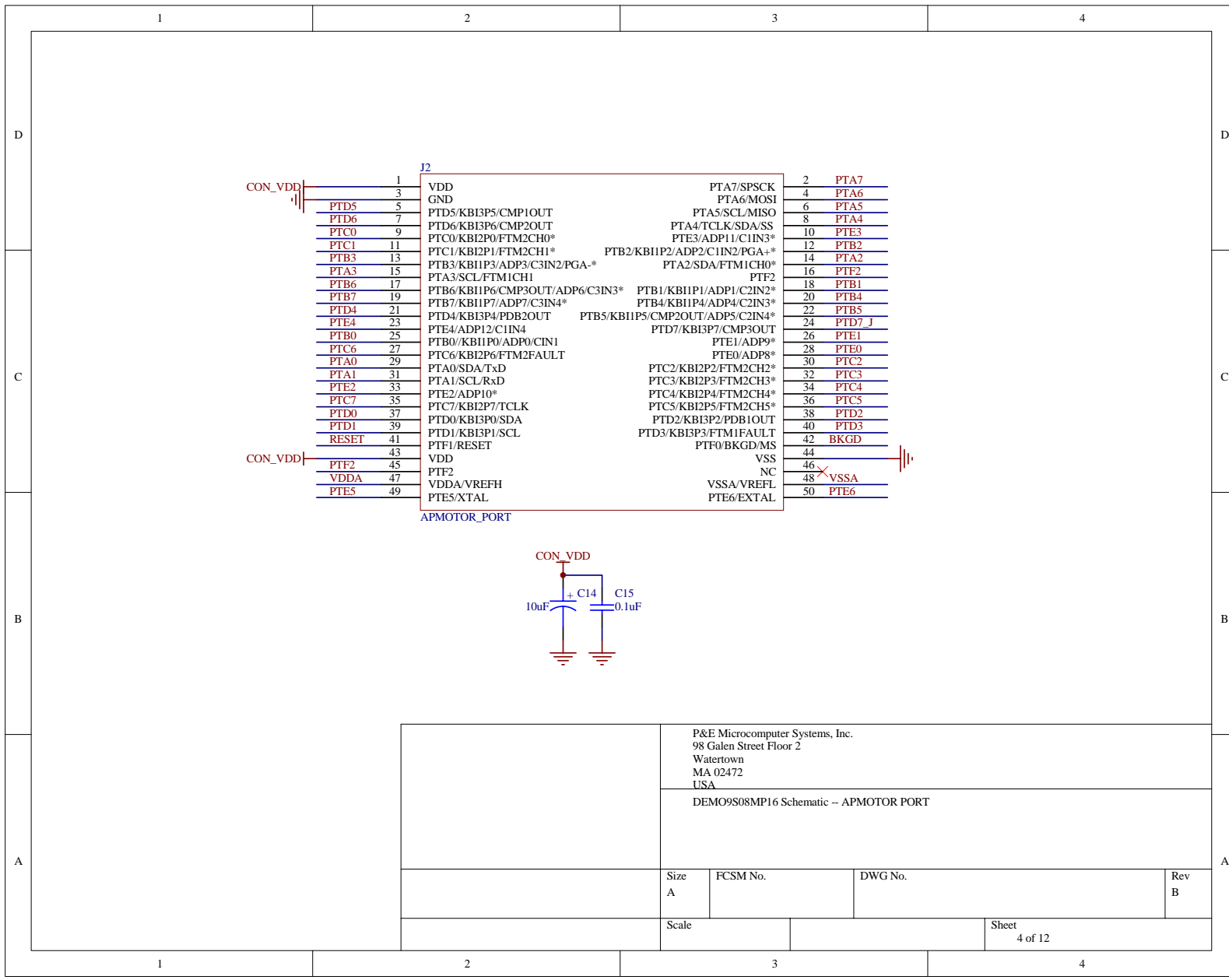


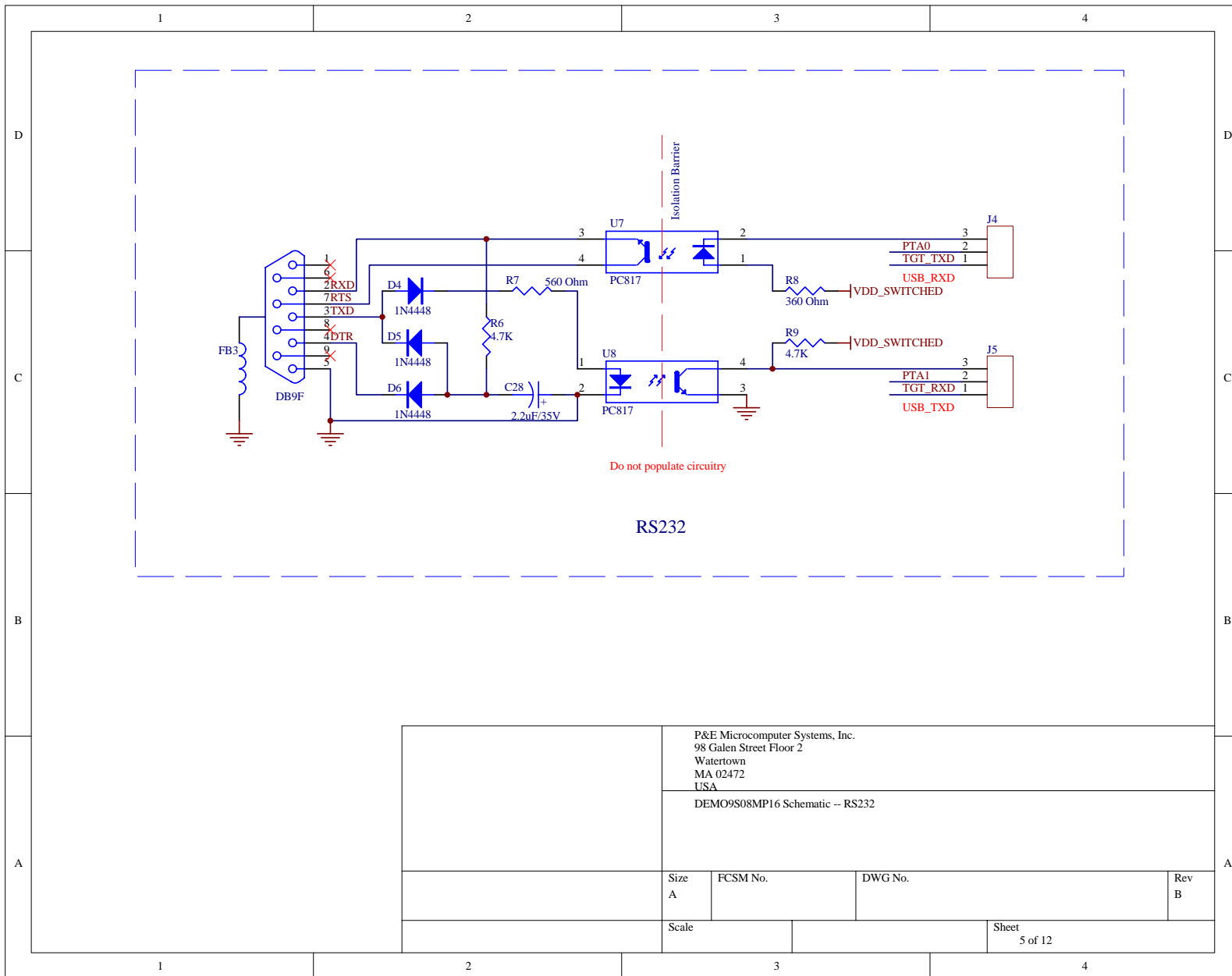
P&E Microcomputer Systems, Inc.  
 98 Galen Street Floor 2  
 Watertown  
 MA 02472  
 USA

DEMO9S08MP16 Schematic -- Power System

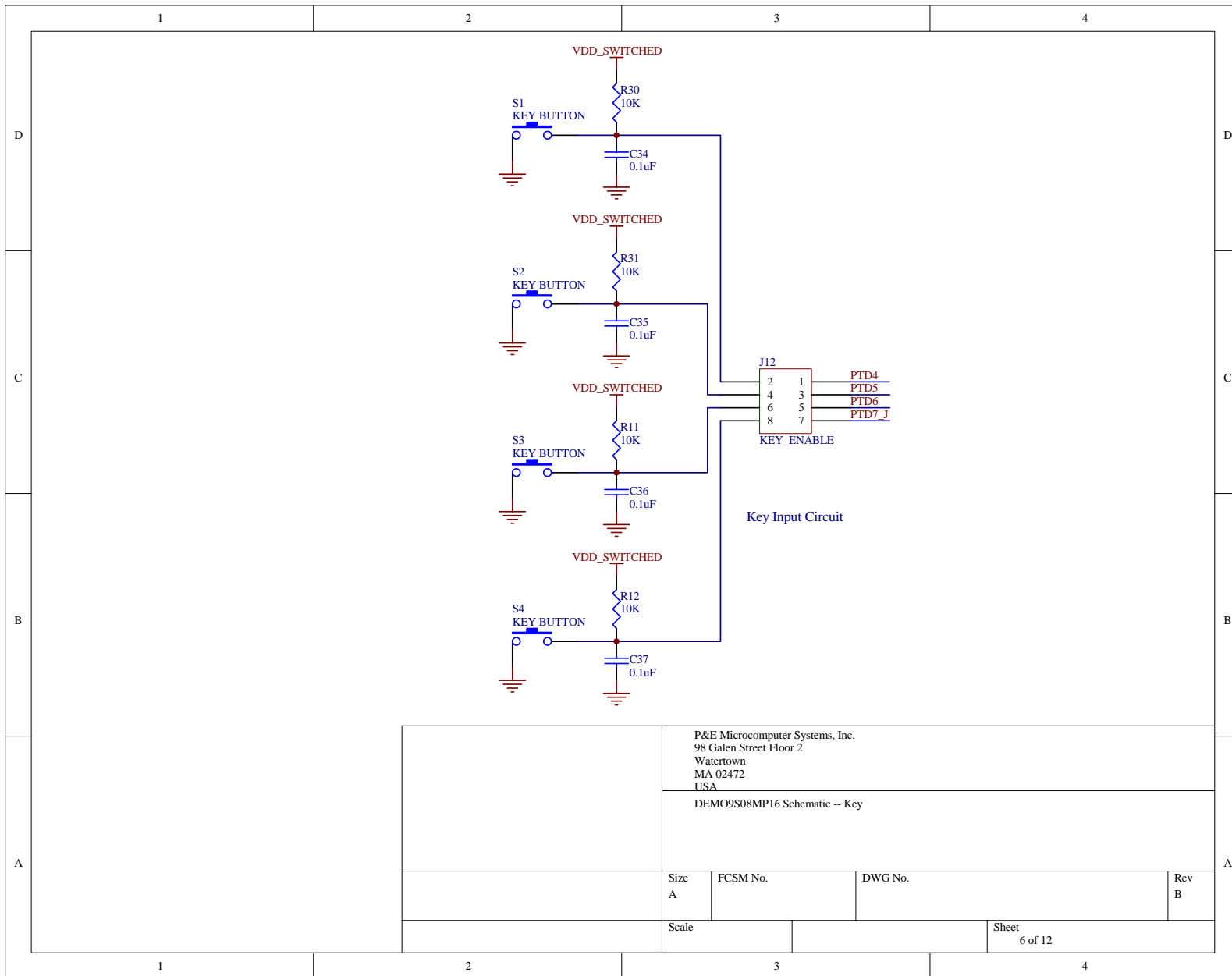
Size A	FCSM No.	DWG No.	Rev B
Scale	Sheet 2 of 12		







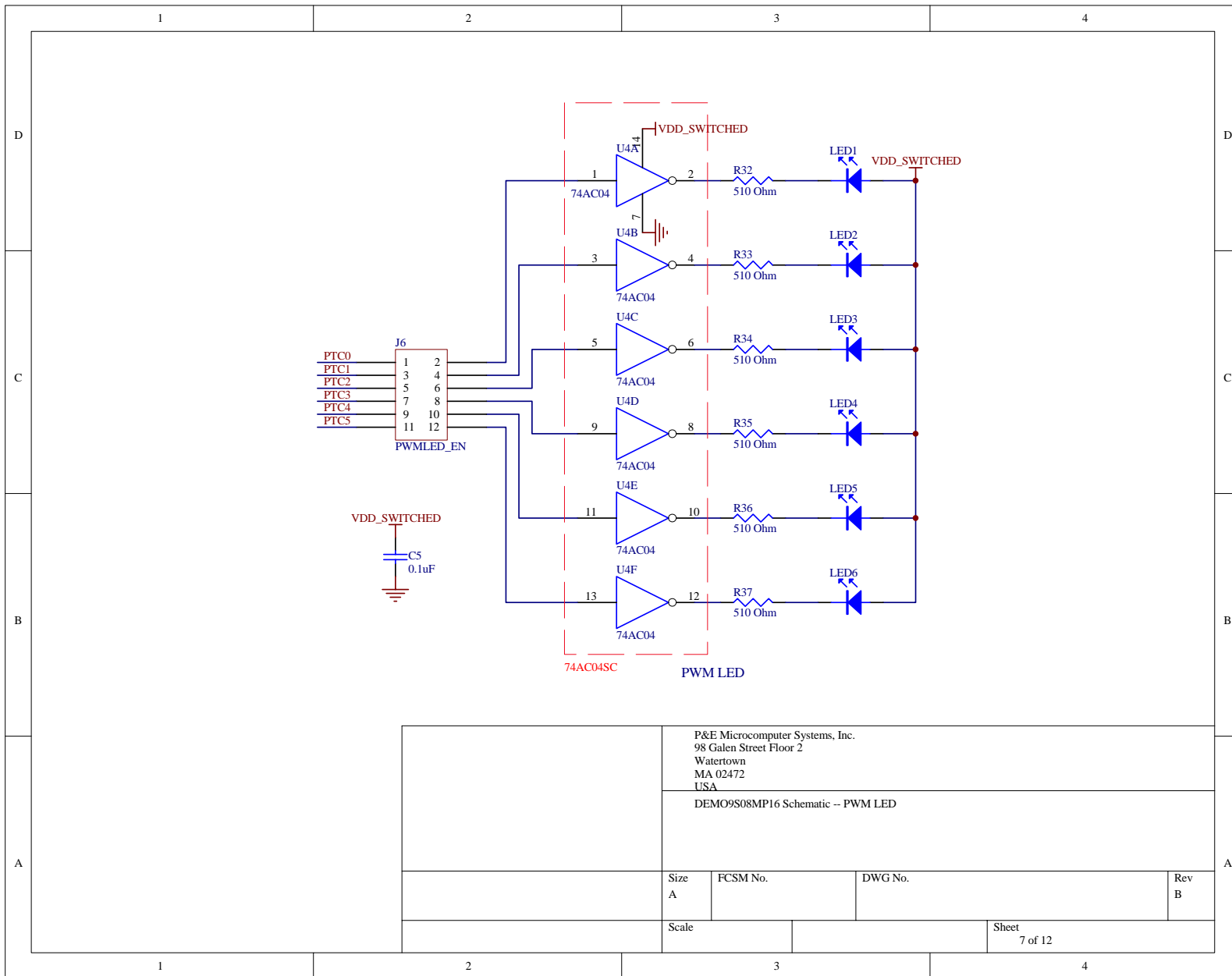
P&E Microcomputer Systems, Inc. 98 Galen Street Floor 2 Watertown MA 02472 USA			
DEMO9S08MP16 Schematic -- RS232			
Size A	FCSM No.	DWG No.	Rev B
Scale			Sheet 5 of 12



P&E Microcomputer Systems, Inc.  
 98 Galen Street Floor 2  
 Watertown  
 MA 02472  
 USA

DEMO9S08MP16 Schematic -- Key

Size A	FCSM No.	DWG No.	Rev B
Scale	Sheet 6 of 12		

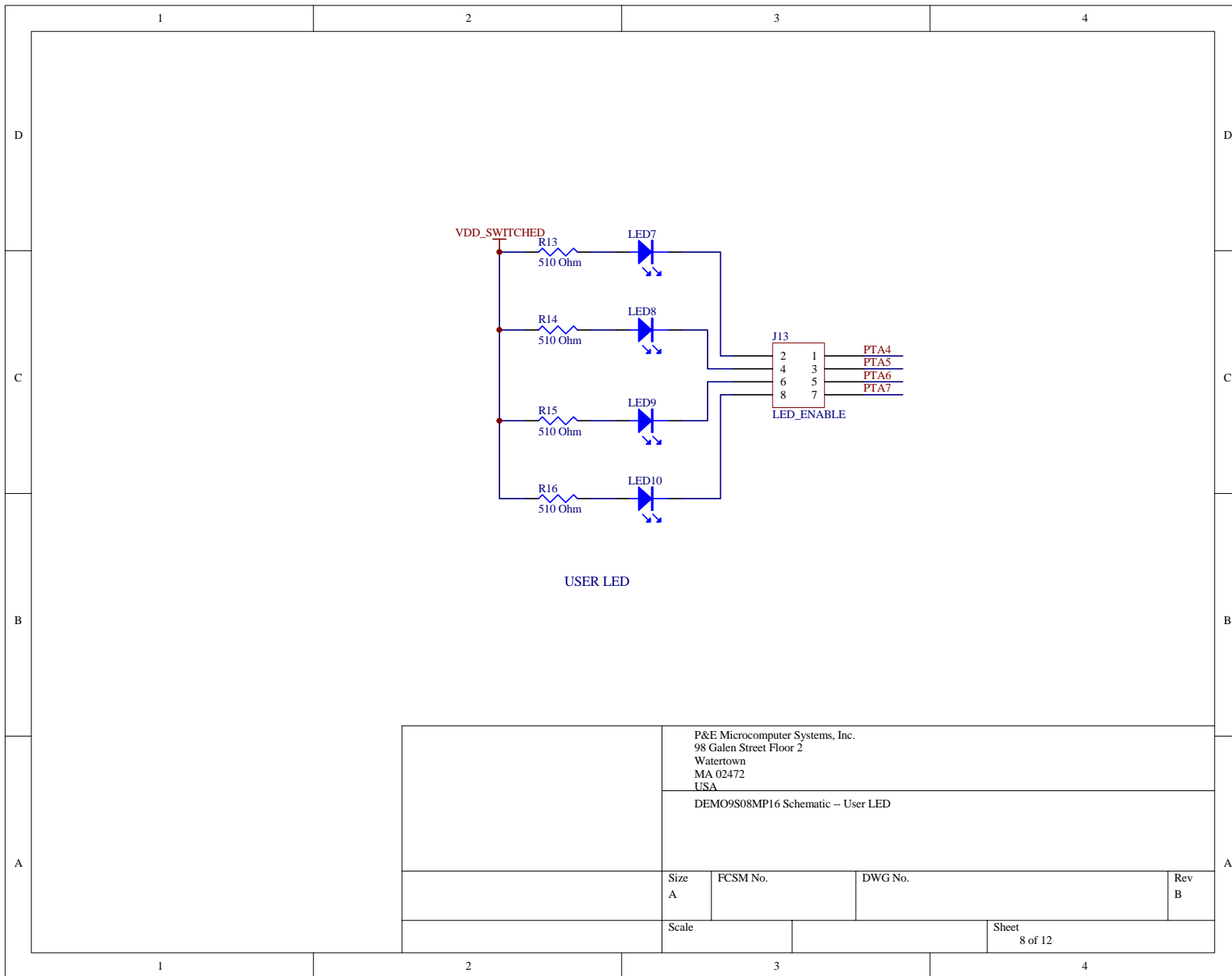


P&E Microcomputer Systems, Inc.  
 98 Galen Street Floor 2  
 Watertown  
 MA 02472  
 USA

DEMO9S08MP16 Schematic -- PWM LED

Size A	FCSM No.	DWG No.	Rev B
-----------	----------	---------	----------

Scale	Sheet 7 of 12
-------	------------------



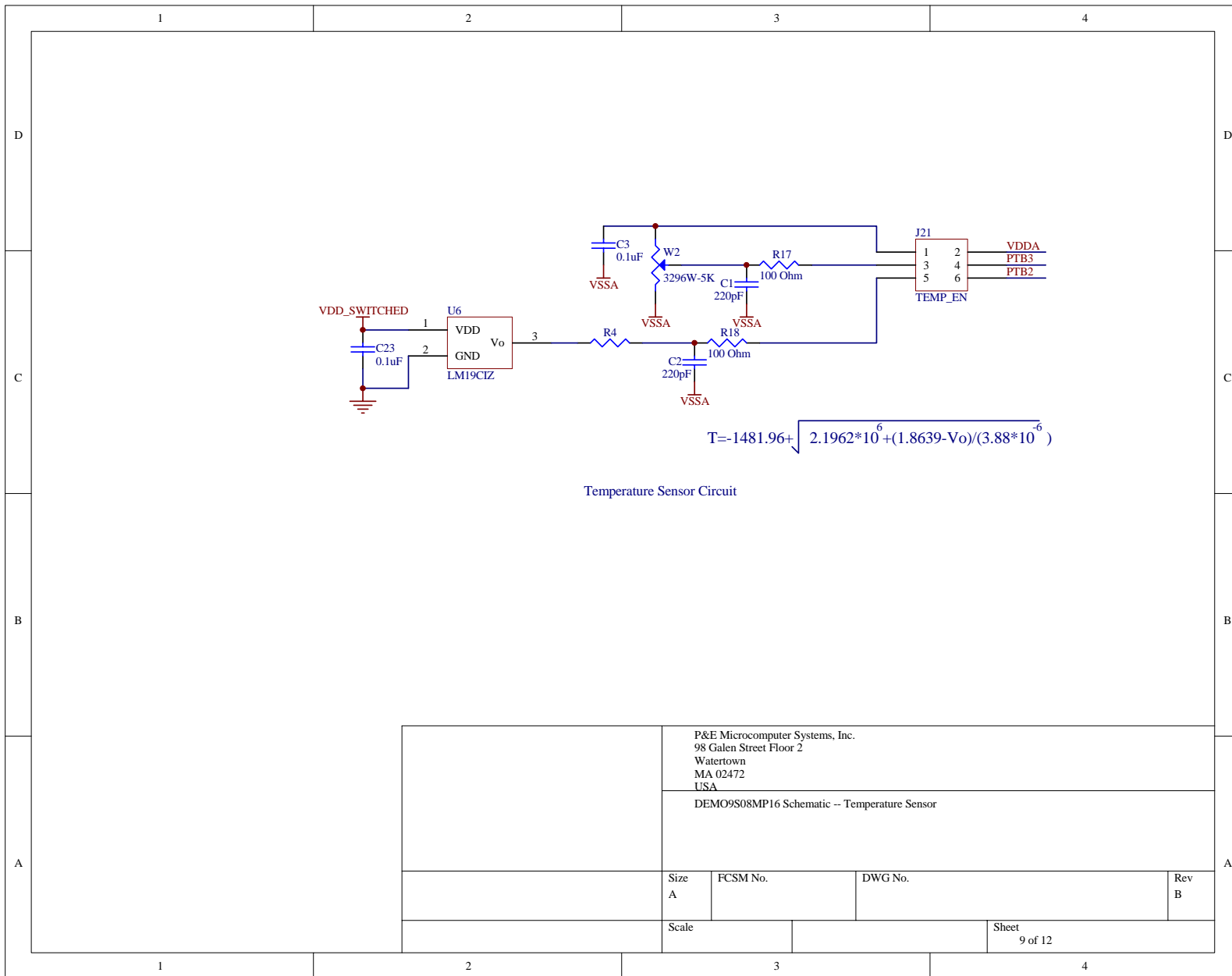
P&E Microcomputer Systems, Inc.  
 98 Galen Street Floor 2  
 Watertown  
 MA 02472  
 USA

DEMO9S08MP16 Schematic -- User LED

Size A	FCSM No.	DWG No.	Rev B
-----------	----------	---------	----------

Scale	Sheet 8 of 12
-------	------------------

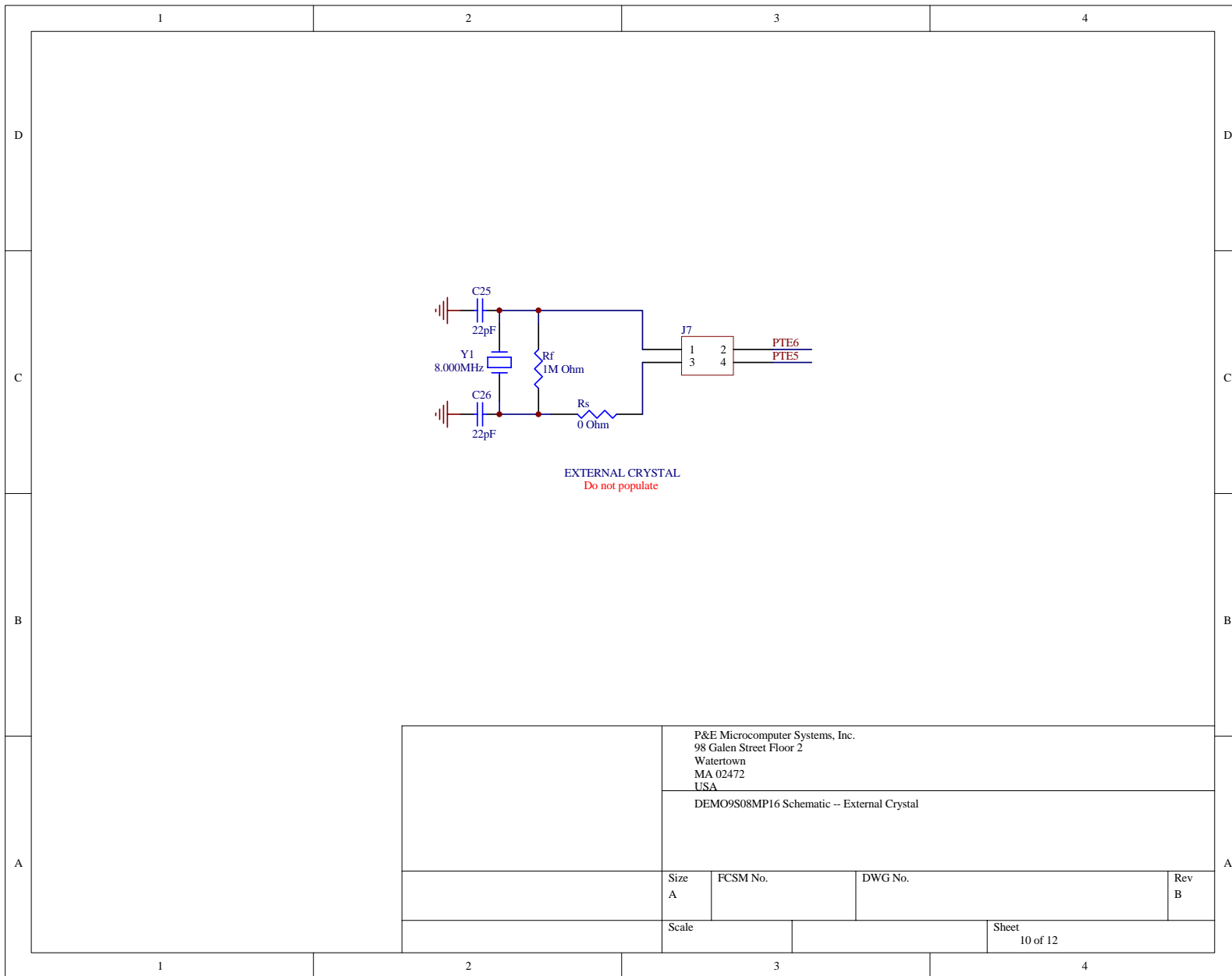




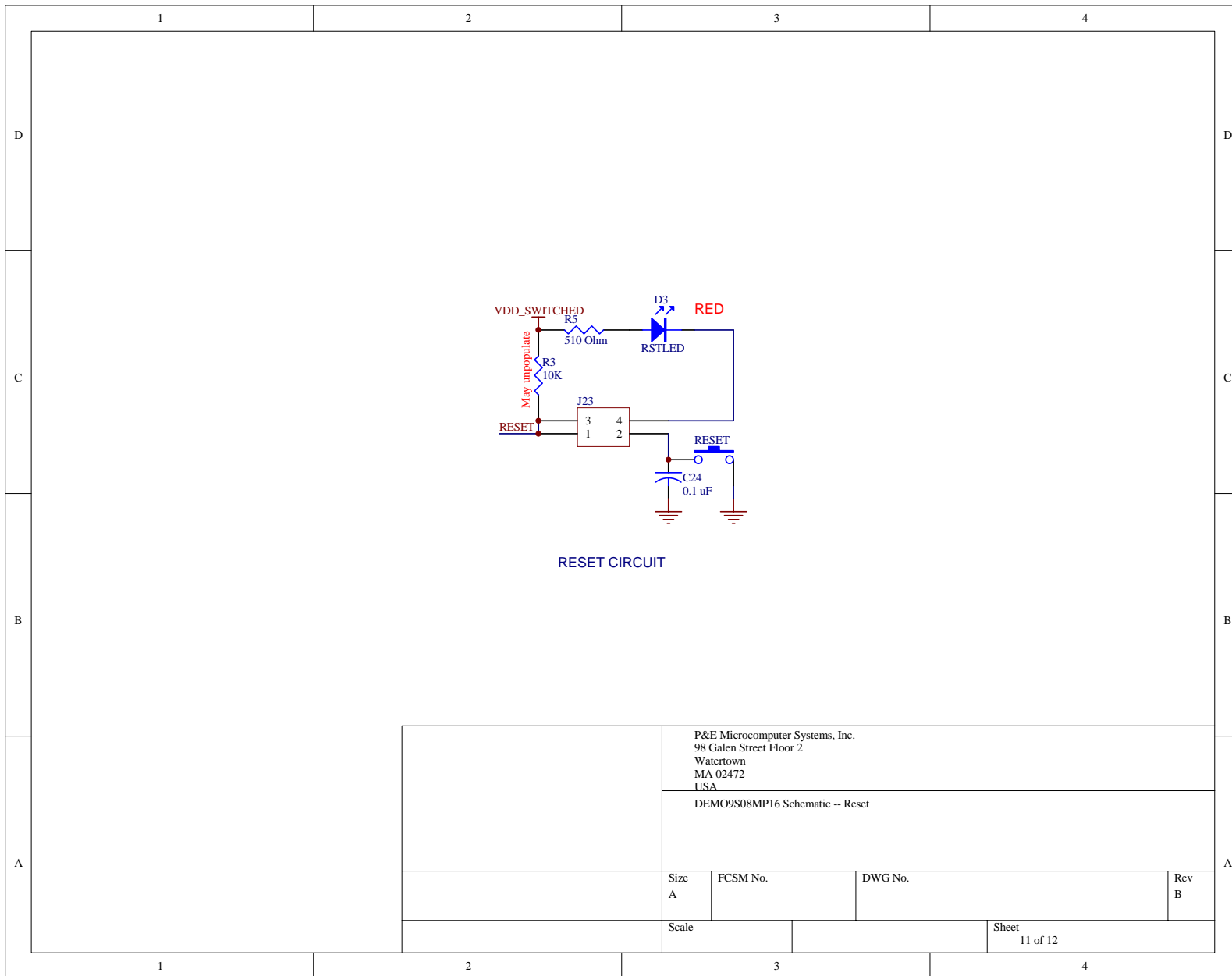
P&E Microcomputer Systems, Inc.  
 98 Galen Street Floor 2  
 Watertown  
 MA 02472  
 USA

DEMO9S08MP16 Schematic -- Temperature Sensor

Size A	FCSM No.	DWG No.	Rev B
Scale	Sheet 9 of 12		



		P&E Microcomputer Systems, Inc. 98 Galen Street Floor 2 Watertown MA 02472 USA		
		DEMO9S08MP16 Schematic -- External Crystal		
Size	FCSM No.	DWG No.	Rev	
A			B	
Scale		Sheet		
		10 of 12		

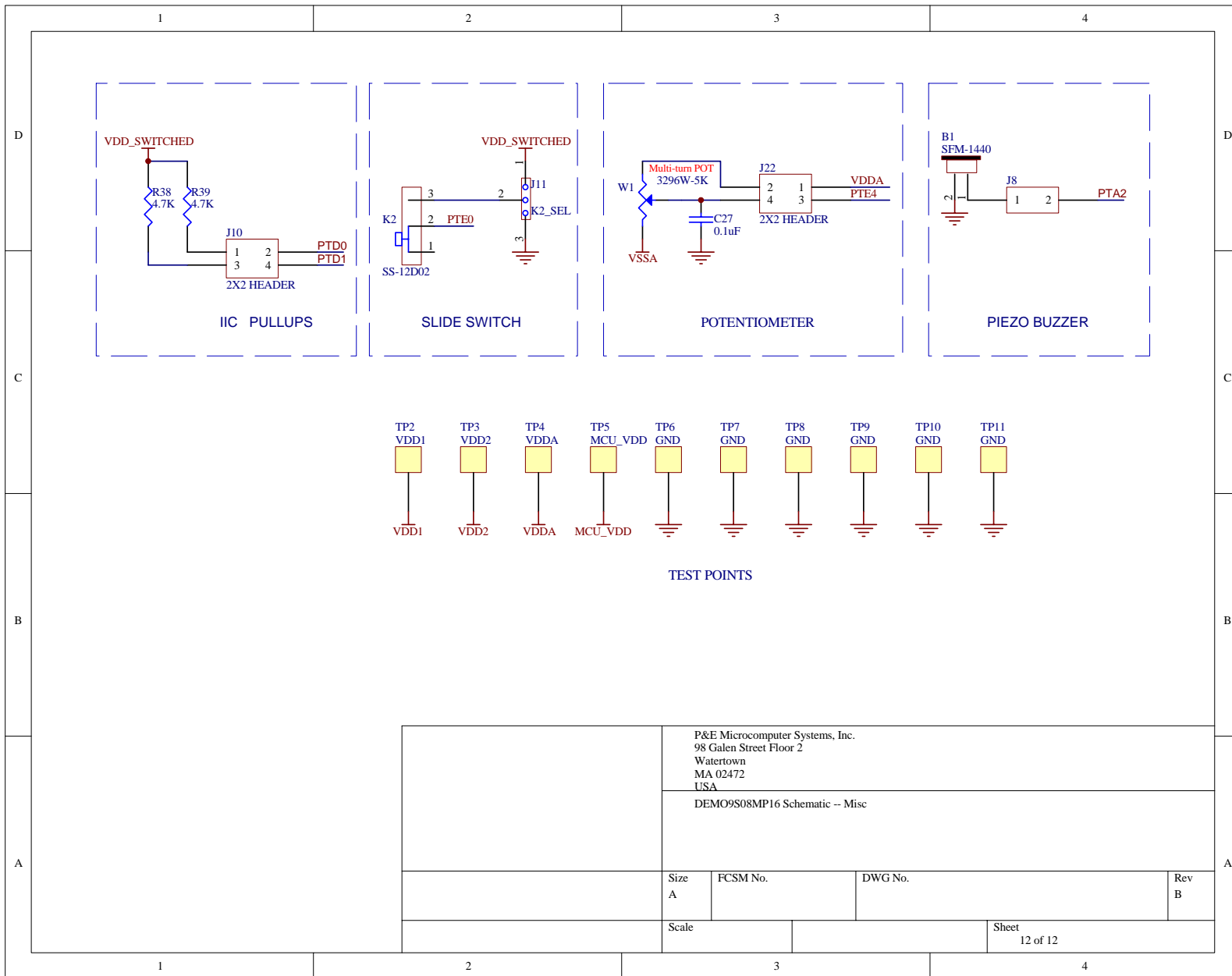


P&E Microcomputer Systems, Inc.  
 98 Galen Street Floor 2  
 Watertown  
 MA 02472  
 USA

DEMO9S08MP16 Schematic -- Reset

Size A	FCSM No.	DWG No.	Rev B
-----------	----------	---------	----------

Scale	Sheet 11 of 12
-------	-------------------



P&E Microcomputer Systems, Inc.  
 98 Galen Street Floor 2  
 Watertown  
 MA 02472  
 USA

DEMO9S08MP16 Schematic -- Misc

Size A	FCSM No.	DWG No.	Rev B
Scale		Sheet 12 of 12	