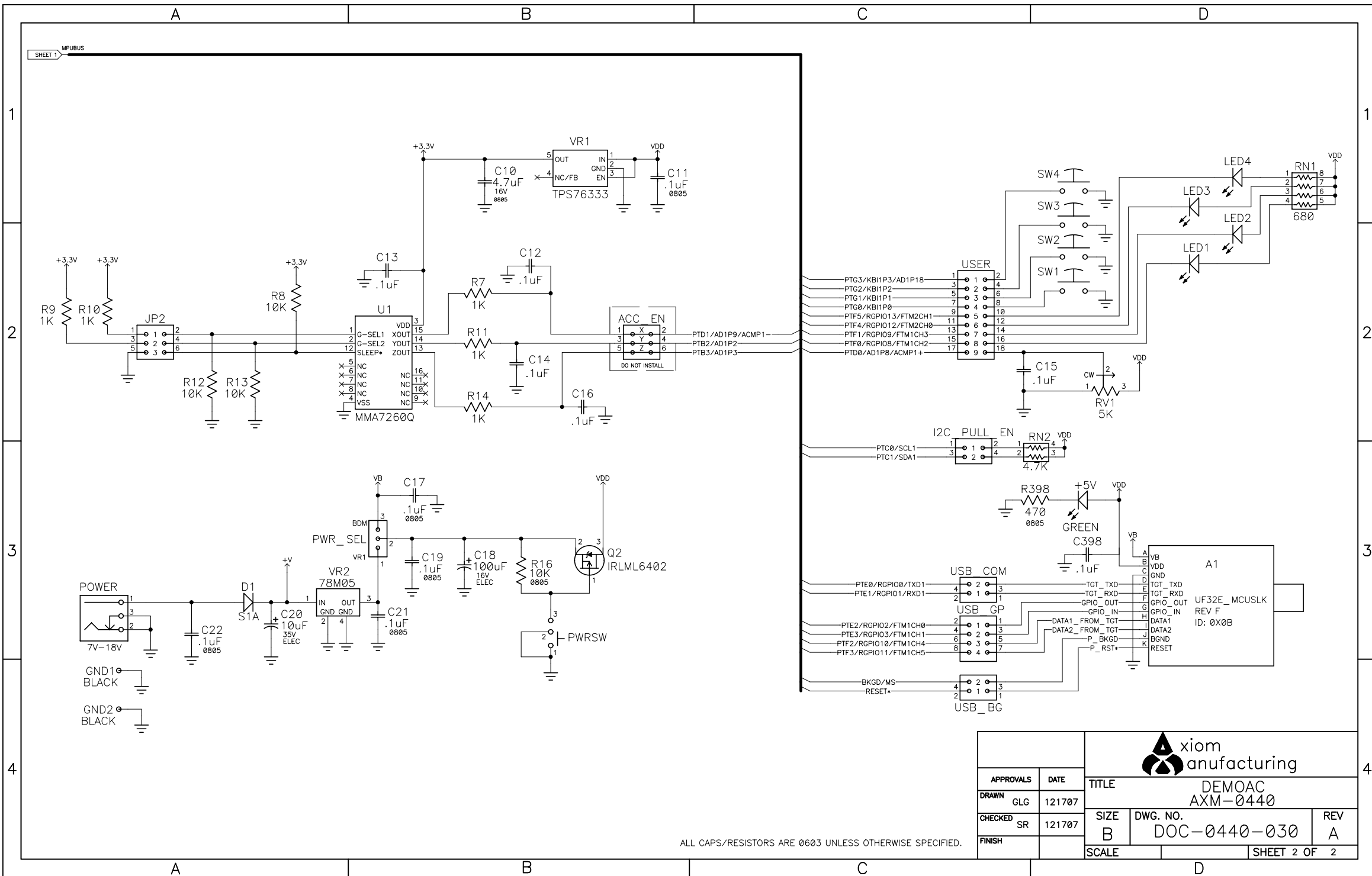


ALL CAPS/RESISTORS ARE 0603 UNLESS OTHERWISE SPECIFIED.

APPROVALS		DATE	TITLE	
DRAWN	GLG	1/31/08	DEMOAC AXM-0440	
CHECKED	SR	121707	SIZE	DWG. NO.
FINISH			B	DOC-0440-030
			REV	A1
			SCALE	SHEET 1 OF 2





ALL CAPS/RESISTORS ARE 0603 UNLESS OTHERWISE SPECIFIED.

APPROVALS		DATE	TITLE	
DRAWN	GLG	121707	DEMOAC AXM-0440	
CHECKED	SR	121707	SIZE	DWG. NO.
FINISH			B	DOC-0440-030
			SCALE	REV
				A
			SHEET 2 OF 2	

