

NXP DEVKIT-ZVL128

Table of Contents	
02	BLOCK DIAGRAM AND NOTES
03	I/O Headers
04	Power/MCU
05	Peripherals
06	USB/OSBDM

Revisions			
Rev	Description	Designer	Date
X1	Initial Draft A070 Release	Alejandro Cervantes	07/07/15
A	Prototype release	Alejandro Cervantes	07/29/15

CAUTION :

This schematic is provided for reference purposes only. As such, Freescale does not make any warranty, implied or otherwise, as to the suitability of circuit design or component selection (type or value) used in these schematics for hardware design using the NXP S12 family of Microprocessors. Customers using any part of these schematics as a basis for hardware design, do so at their own risk and Freescale does not assume any liability for such a hardware design.

User notes are given throughout the schematics.

Specific PCB LAYOUT notes are detailed in ITALICS

3 Different test points used in design:

TPx - Test point pad

TPHx - Through Hole Pad Large (for standard 0.1" header). Also used on IO Matrix (IOMx)

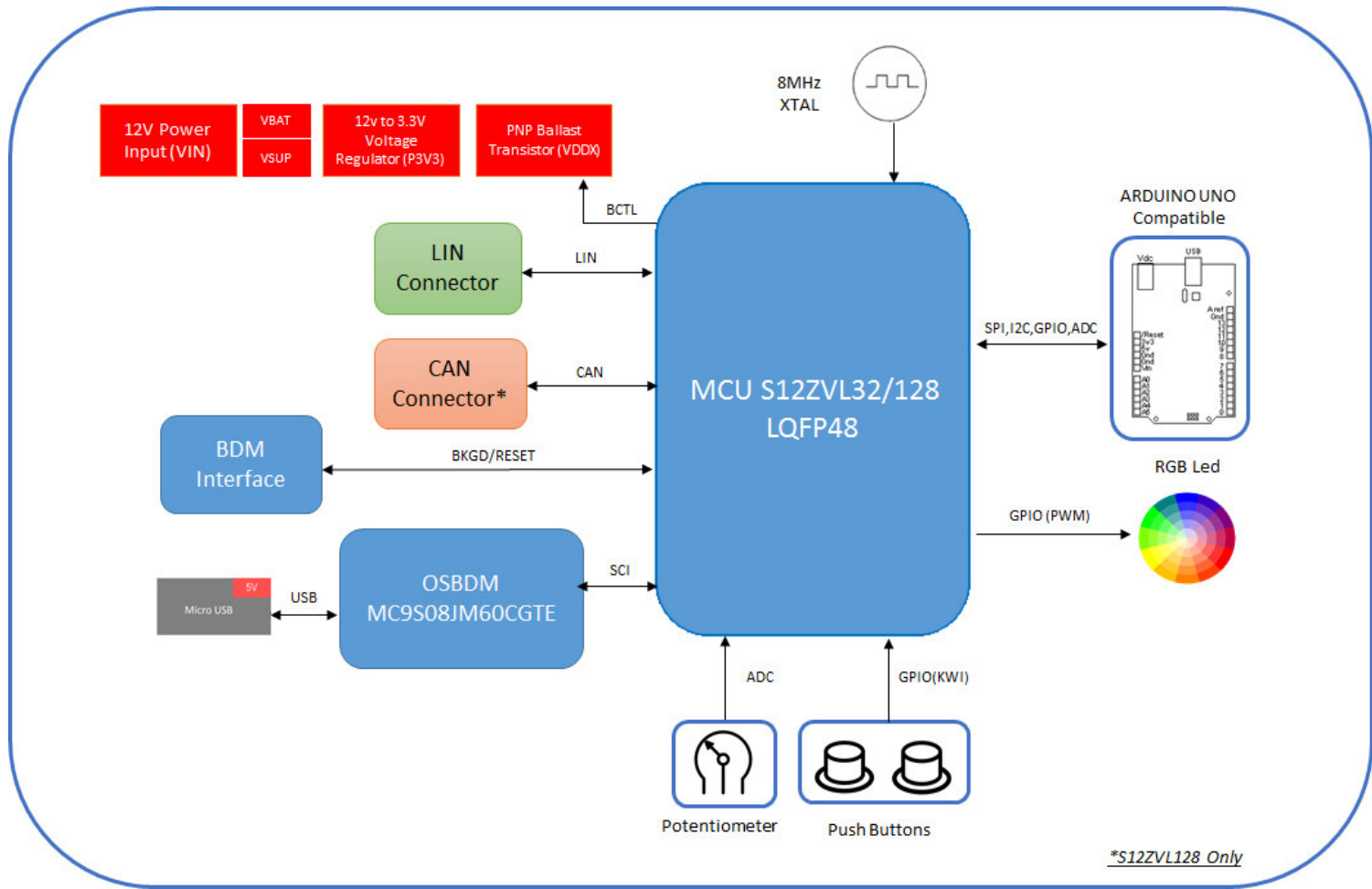
TSx - Surface Mount Wire Loop



Notes:

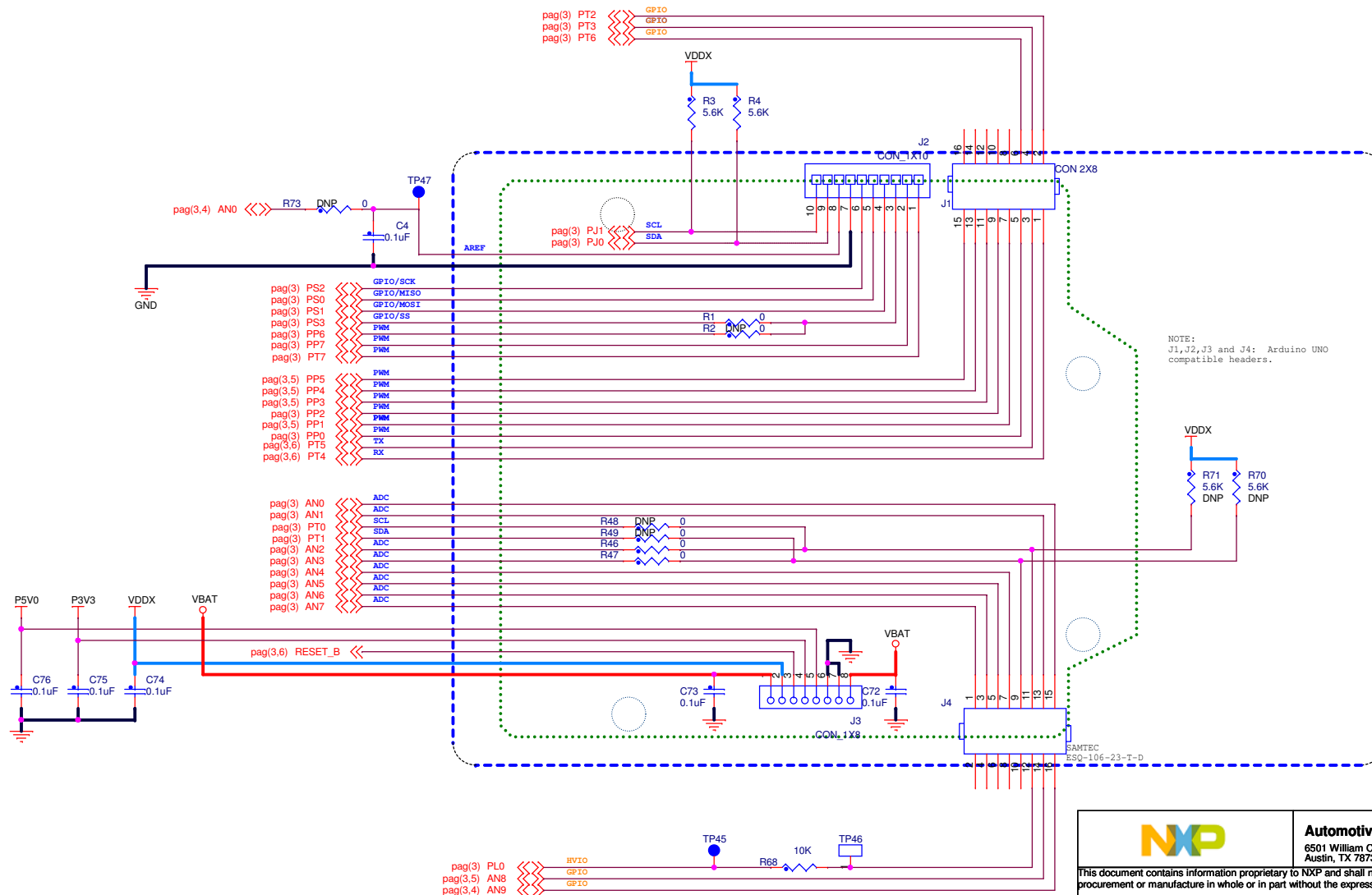
- All components and board processes are to be ROHS compliant
- All connectors and headers are denoted Jx/Px and are 2.54mm pitch unless otherwise stated
- All jumpers are denoted Jx.
- Jumper default positions are shown in the schematics. For 3 way jumpers, default is always position 1-2.
- 2 Pin jumpers generally have the "source" on pin 1.
- All switches are denoted SWx
- All test points (SMT wire loop style) are denoted TPx
- Test point Vias (just through hole pads) are denoted TPVx

		Automotive Product Group 6501 William Cannon Drive West Austin, TX 78735-8598	
This document contains information proprietary to NXP and shall not be used for engineering design, procurement or manufacture in whole or in part without the express written permission of NXP Semiconductors.			
ICAP Classification:		CP:	IUC: X PUBL:
Designer: Alejandro Cervantes	Drawing Title: DEVKIT-ZVL128		
Drawn by: Alejandro Cervantes	Page Title: TITLE /NOTES		
Approved: Jesus Sanchez	Size B	Document Number SCH-29227 PDF: SPF-29227	Rev A
Date:	Monday, March 07, 2016	Sheet	1 of 6



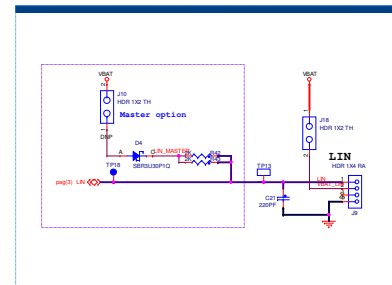
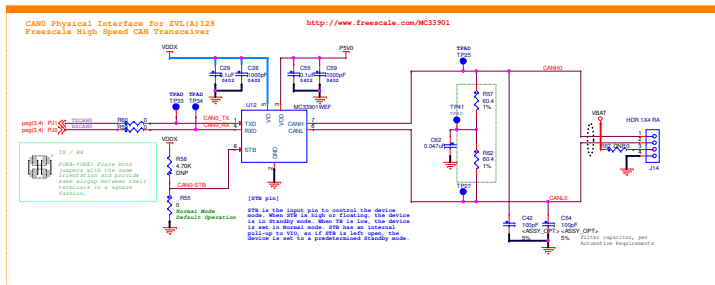
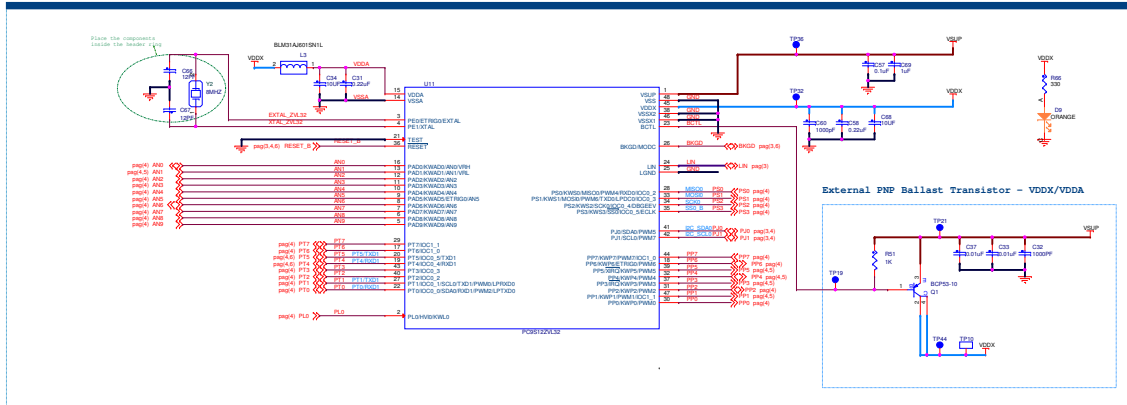
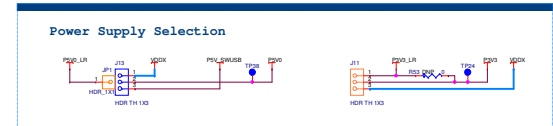
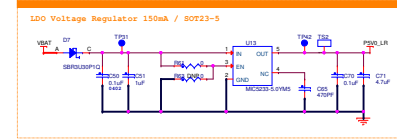
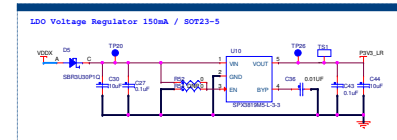
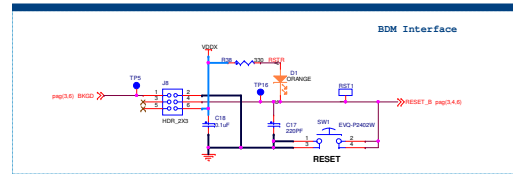
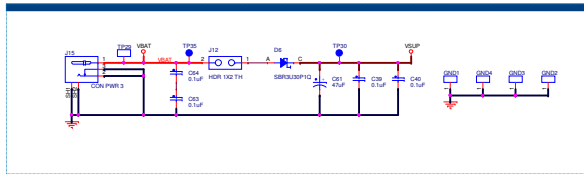
**S12ZVL128 Only*

		Automotive Product Group 6501 William Cannon Drive West Austin, TX 78735-8598	
This document contains information proprietary to NXP and shall not be used for engineering design, procurement or manufacture in whole or in part without the express written permission of NXP Semiconductors.			
ICAP Classification:		CP:	IUC: X PUBL:
Designer: Alejandro Cervantes	Drawing Title: DEVKIT-ZVL128		
Drawn by: Alejandro Cervantes	Page Title: DIAGRAM BLOCK		
Approved: Jesus Sanchez	Size B	Document Number SCH-29227 PDF: SPF-29227	Rev A
Date: Monday, March 07, 2016	Sheet 2 of 6		1

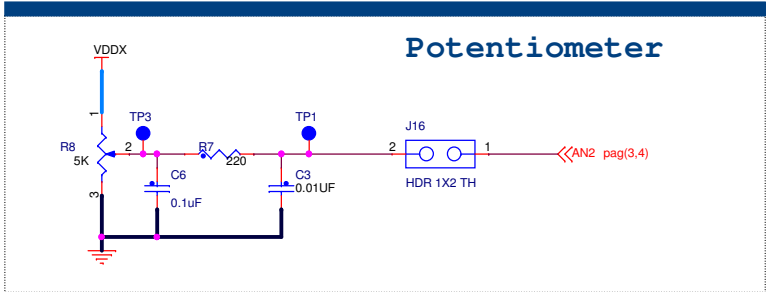
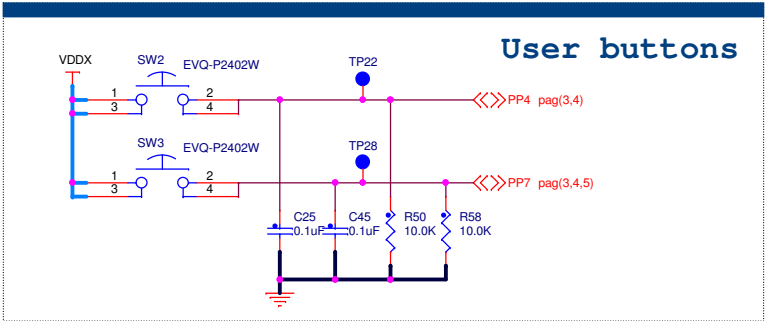
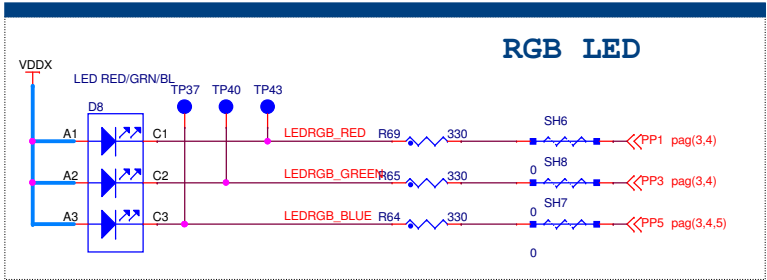


NOTE:
J1, J2, J3 and J4: Arduino UNO compatible headers.

		Automotive Product Group 6501 William Cannon Drive West Austin, TX 78735-8598	
This document contains information proprietary to NXP and shall not be used for engineering design, procurement or manufacture in whole or in part without the express written permission of NXP Semiconductors.			
Designer: Alejandro Cervantes		ICAP Classification: CP: IUC: X PUBL:	
Drawing Title: DEVKIT-ZVL128			
Drawn by: Alejandro Cervantes		Page Title: I/O HEADERS	
Approved: Jesus Sanchez		Size B	Document Number SCH-29227 PDF: SPF-29227
Date: Monday, March 07, 2016		Sheet 3	of 6
		Rev A	



NXP		Automotive Product Group	
NXP is a registered trademark of NXP B.V.		NXP is a registered trademark of NXP B.V.	
This document contains information proprietary to NXP and shall not be used for any other purpose without the express written permission of NXP Semiconductors.			
Designer: Alfonso Cervantes	Document Title: POWERMCU	Doc Classification: CP	MC: X PLS
Version: 1.0	Page No: 1	DEVKIT-ZVL128	
Approved: Alfonso Cervantes	Doc ID: 66922	Document Number: 66922	Doc Rev: 1.0
Doc Date: 2011-01-11	Doc Title: POWERMCU	Doc Rev: 1.0	Doc Date: 2011-01-11

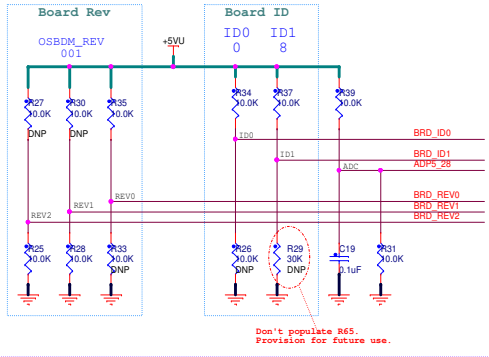


		Automotive Product Group 6501 William Cannon Drive West Austin, TX 78735-8598	
This document contains information proprietary to NXP and shall not be used for engineering design, procurement or manufacture in whole or in part without the express written permission of NXP Semiconductors.			
ICAP Classification:		CP:	IUC: X PUBL:
Designer: Alejandro Cervantes	Drawing Title: DEVKIT-ZVL128		
Drawn by: Alejandro Cervantes	Page Title: PERIPHERALS		
Approved: Jesus Sanchez	Size B	Document Number SCH-29227 PDF: SPF-29227	Rev A
Date:	Monday, March 07, 2016	Sheet	5 of 6

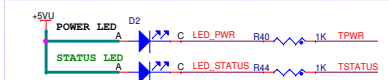
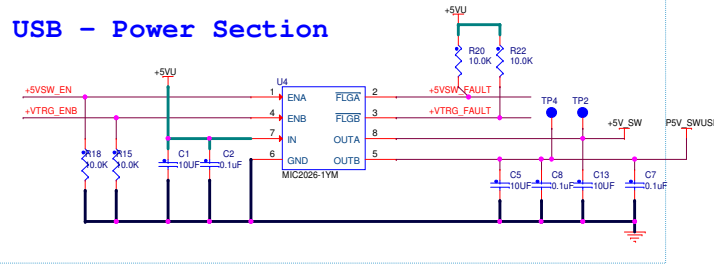
OSBDM Interface

BOARD ID RESISTANCE SELECTION TABLE

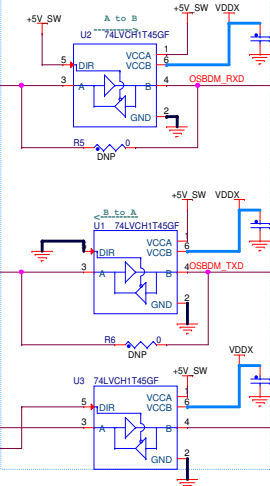
#	Pull-Up	Pull-Down
0	10K	0
1	10K	1.3K
2	10K	3.3K
3	10K	5.6K
4	10K	10K
5	10K	18K
6	10K	30K
7	10K	62K
8	10K	(NC)



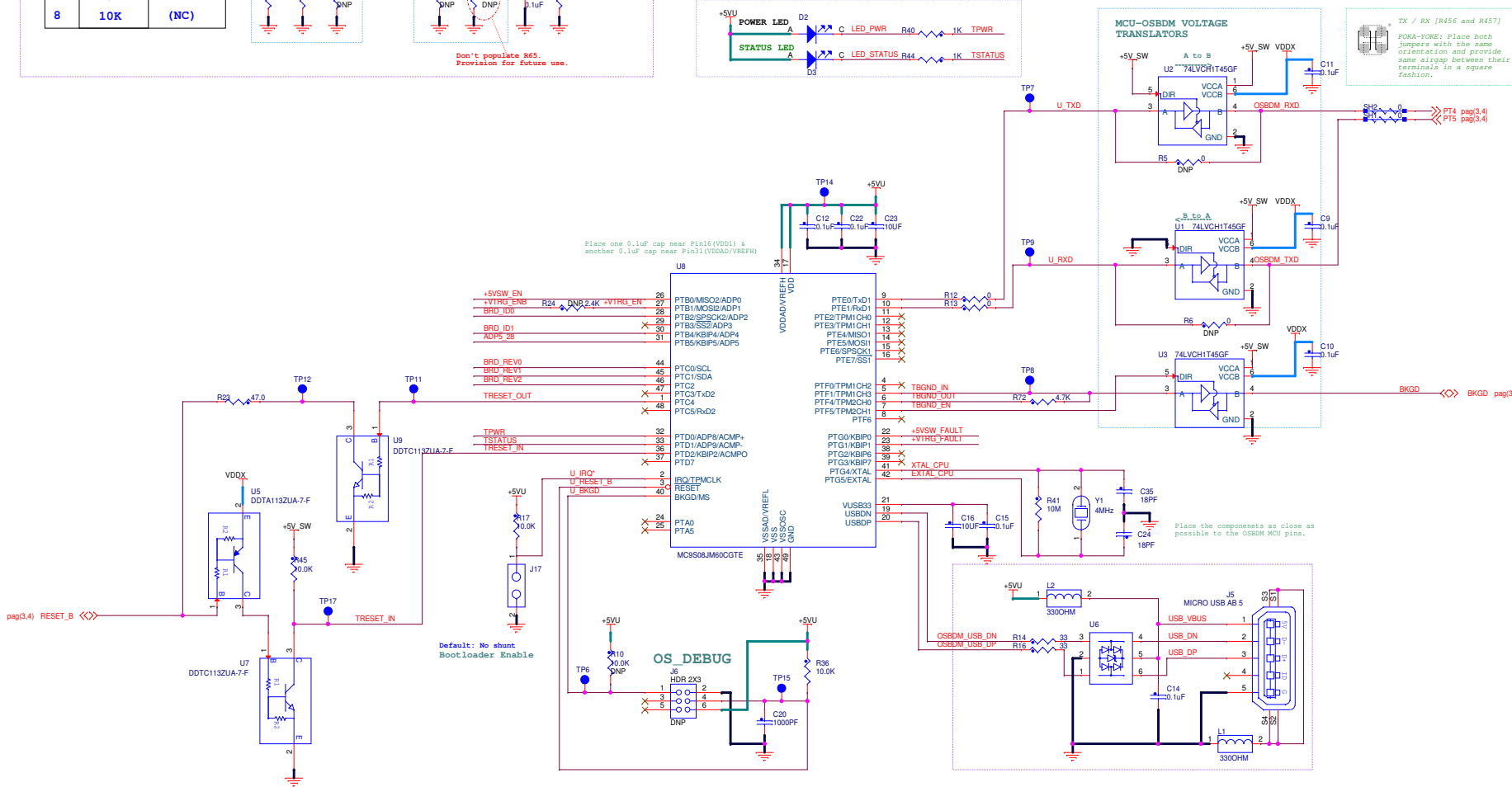
USB - Power Section



MCU-OSBDM VOLTAGE TRANSLATORS



TX / RX (R456 and R457)
FOKA-YOKE: Place both jumpers with the same orientation and provide same airgap between their terminals in a square fashion.



NXP		Automotive Product Group 6501 William Cannon Drive West Austin, TX 78735-8598	
This document contains information proprietary to NXP and shall not be used for engineering design, procurement or manufacture in whole or in part without the express written permission of NXP Semiconductors.			
Designer: Alejandro Cervantes		ICAP Classification: CP IUD: X PUB:	
Drawn by: Alejandro Cervantes		DEVKIT-ZVL128	
Approved: Jesus Sanchez		USB/OSBDM	
Size C	Document Number SCH-29227 PDF: SPF-29227	Rev A	
Date: Monday, March 07, 2016	Sheet 6	of 6	