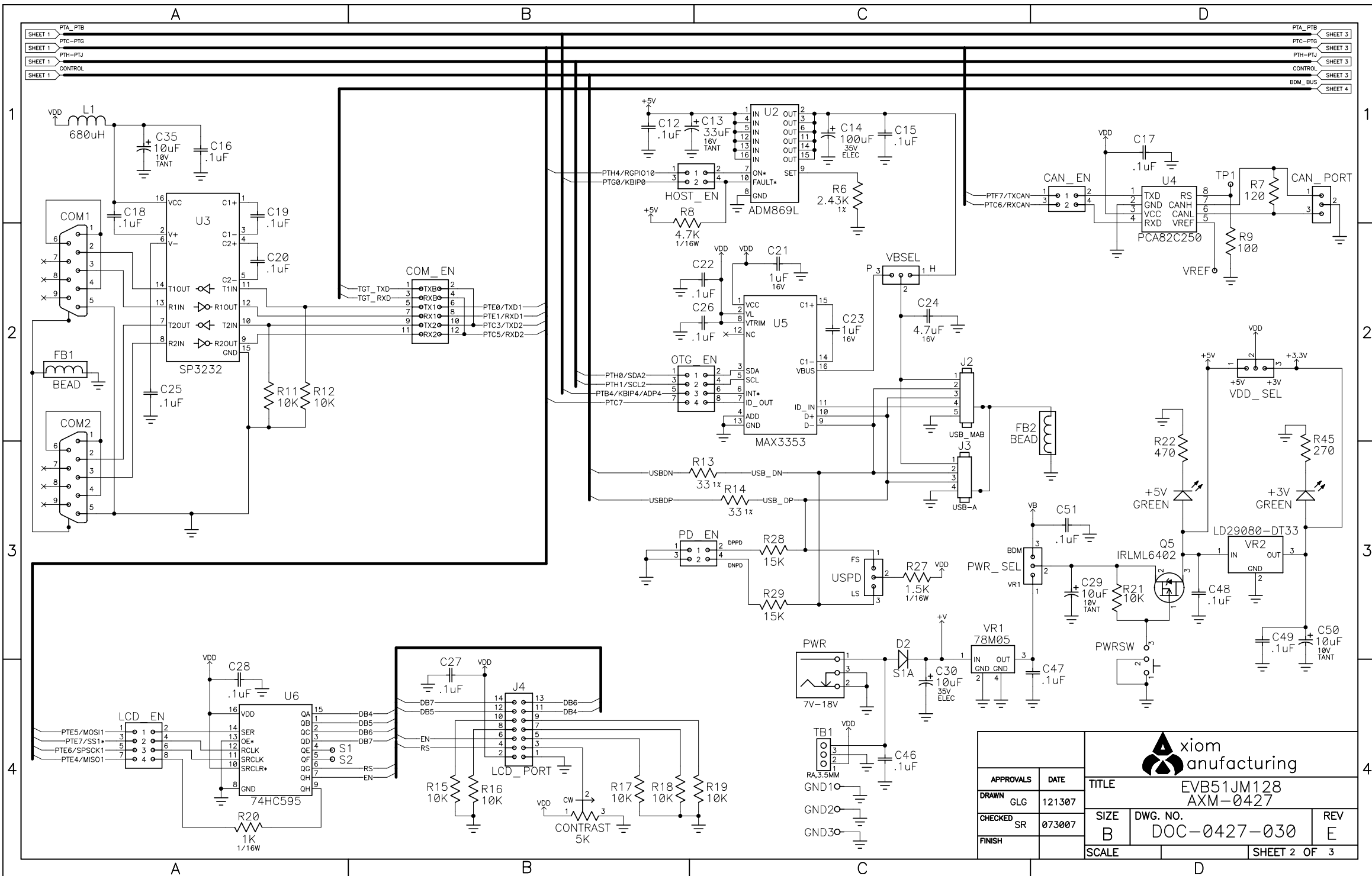


PTA_PTB SHEET 2.3
 PTC_PTG SHEET 2.3
 PTH_PTI SHEET 2.3
 CONTROL SHEET 2.3

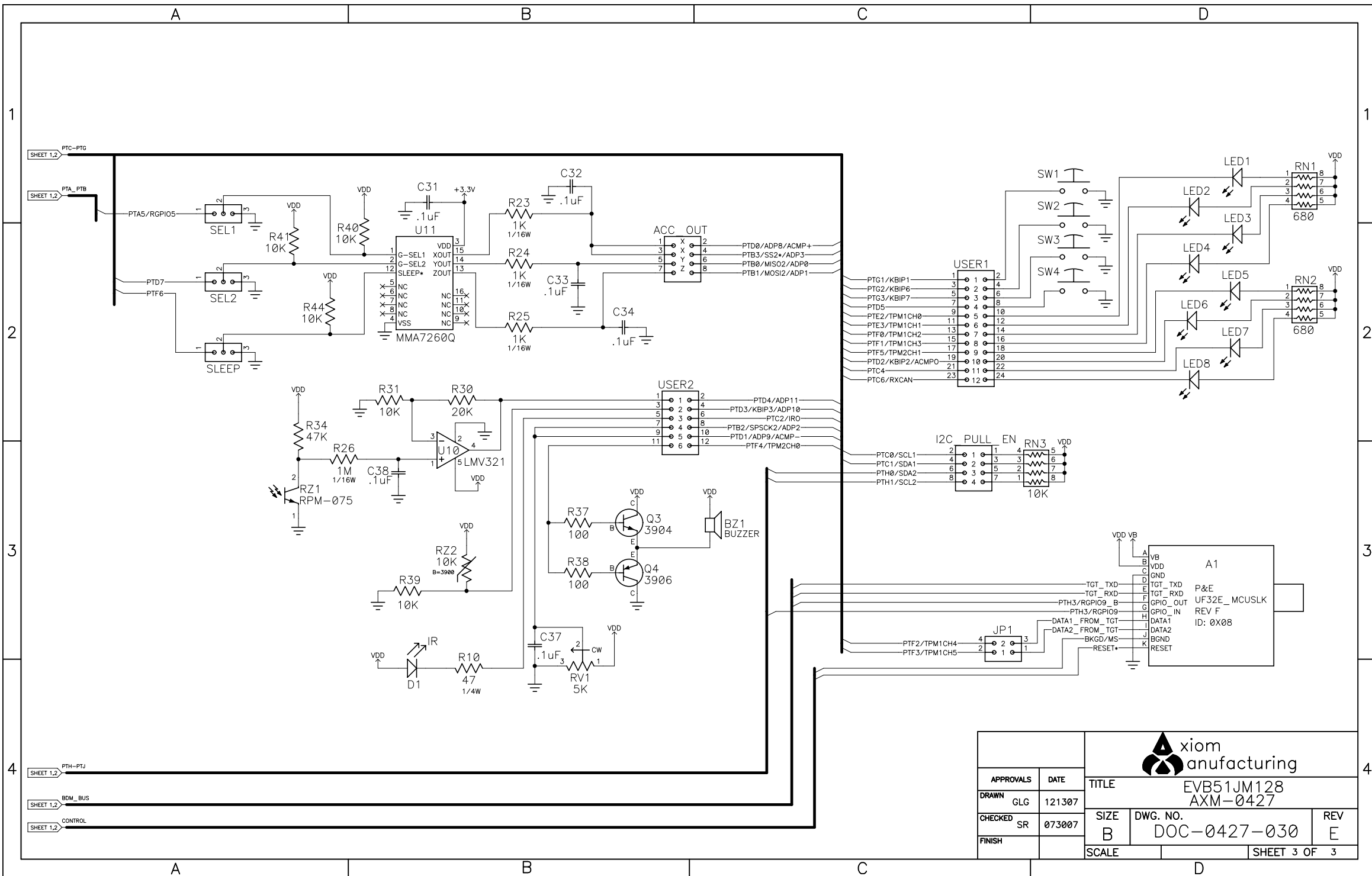
BDM_BUS SHEET 4

APPROVALS		DATE	TITLE		
DRAWN	GLG	121307	EVB51JM128 AXM-0427		
CHECKED	SR	073007	SIZE	DWG. NO.	REV
FINISH			B	DOC-0427-030	E
SCALE			SHEET 1 OF 3		



APPROVALS		DATE	TITLE	
DRAWN		GLG	EVB51JM128 AXM-0427	
CHECKED		SR	SIZE	REV
FINISH			B	E
			DWG. NO.	
			DOC-0427-030	
			SCALE	SHEET 2 OF 3





APPROVALS		DATE	TITLE	
DRAWN	GLG	121307	EVB51JM128 AXM-0427	
CHECKED	SR	073007	SIZE	DWG. NO.
FINISH			B	DOC-0427-030
			SCALE	REV
				E
			SHEET 3 OF 3	



P&E
UF32E_Mcuslk
REV F
ID: 0X08