
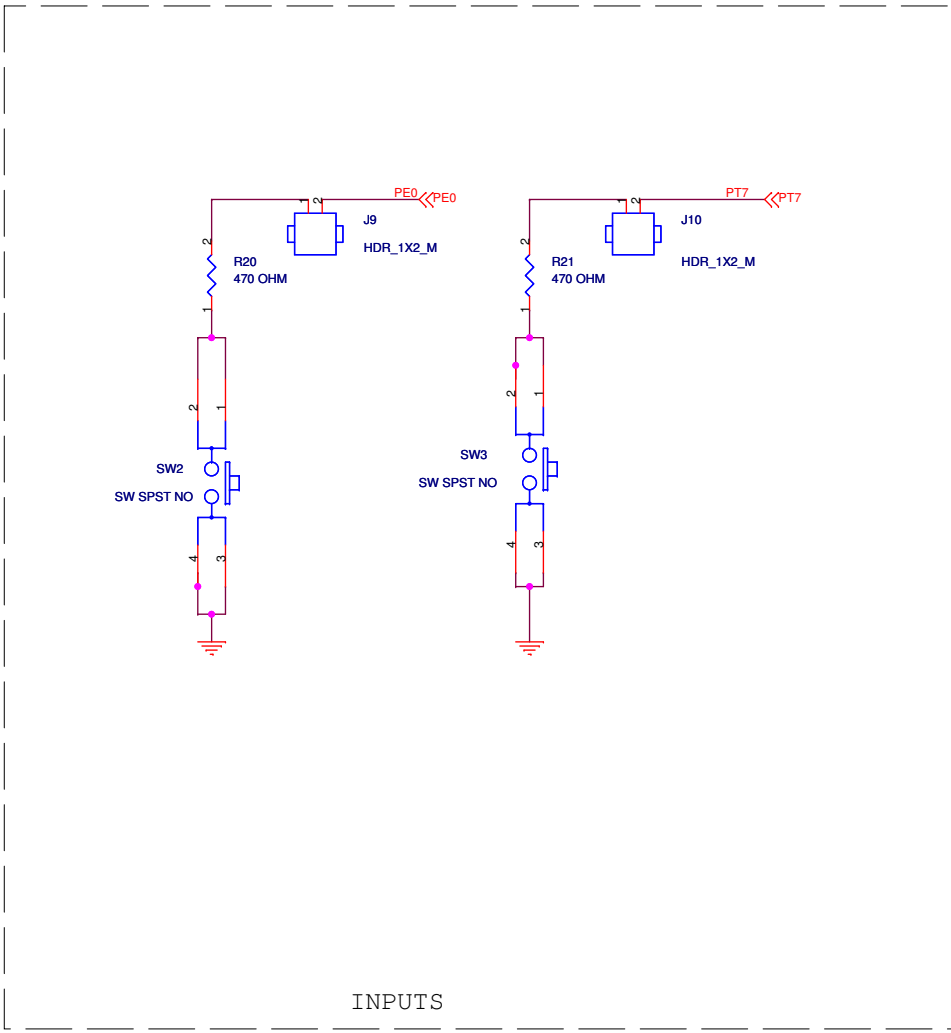


<b>Contents</b>	
5	Microcontroller
6	Signal Pins
7	Power Supply

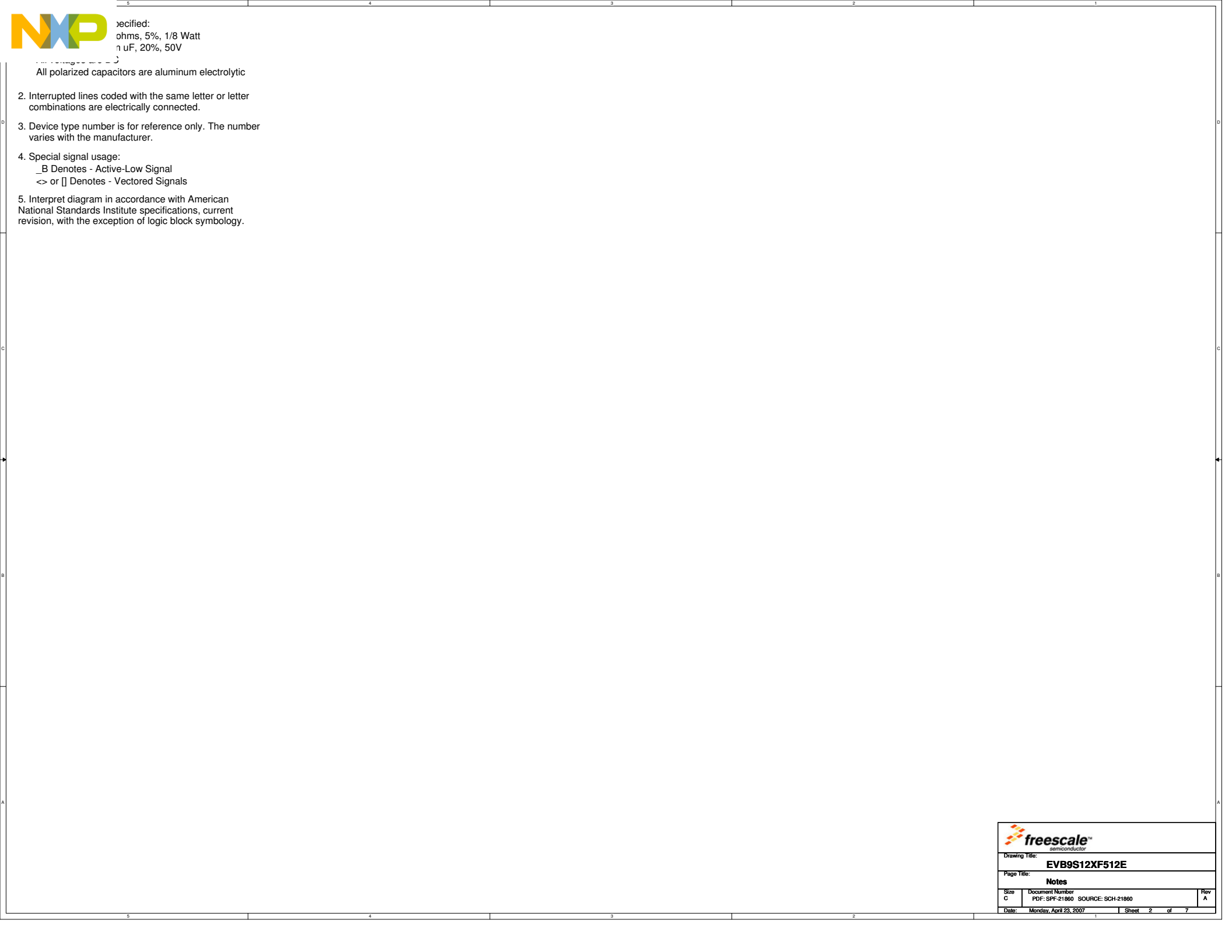
Revisions			
Rev	Description	Date	Approved
X1	Original Release	04-17-07	T.M.

		<b>RTAC Americas</b> Periferico Sur 7999 Guadalupe, Jal. Mex. +52 (33) 3283-0668 <small>semicondutor</small>	
<small>This document contains information proprietary to Freescale Semiconductor and shall not be used for engineering design, procurement or manufacture in whole or in part without the express written permission of Freescale Semiconductor.</small>			
Designer: TANIA MARTINEZ	Drawing Title: <b>EVB9S12XF512E</b>		
Drawn by: TANIA MARTINEZ	Page Title: <b>Title Page</b>		
Approved: <Approver>	Size C	Document Number SCH-21860 PDF: SPF-21860	Rev A
Date: Monday, April 23, 2007		Sheet 1 of 7	



INPUTS

Drawing Title:		
<b>EVB9S12XF512E</b>		
Page Title:		
<b>Push Buttons</b>		
Size	Document Number	Rev
B	SCH-21860 PDF: SPF-21860	A
Date:	Monday, April 23, 2007	Sheet 2 of 5

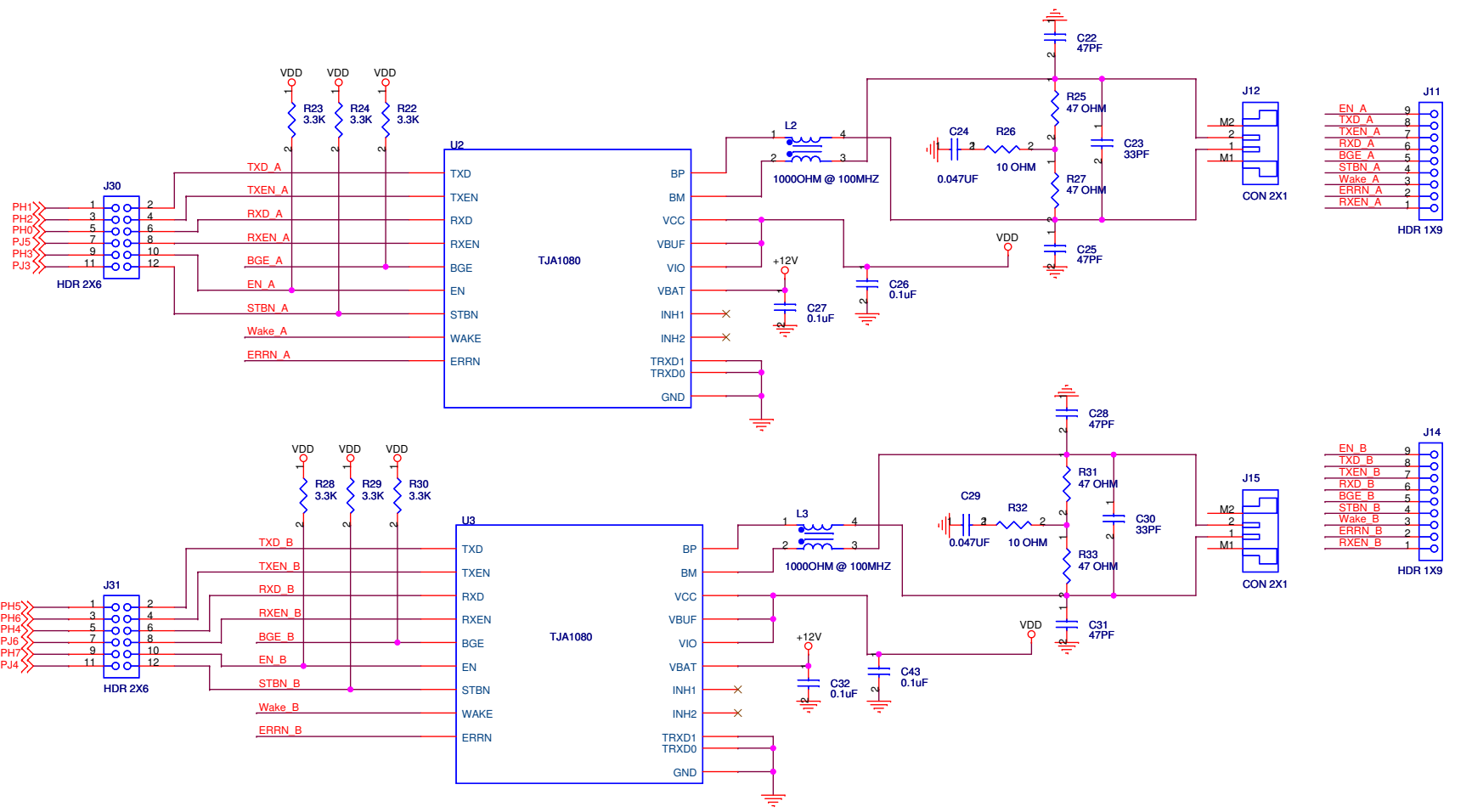


pecified:  
 ohms, 5%, 1/8 Watt  
 n uF, 20%, 50V

All polarized capacitors are aluminum electrolytic

2. Interrupted lines coded with the same letter or letter combinations are electrically connected.
3. Device type number is for reference only. The number varies with the manufacturer.
4. Special signal usage:  
 \_B Denotes - Active-Low Signal  
 <> or [] Denotes - Vectored Signals
5. Interpret diagram in accordance with American National Standards Institute specifications, current revision, with the exception of logic block symbology.

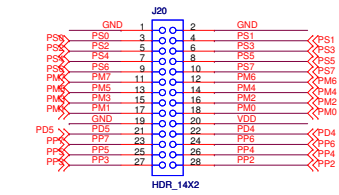
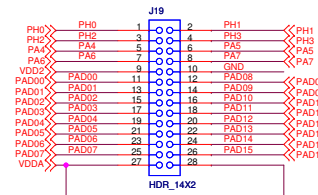
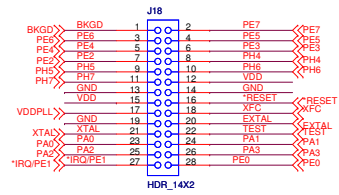
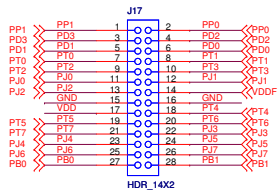
Drawing Title:		
<b>EVB9S12XF512E</b>		
Page Title:		
<b>Notes</b>		
Size	Document Number	Rev
C	PDF: SPF-21860 SOURCE: SCH-21860	A
Date:	Monday, April 23, 2007	Sheet 2 of 7



Drawing Title: <b>EVB9S12XF512E</b>	
Page Title: <b>FlexRay Transceivers</b>	
Size B	Document Number SCH-21860 PDF: SPF-21860
Date: Monday, April 23, 2007	Rev A

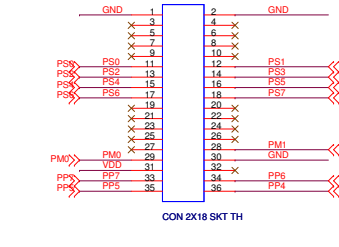
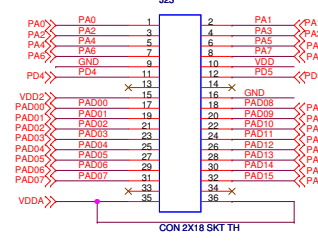
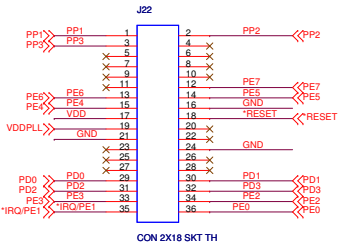
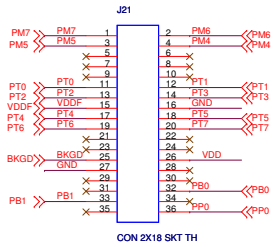


one to one (pins) from S12XF

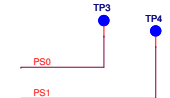
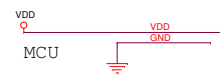


Primary Mounted

one to name (sockets) from motherboard



Secondary Mounted

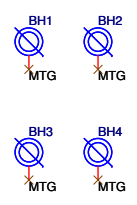
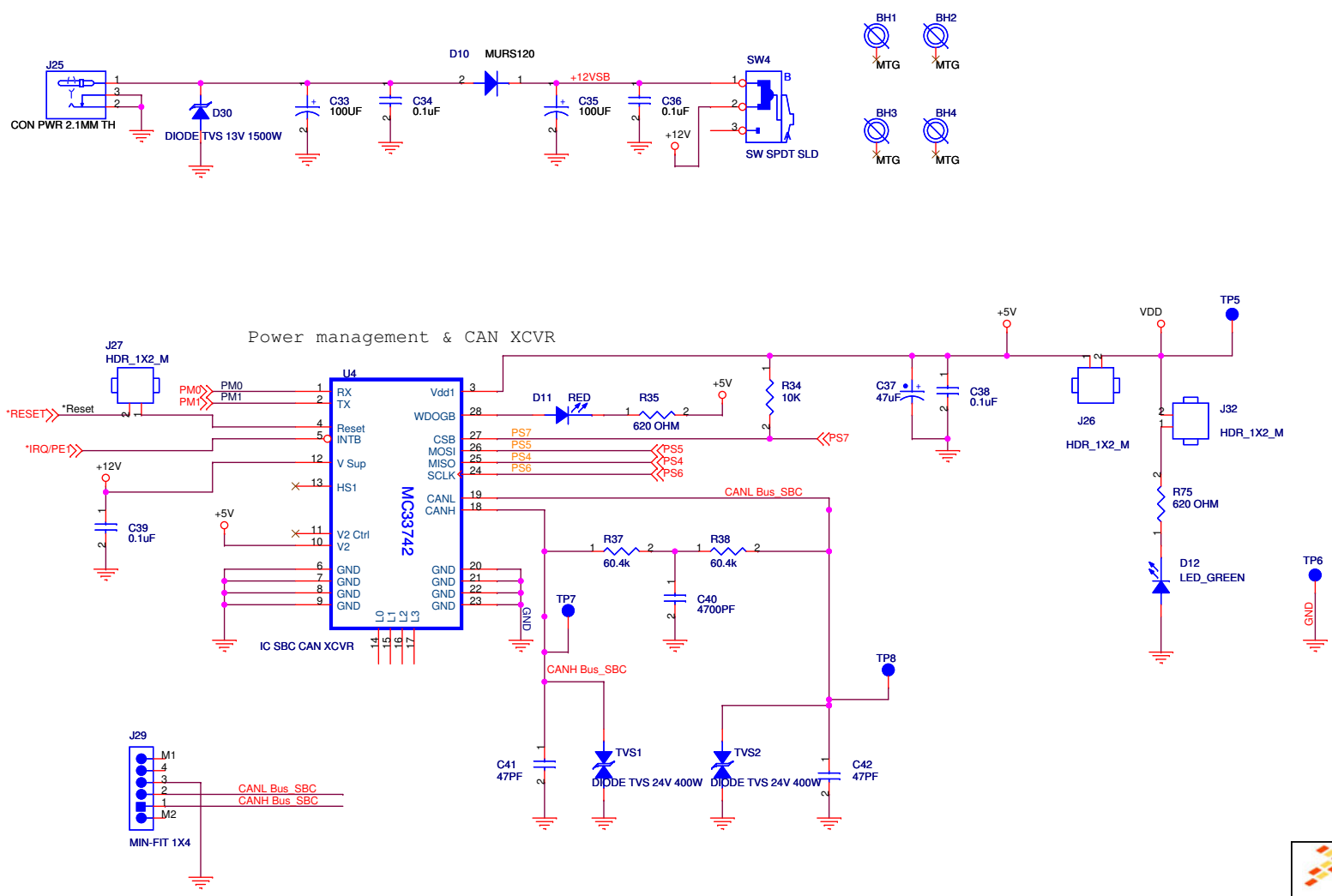


**freescale**  
semiconductor

Drawing Title: **EVB9S12XF512E**

Page Title: **Signal Pins**

Size C	Document Number SCH-21860 PDF: SPF-21860	Rev A
Date: Monday, April 23, 2007	Sheet 4 of 5	



Drawing Title: <b>EVB9S12XF512E</b>		
Page Title: <b>Power Supply</b>		
Size B	Document Number	Rev A
	SCH-21860 PDF: SPF-21860	
Date: Monday, April 23, 2007	Sheet 5 of 5	