


**Table of Contents**

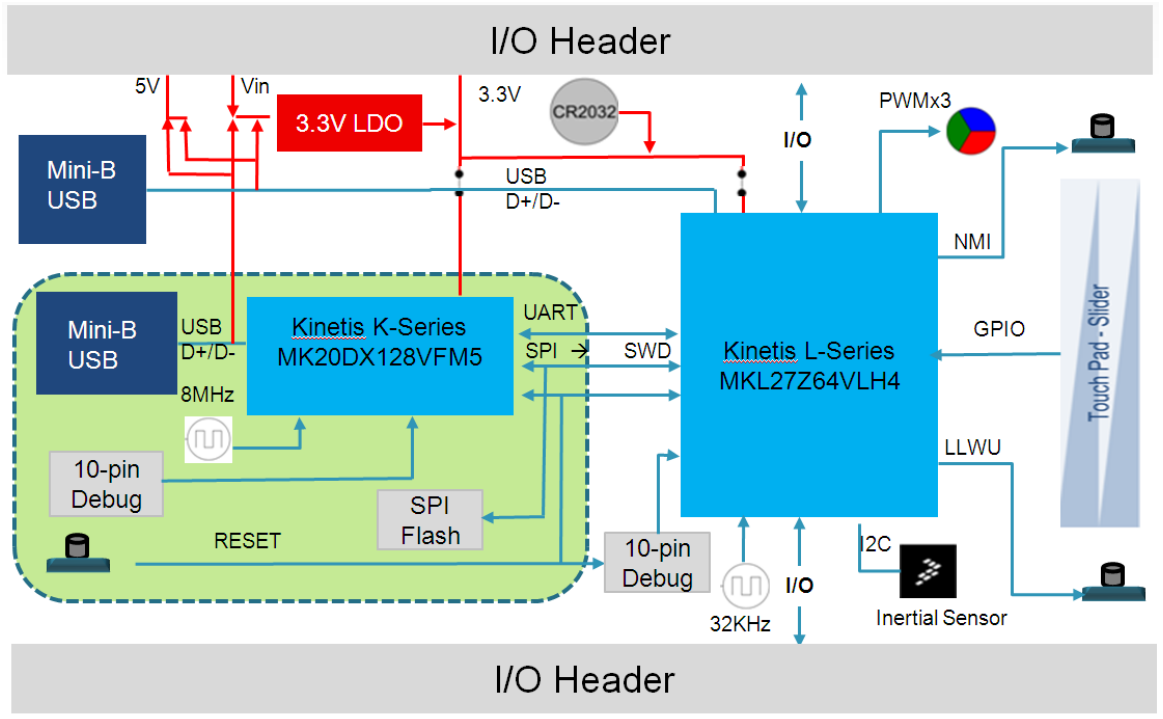
1	Title
2	Block Diagram
3	KL27Z MCU
4	OpenSDA INTERFACE
5	I/O Headers and Power Supply

**Revisions**

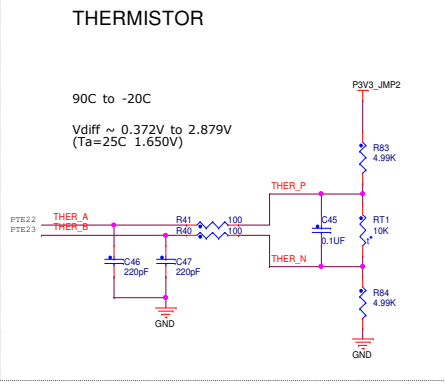
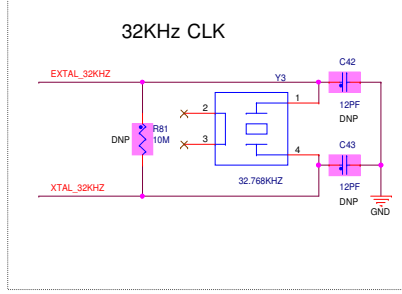
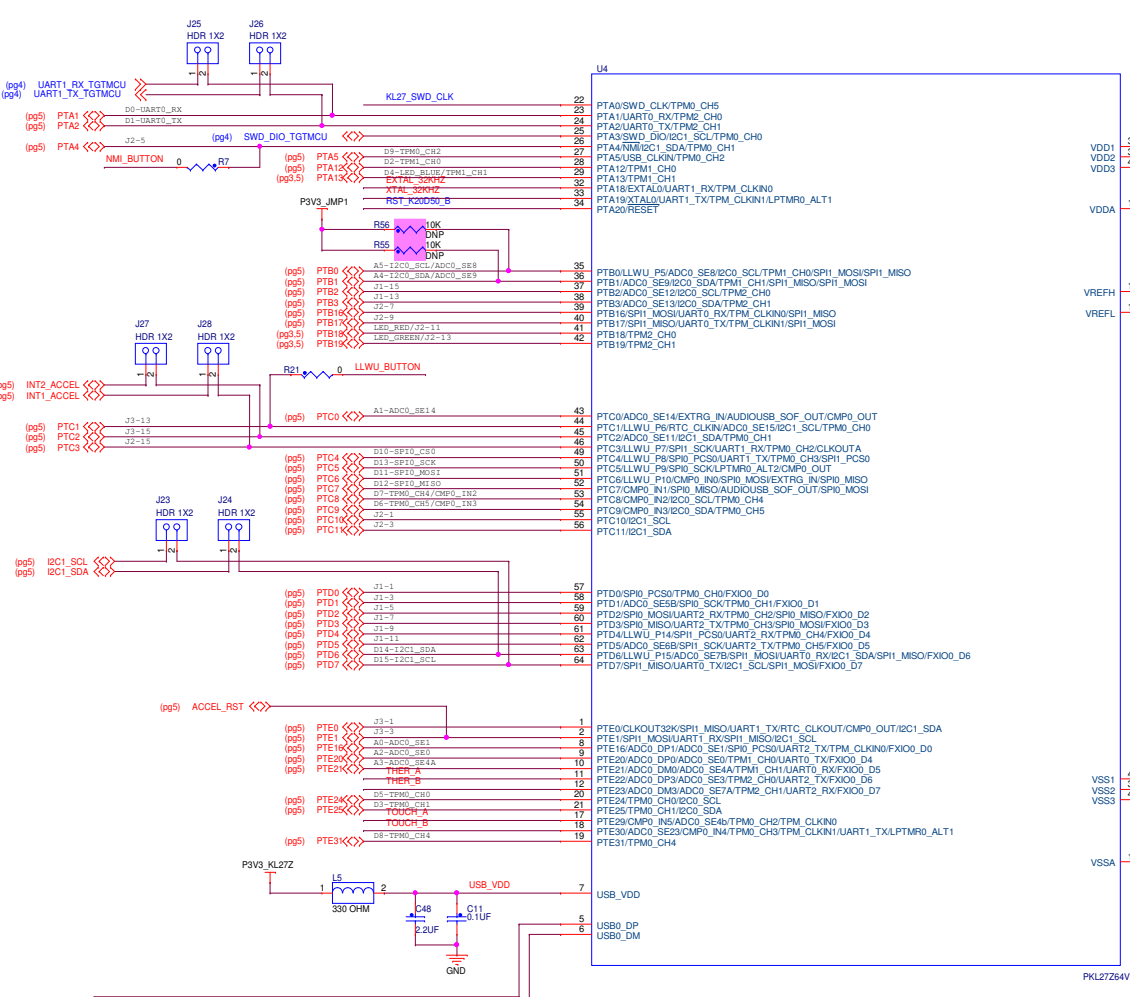
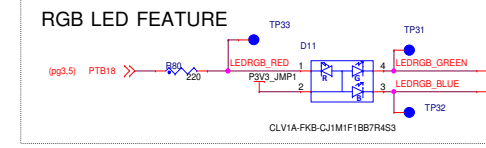
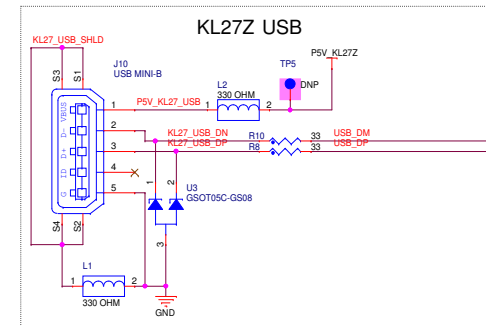
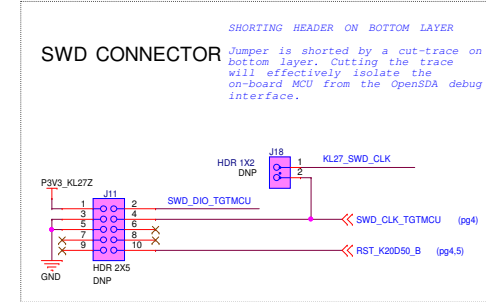
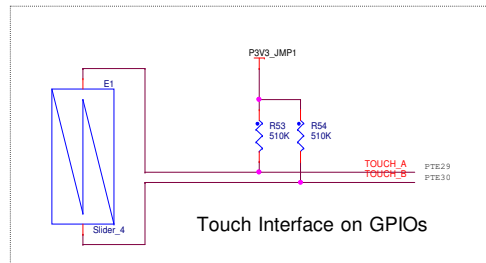
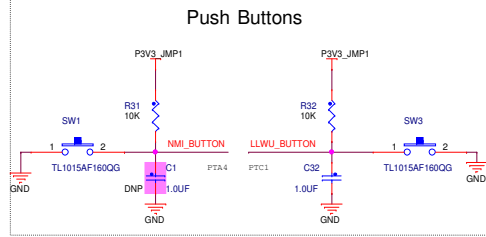
Rev	Description	Date	Approved
X1	Initial draft	July 07, 2014	
A	Release	July 25, 2014	
A1	DNP J1, J2, J3, J4, J5, J9, J11, J14, J17, BT1, TP4 and TP5 Populate R1, R2, R4, R76 for production version	Sep 3, 2014	
A2	Change all 2-Pin Jumpers to 2mm pitch Add one Jumper between R31, R32, R53, R54, R55, R56, RGB LED Power and P3V3 for power disconnection in low power test Add one Jumper between R19, R83 and P3V3 for power disconnection in low power test  Change R11, R12 to Jumper J23, J24 Change R47, R48 to Jumper J25, J26 Change R22, R23 to Jumper J27, J28 Remove DNP SPI Flash U6	Dec 8, 2014	
B	Remove R76 Populate J5, J6 and J7 Remove cut-short of J6 and J7	Dec 15, 2014	

# FRDM-KL27Z

		<b>Automotive, Industrial &amp; Multi-market Solutions Group</b> 6501 William Cannon Drive West Austin, TX 78735-8598	
<small>This document contains information proprietary to Freescale and shall not be used for engineering design, procurement or manufacture in whole or in part without the express written permission of Freescale.</small>			
ICAP: _____ Classification: FQP: _____ FIUO: _____ PUB: X			
Designer: _____	Drawing Title: <b>FRDM-KL27Z</b>		
Drawn by: _____	Page Title: <b>TITLE PAGE</b>		
Approved: _____	Size: C	Document Number: SCH-28303 PDF: SPF-28303	Rev: B
Date: Monday, December 15, 2014		Sheet 1 of 5	

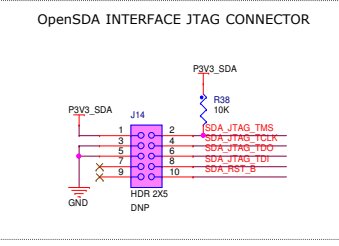
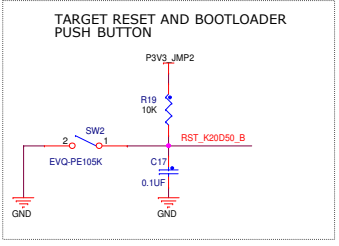
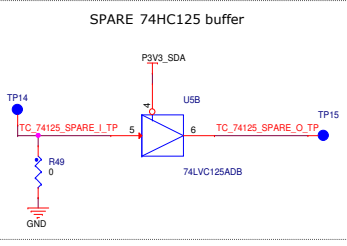
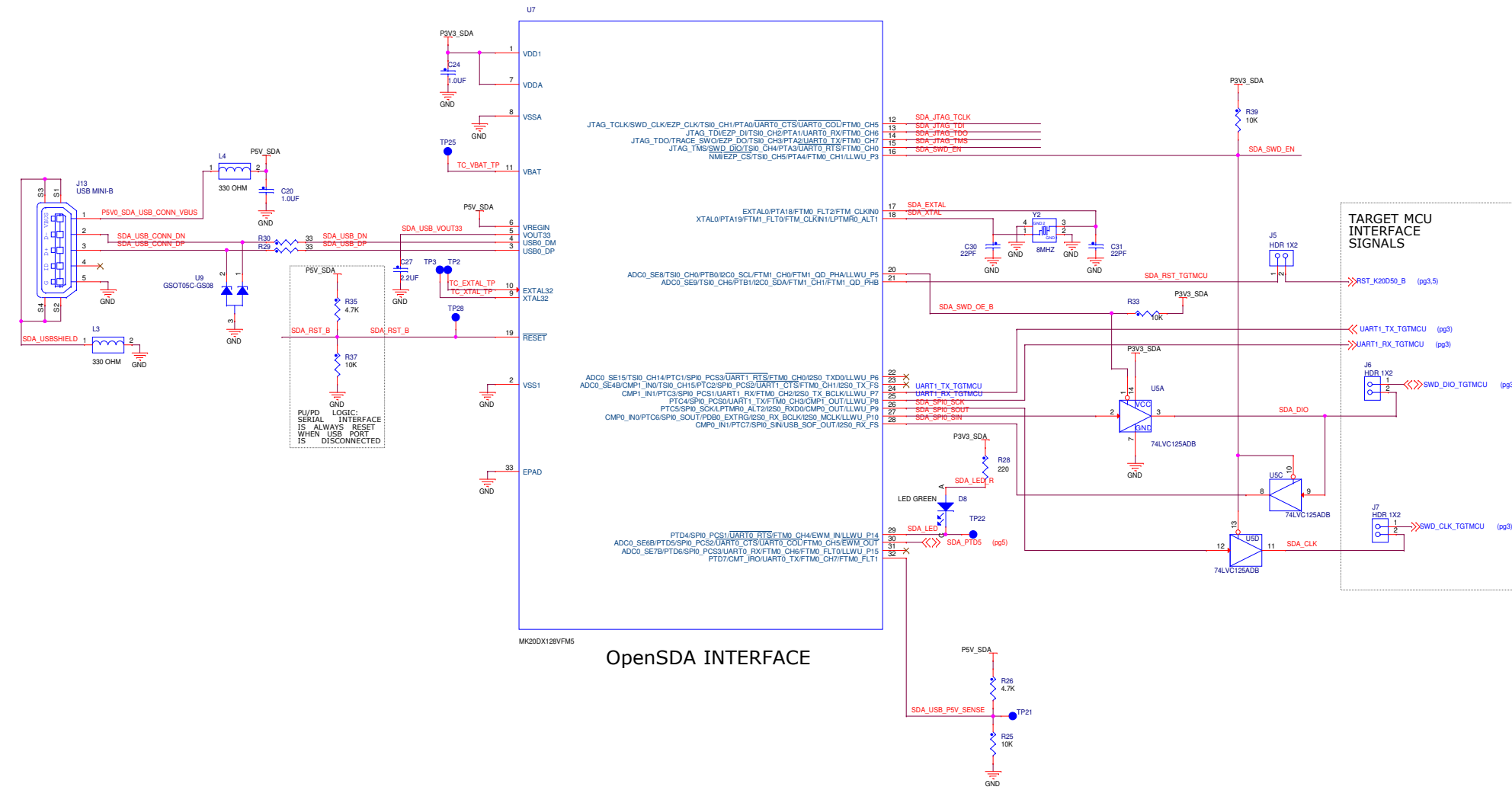


Indicates optional items that will not be populated by default



ICAP Classification: FCP- FIUO- PUBI: X  
Drawing File: **FRDM-KL27Z**  
Page Title: **KL27Z MCU**

Size C	Document Number SCH-28303 PDF: SPF-28303	Rev B
Date: Monday, December 15, 2014	Sheet 3 of 5	



ICAP Classification: FCP: FIUO: PUBI: X	
Drawing File: <b>FRDM-KL27Z</b>	
Page Title: <b>OpenSDA interface</b>	
Size C	Document Number SCH-28303 PDF: SPF-28303
Date: Monday, December 15, 2014	Sheet 4 of 5

# ARDUINO HEADERS

