
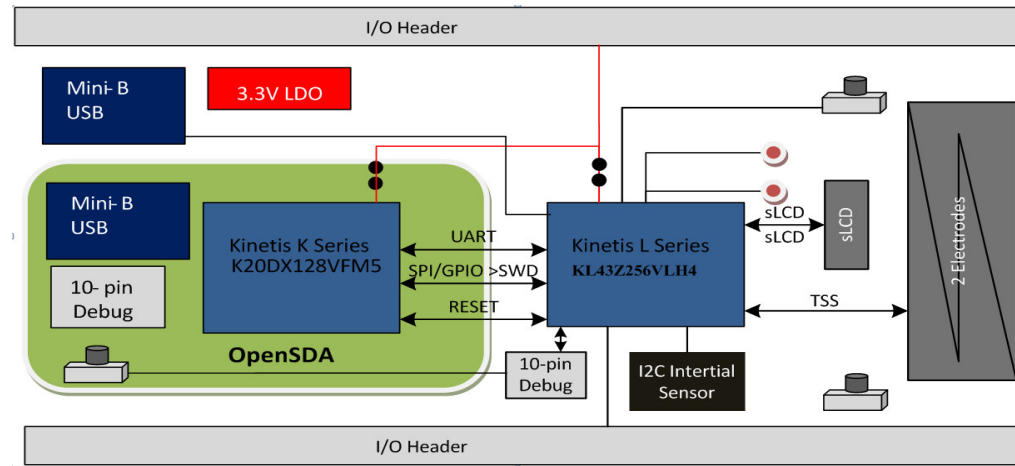


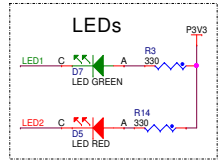
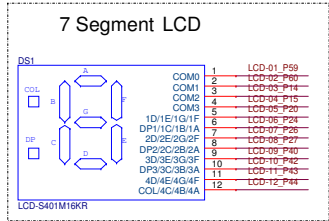
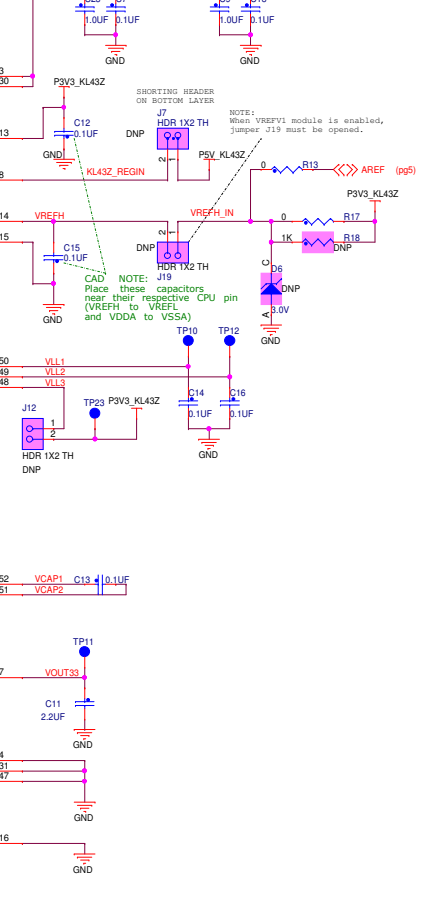
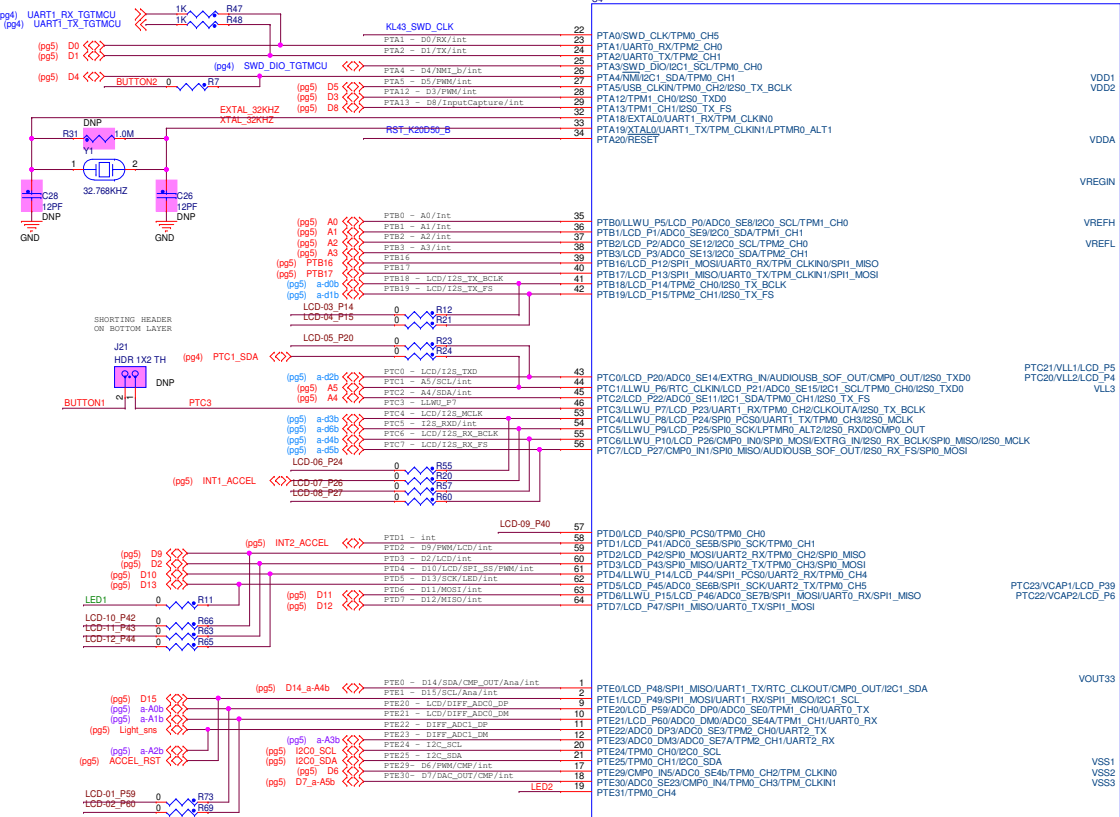
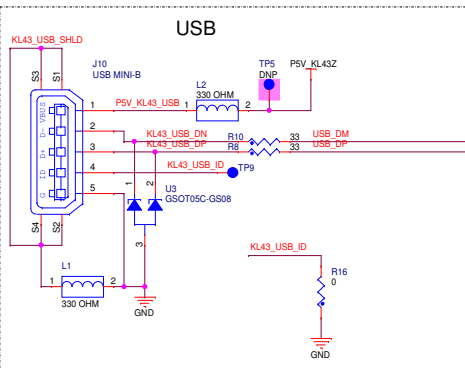
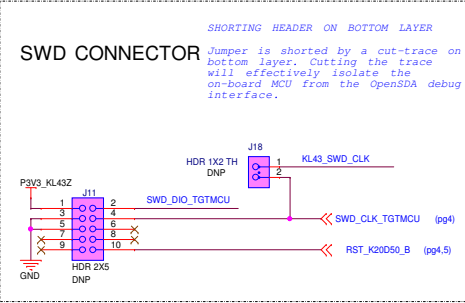
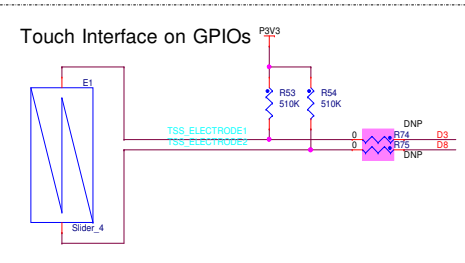
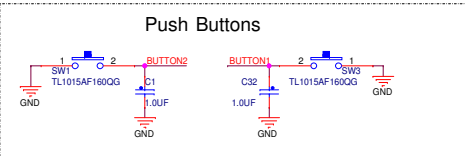
<b>Contents</b>	
	m
	RFACE
5	I/O Headers and Power Supply

<b>Revisions</b>			
Rev	Description	Date	Approved
X1	Initial draft	Jan. 16	
A	Add Jumper J19 on signal VREFH	Feb. 17	
B	Change Touch Interface from port PTB16, PTB17 to PTA12, PTA13  Move J18 Jumper from net KL43_SW_D_CLK to net SWD_CLK_TGTMCU  Add Jumper J20 on KL43 VDD pins for current measurement  DNP C32	Apr. 15	
C	1. Update Block Diagram 2. Add Jumper J21 on net BUTTON1, and populate C32 3. Move J18 Jumper from net SWD_CLK_TGTMCU to KL43_SW_D_CLK 4. Add R76 for signal isolation when doing power consumption test for KL43Z 5. DNP J1, J2, J3, J4, J7, J11, J12, J14, J19, BT1, TP4, TPS for production build 6. Change J7 to Jumper with shorting trace on the bottom layer	May 15, 2014	

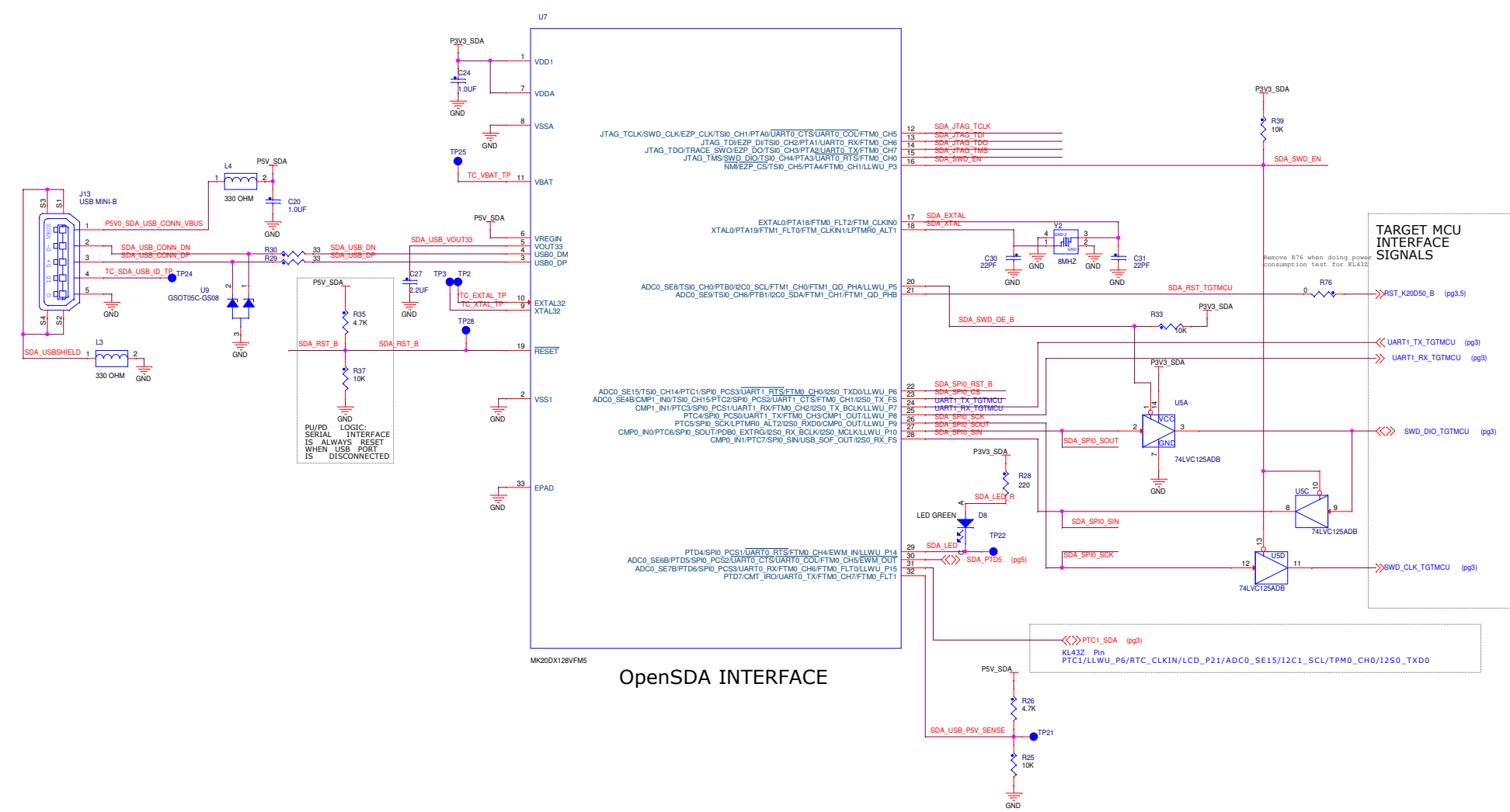
# FRDM-KL43Z

		<b>Automotive, Industrial &amp; Multi-market Solutions Group</b> 6501 William Cannon Drive West Austin, TX 78735-8598	
<small>This document contains information proprietary to Freescale and shall not be used for engineering design, procurement or manufacture in whole or in part without the express written permission of Freescale.</small>			
ICAP Classification: FQP:		FIUO: PUB: X	
Designer:	Drawing Title: <b>FRDM-KL43Z</b>		
Drawn by:	Page Title: <b>TITLE PAGE</b>		
Approved:	Size C	Document Number SCH-28062 PDF: SPP-28062	Rev C
Date: Thursday, May 15, 2014		Sheet 1 of 5	

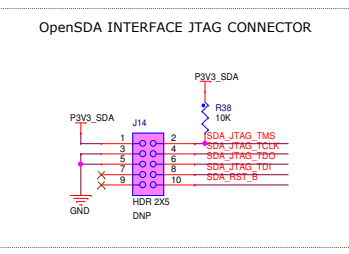
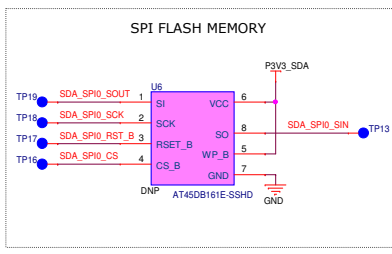
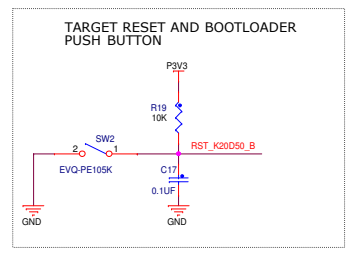
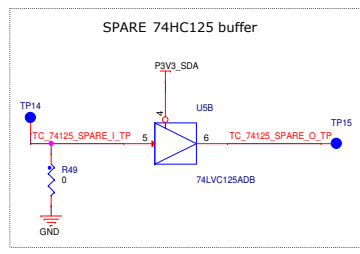




ICAP Classification: FCP- FIUO- PUBI- X  
 Drawing File: **FRDM-KL43Z**  
 Page Title: **KL43Z MCU**  
 Size C Document Number SCH-28062 PDF: SPF-28062 Rev C  
 Date: Thursday, May 15, 2014 Sheet 3 of 5



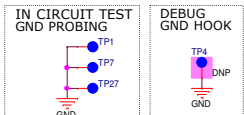
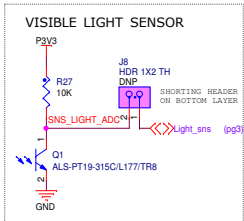
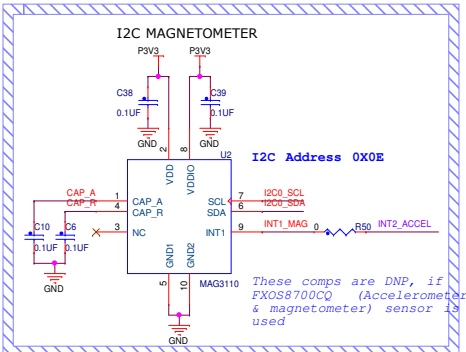
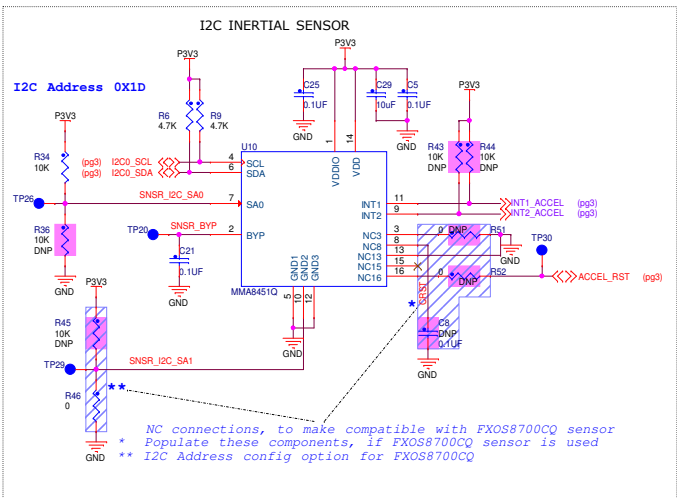
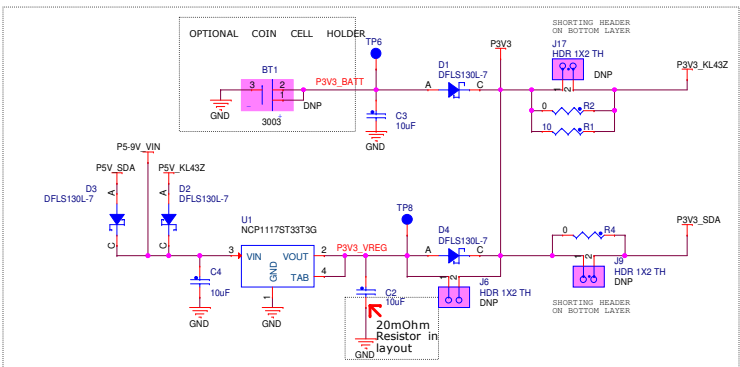
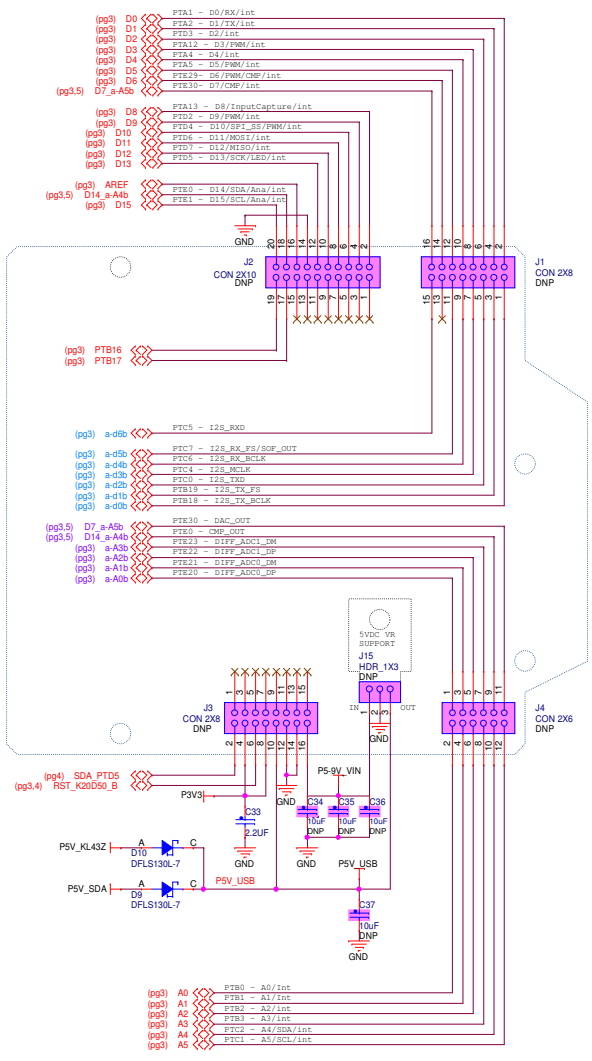
### OpenSDA INTERFACE



ICAP Classification: FCP: FIUO: PUBI: X	
Drawing File: <b>FRDM-KL43Z</b>	
Page Title: <b>OpenSDA interface</b>	
Size C	Document Number SCH-28062 PDF: SPF-28062
Date: Thursday, May 15, 2014	Sheet 4 of 5



# ARDUINO HEADERS



ICAP Classification: FCP:		FIUO:		PUBI: X	
Drawing File: <b>FRDM-KL43Z</b>					
Page Title: <b>I/O Headers and Power Supply</b>					
Size C	Document Number	SCH-28062 PDF: SPF-28062		Rev	C
Date: Thursday, May 15, 2014					
Sheet 5 of 5					