


Table of Contents	
1	TITLE, TOC & REV
2	NOTES
3	FS6500
4	INTERFACE

Revisions			
Rev	Description	Date	Approved
A	Original Release	19-JULY-16	Didier Pagnoux
B	Bom Update	04-OCT-16	Didier Pagnoux

# XFRDMFS6523CAEVB

		<b>Analog Sensor Product Group</b> 6501 William Cannon Drive West Austin, TX 78735-6598	
<small>This document contains information proprietary to NXP and shall not be used for engineering design, procurement or manufacture in whole or in part without the express written permission of NXP Semiconductors.</small>			
Designer: Didier Pagnoux	Drawing Title: <b>XFRDMFS6523CAEVB</b>	ICAP Classification: CP:	IUD: X PUBL:
Drawn by: Didier Pagnoux	Page Title: <b>TITLE, TOC &amp; REV</b>		
Approved: Didier Pagnoux	Size C	Document Number SCH-29384 PDF: SPF-29384	Rev B
Date: Thursday, October 06, 2016		Sheet 1 of 4	

Configuration :

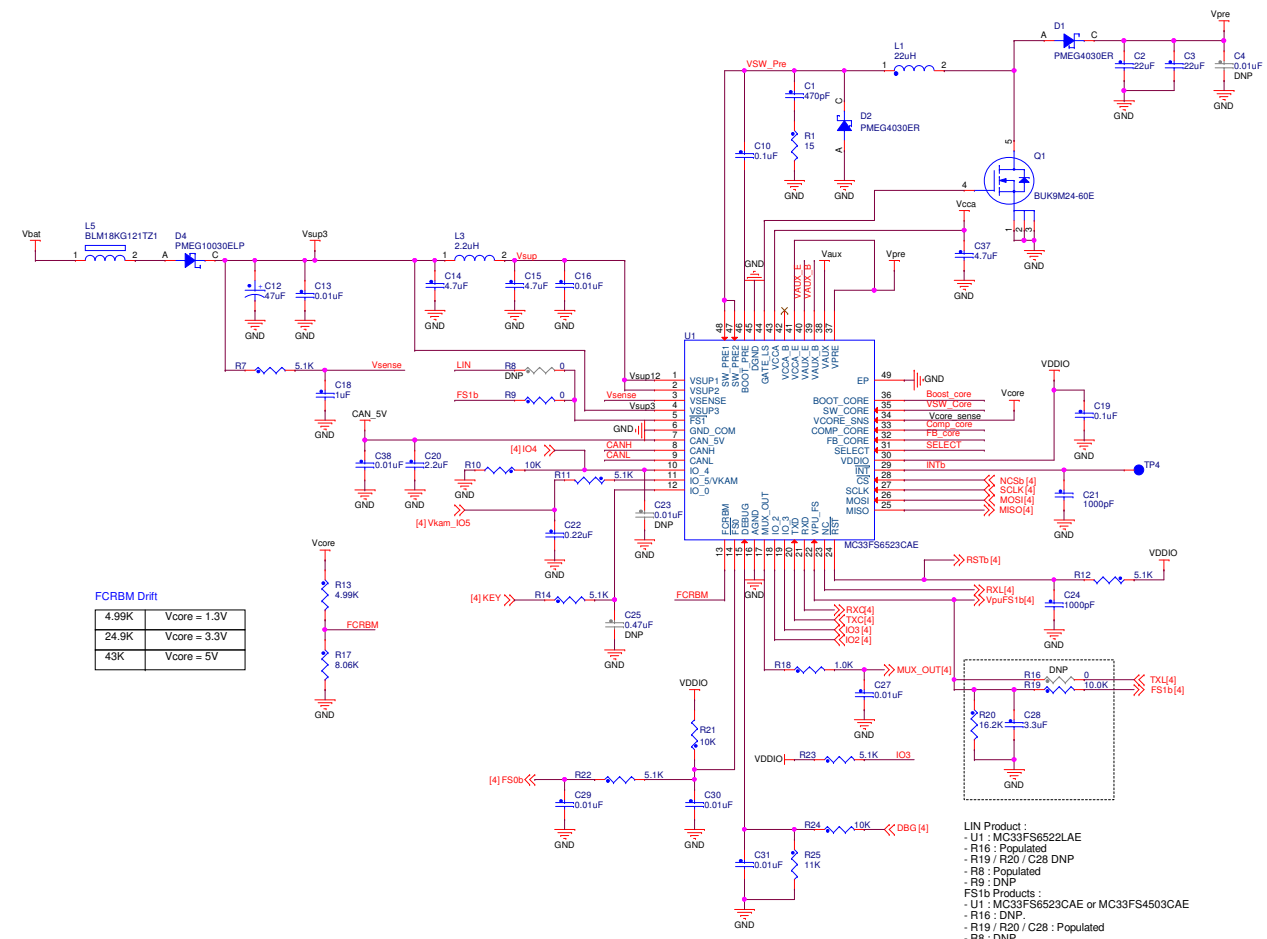
- DFS Enabled
- VDDIO connected to Vcca by default (MCU as an option)
- FS1b option by default
- FS0b on VDDIO
- Vcore regulator set to 1.3V
- Vcca regulator set to 3.3V
- Vcca regulator using Internal PMOS (VCCA\_E connected to Vpre)
- Vaux regulator set to 5V
- Vpre regulator configured in Buck or Boost mode

Note: PCB Layout is common to several MC33FSxxxx (U1) part numbers.

For this reason, the schematic gives some variant depending on the MC33FSxxxx installed on the board.

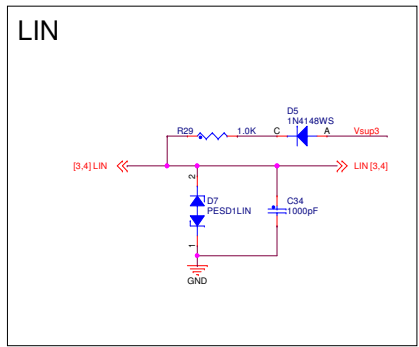
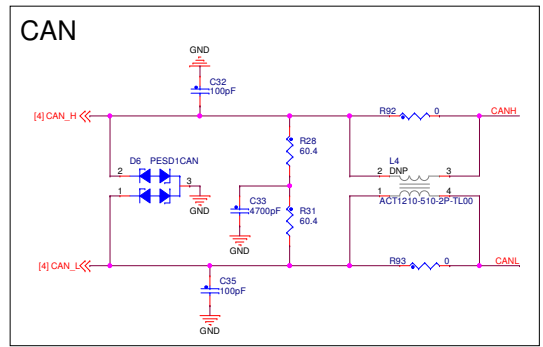
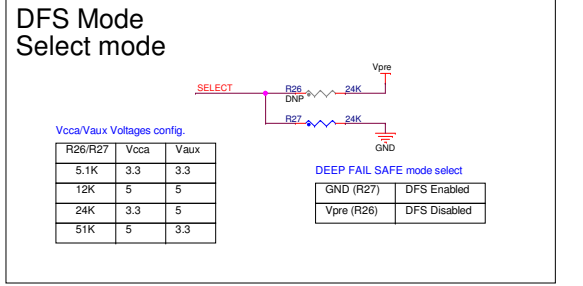
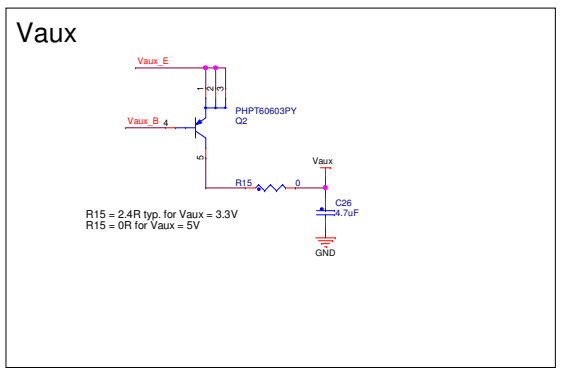
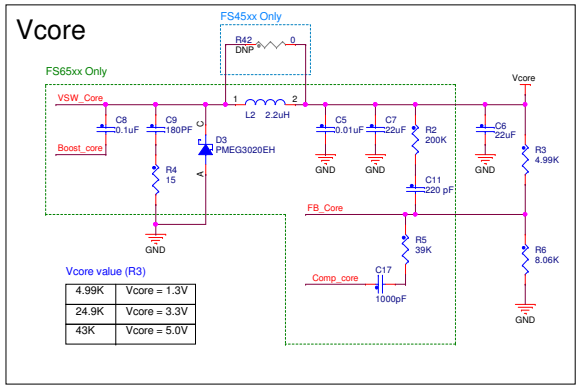


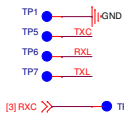
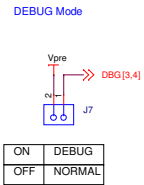
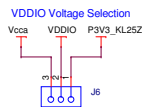
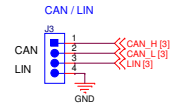
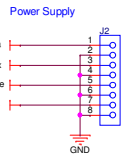
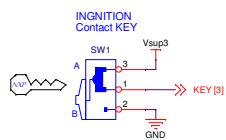
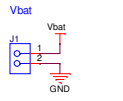
ICAP Classification: CP: IUC: X PUBI:		
Drawing Title: <b>XFRDMFS6523CAEVB</b>		
Page Title: <b>NOTES</b>		
Size C	Document Number SCH-29384 PDF: SPF-29384	Rev B
Date: Thursday, October 05, 2016	Sheet 2	of 4



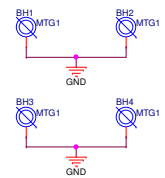
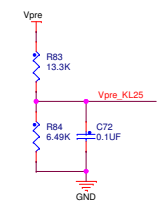
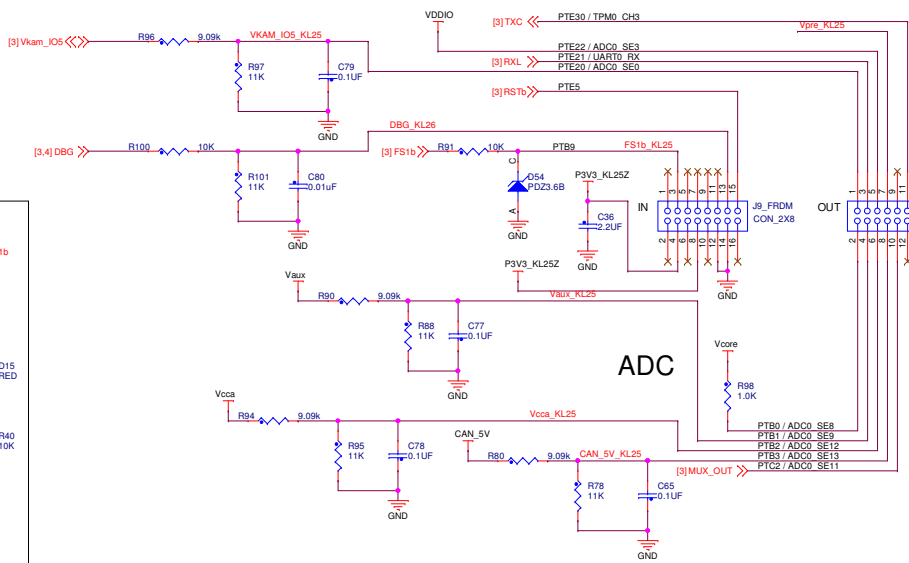
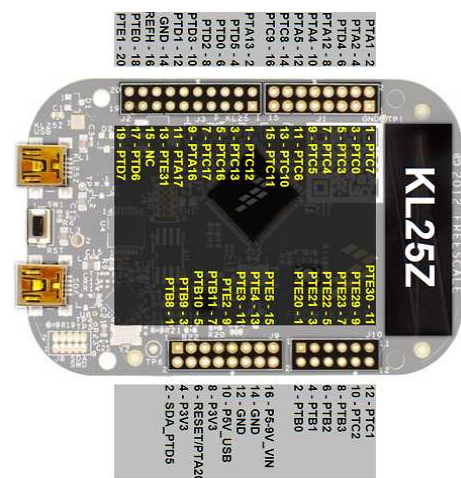
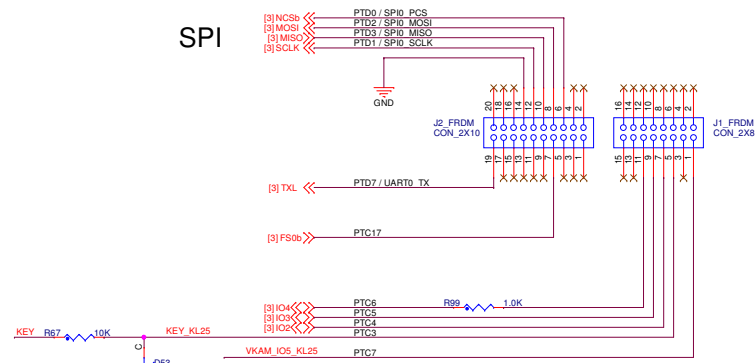
FCRBM Drift

4.99K	Vcore = 1.3V
24.9K	Vcore = 3.3V
43K	Vcore = 5V

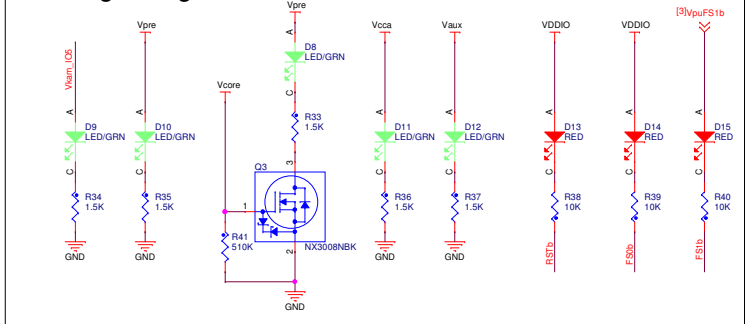





### SPI



### LED Signalling





ICAP Classification: CP		IUC: X	PUBI:
Drawing Title: <b>XFRDMFS6523CAEVB</b>			
Page Title: <b>INTERFACE</b>			
Size C	Document Number	SCH-29384 PDF: SPF-29384	Rev B
Date: Thursday, October 06, 2016		Sheet 4 of 4	