


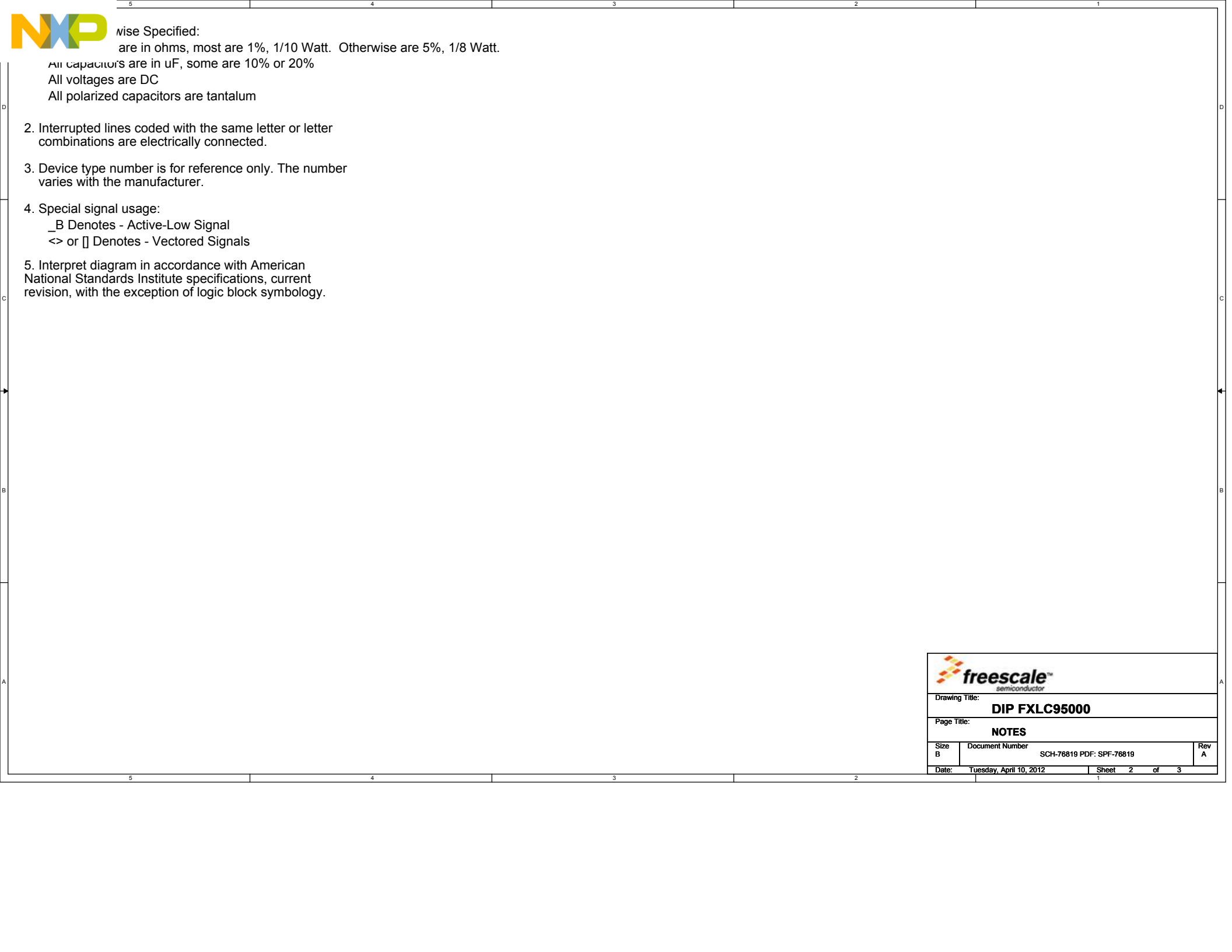


5	4	3	2	1
<b>Table of Contents</b>				
00EVB BOARD Schematic				

Revisions		
Rev	Description	Date
A	Original Release	



		<b>RASG - Inertial</b> 2100 E. Elliot Rd Tempe, AZ 85284	
This document contains information proprietary to Freescale Semiconductor and shall not be used for engineering design, procurement or manufacture in whole or in part without the express written permission of Freescale Semiconductor.			
Designer: J.Scott		Drawing Title: <b>DIP FXLC95000</b>	
Drawn by: W.Agyepong		Page Title: <b>CONTENT</b>	
Approved: J.Scott		Size B	Document Number SCH-76819 PDF: SPF-76819
Date: Tuesday, April 10, 2012		Sheet 1 of 3	Rev A

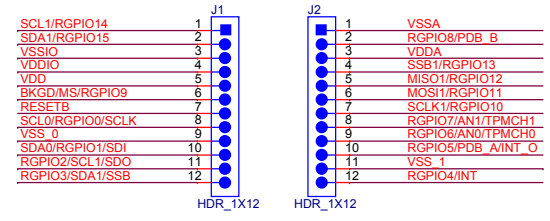
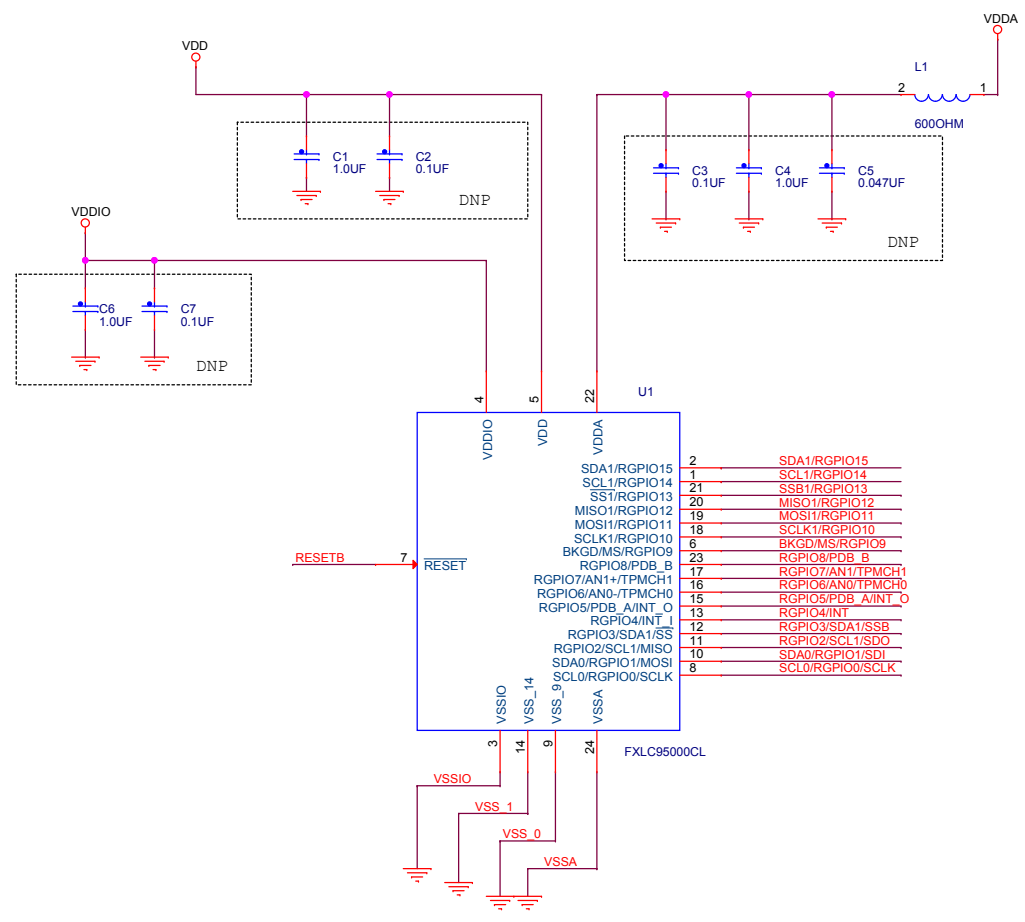


otherwise Specified:  
 are in ohms, most are 1%, 1/10 Watt. Otherwise are 5%, 1/8 Watt.

All capacitors are in uF, some are 10% or 20%  
 All voltages are DC  
 All polarized capacitors are tantalum

2. Interrupted lines coded with the same letter or letter combinations are electrically connected.
3. Device type number is for reference only. The number varies with the manufacturer.
4. Special signal usage:  
 \_B Denotes - Active-Low Signal  
 <> or [] Denotes - Vectored Signals
5. Interpret diagram in accordance with American National Standards Institute specifications, current revision, with the exception of logic block symbology.

Drawing Title: <b>DIP FXLC95000</b>		
Page Title: <b>NOTES</b>		
Size B	Document Number SCH-76819 PDF: SPF-76819	Rev A
Date: Tuesday, April 10, 2012	Sheet 2 of 3	



- 2 SDA1/RGPIO15
- 1 SCL1/RGPIO14
- 21 SSB1/RGPIO13
- 20 MISO1/RGPIO12
- 19 MOSI1/RGPIO11
- 18 SCL1/RGPIO10
- 6 BKGD/MS/RGPIO9
- 23 RGPIO8/PDB\_B
- 17 RGPIO7/AN1/TPMCH1
- 16 RGPIO6/AN0/TPMCH0
- 15 RGPIO5/PDB\_A/INT\_O
- 13 RGPIO4/INT
- 12 RGPIO3/SDA1/SSB
- 11 RGPIO2/SCL1/SDO
- 10 SDA0/RGPIO1/SDI
- 8 SCL0/RGPIO0/SCLK

Drawing Title:		
<b>DIP FXLC95000</b>		
Page Title:		
<b>FXLC95000 Schematic</b>		
Size B	Document Number	Rev A
	SCH-76819 PDF: SPF-76819	
Date:	Tuesday, April 10, 2012	Sheet 3 of 3