

# HOBBIT6UL-BB REV:A1

L=6, 100 x 45 mm

## PAGE TITLE

P01 Index

P02 Expansion CONN.

P03 IO LEVEL SHIFT

P04 DC-DC & M-SD

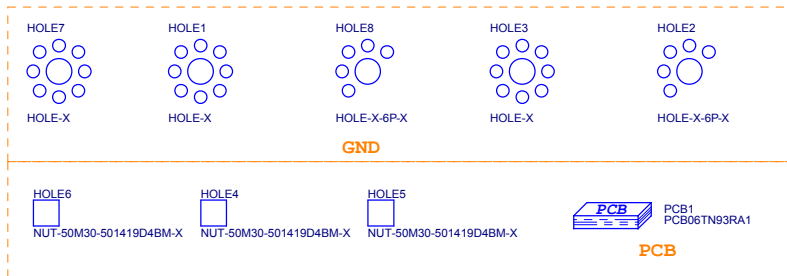
P05 Audio & HEADER

P06 RMII / RGMII

P07 HOST & Client USB

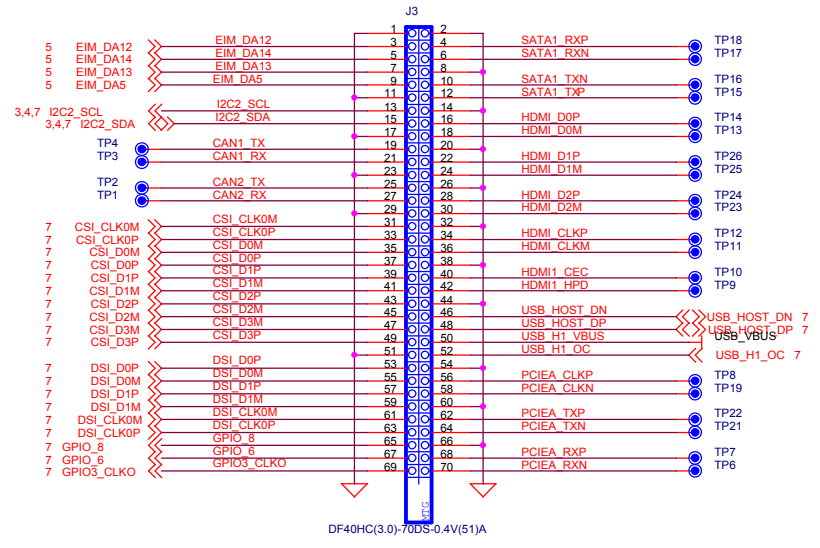
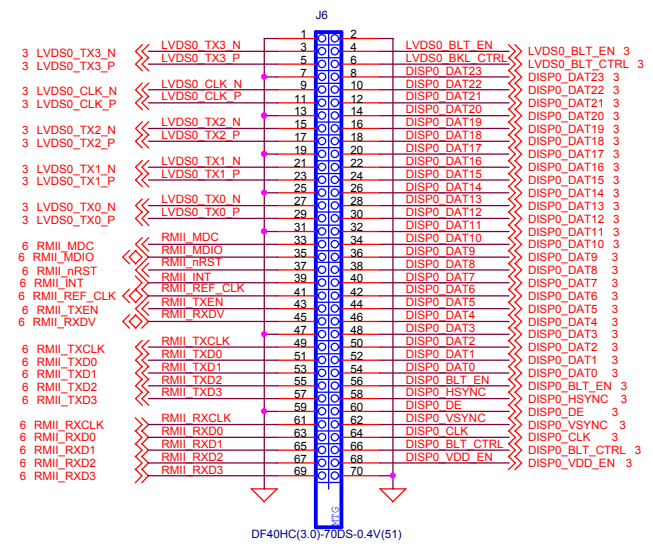
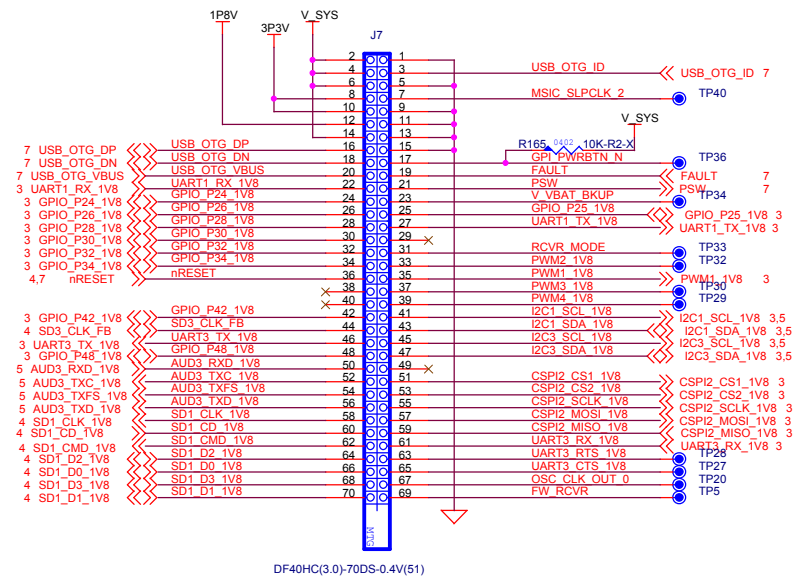
## WANDBOARD DESIGN AND DISCLAIMER

THERE IS NO WARRANTY FOR THE DESIGN MATERIALS, TO THE EXTENT PERMITTED BY APPLICABLE LAW. EXCEPT WHEN OTHERWISE STATED IN WRITING THE COPYRIGHT HOLDERS AND/OR OTHER PARTIES PROVIDE THE DESIGN MATERIALS "AS IS" WITHOUT WARRANTY OF ANY KIND, EITHER EXPRESSED OR IMPLIED, INCLUDING, BUT NOT LIMITED TO, THE IMPLIED WARRANTIES OF MERCHANTABILITY AND FITNESS FOR A PARTICULAR PURPOSE. THE ENTIRE RISK AS TO THE QUALITY AND PERFORMANCE OF THE DESIGN MATERIALS IS WITH YOU. SHOULD THE DESIGN MATERIALS PROVE DEFECTIVE, YOU ASSUME THE COST OF ALL NECESSARY SERVICING, REPAIR OR CORRECTION.

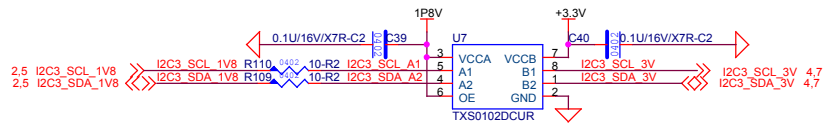
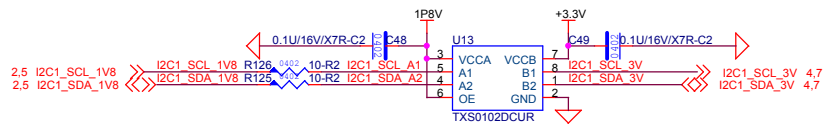
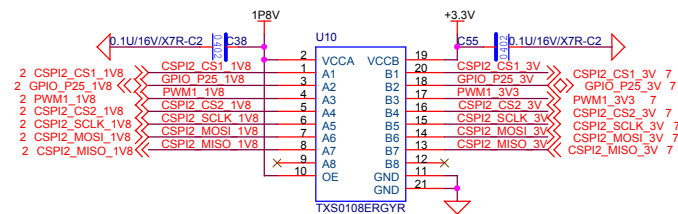
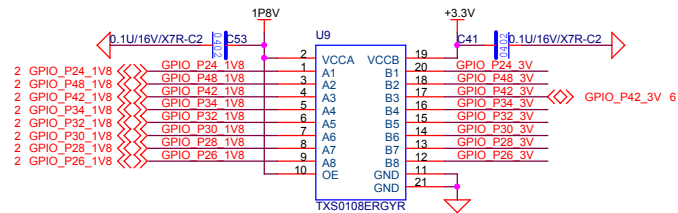
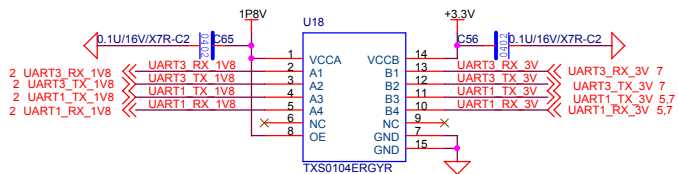


Components marked -X means not populated. (DNP)

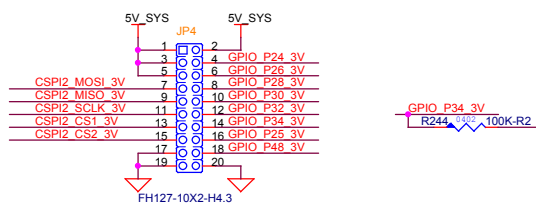
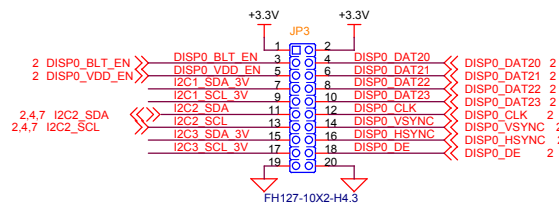
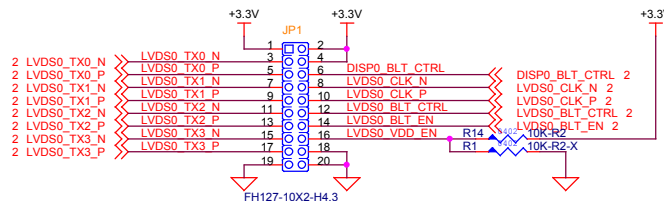
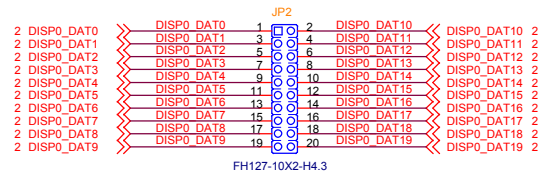
<b>WANDBOARD.ORG</b>		
Title <b>INDEX</b>		
Size Custom	Document Number <b>HOBBIT6UL-BB</b>	Rev <b>A1</b>
Date: Monday, March 14, 2016	Sheet 1	of 7



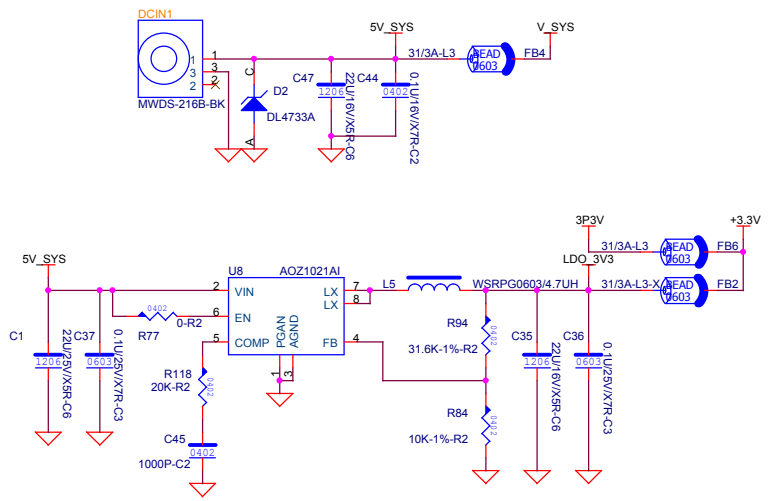
# I/O LEVEL SHIFT



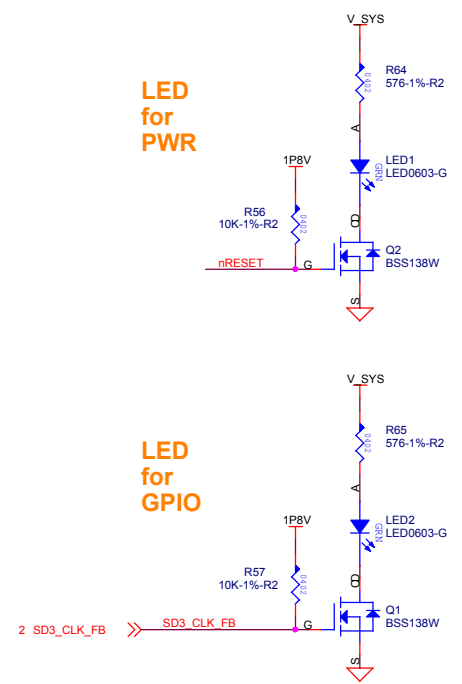
# Expansion headers



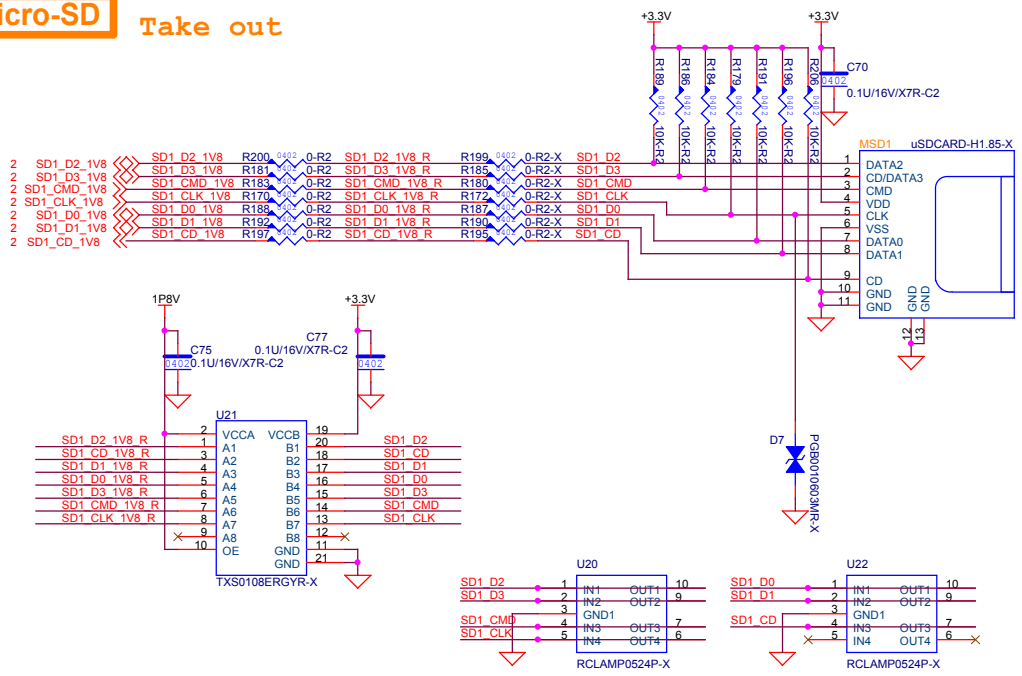
# DC-DC



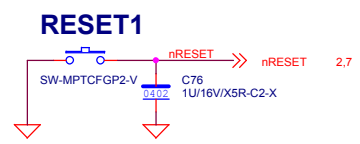
# LED



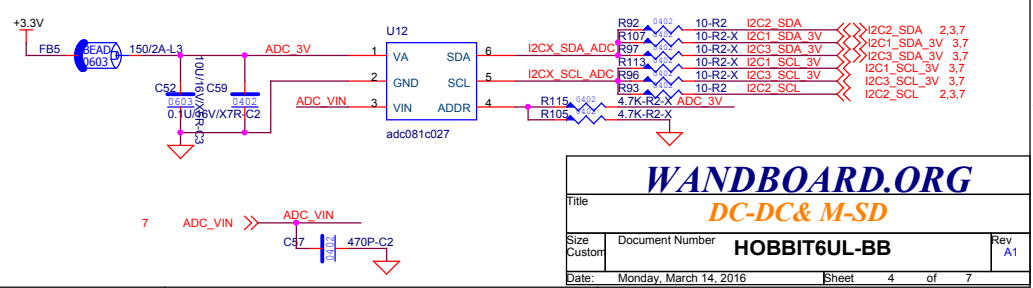
# Micro-SD Take out



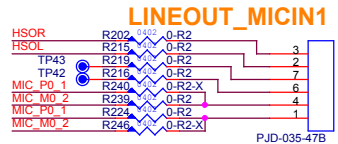
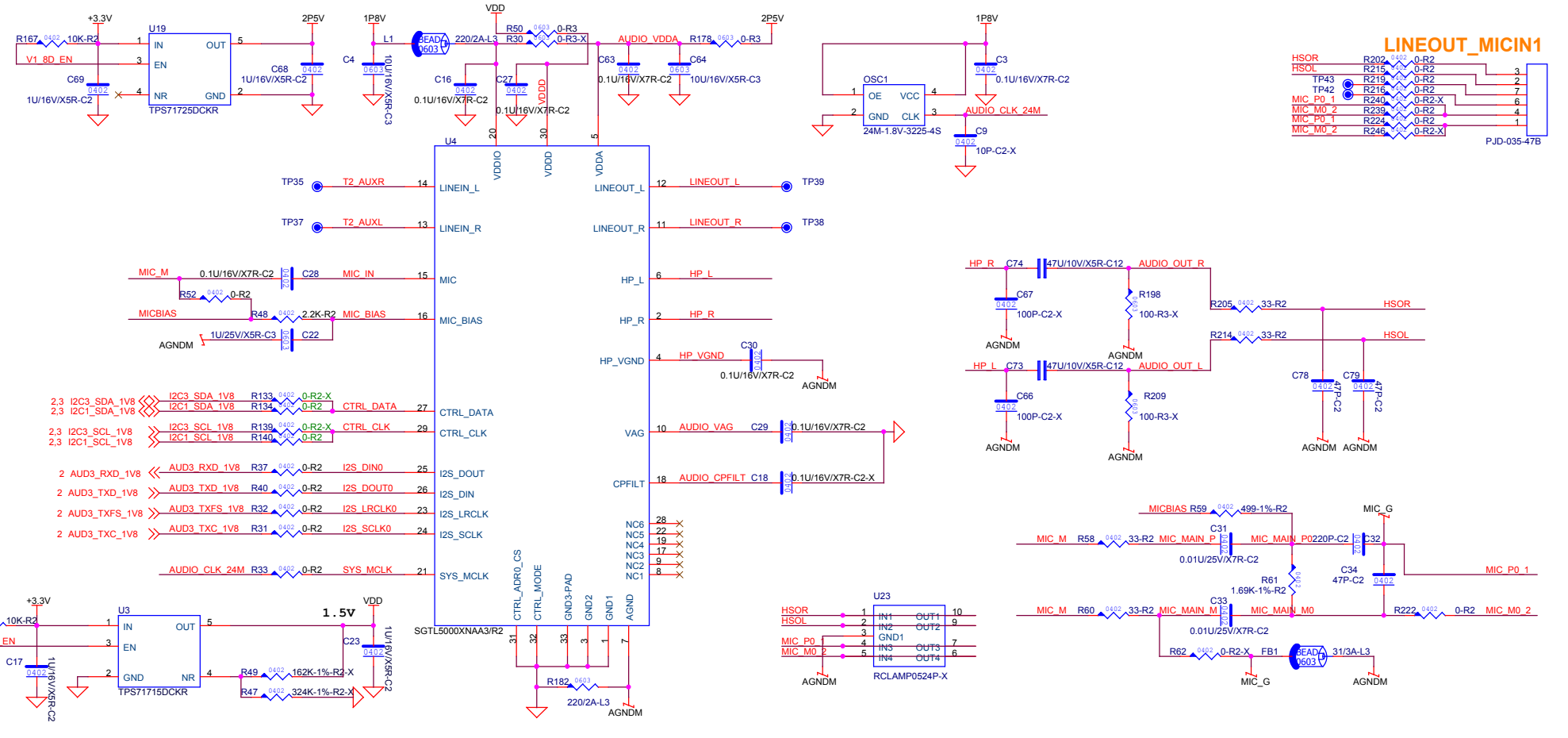
# BUTTON



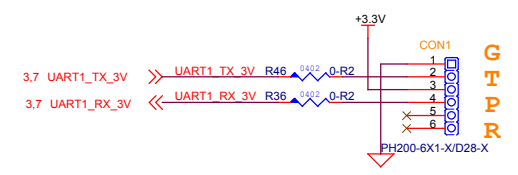
# ADC



# AUDIO



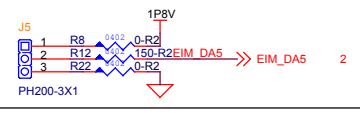
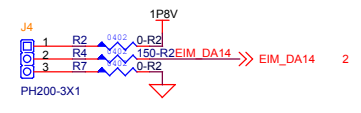
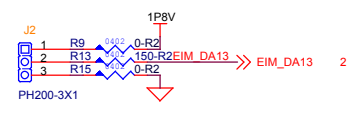
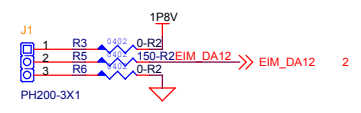
# CONSOLE



# BOOT HEADER

**IMX6UL BOOT Type Jumper Settings**

MODE0	MODE1	BMODE [0:1]
J1	J4	Serial Downloader (USB C)
1-2	2-3	
2-3	1-2	Internal Boot (eMMC)

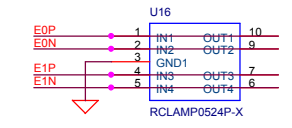
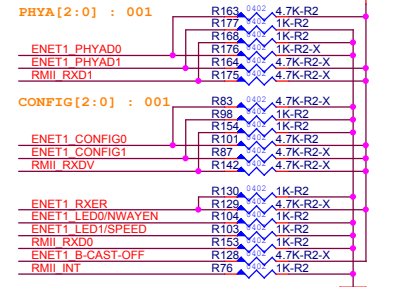
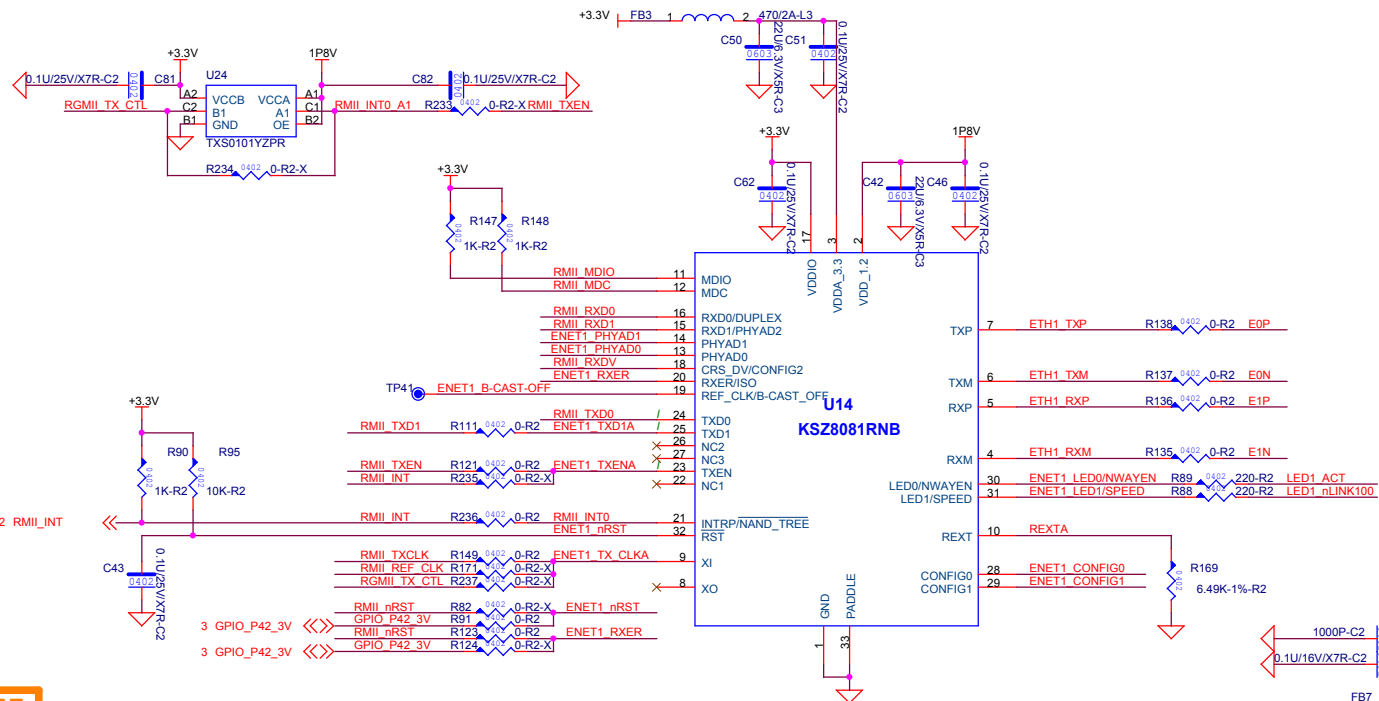


**WANDBOARD.ORG**

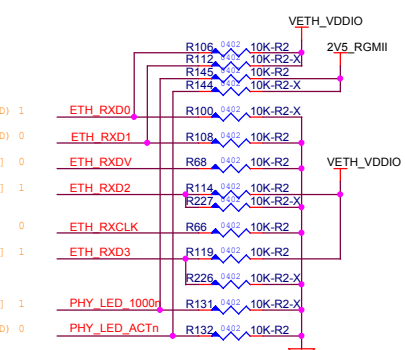
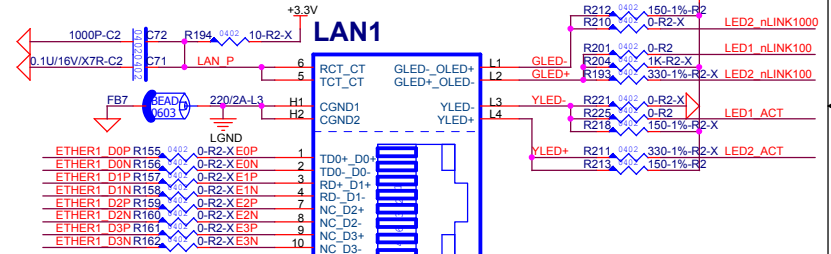
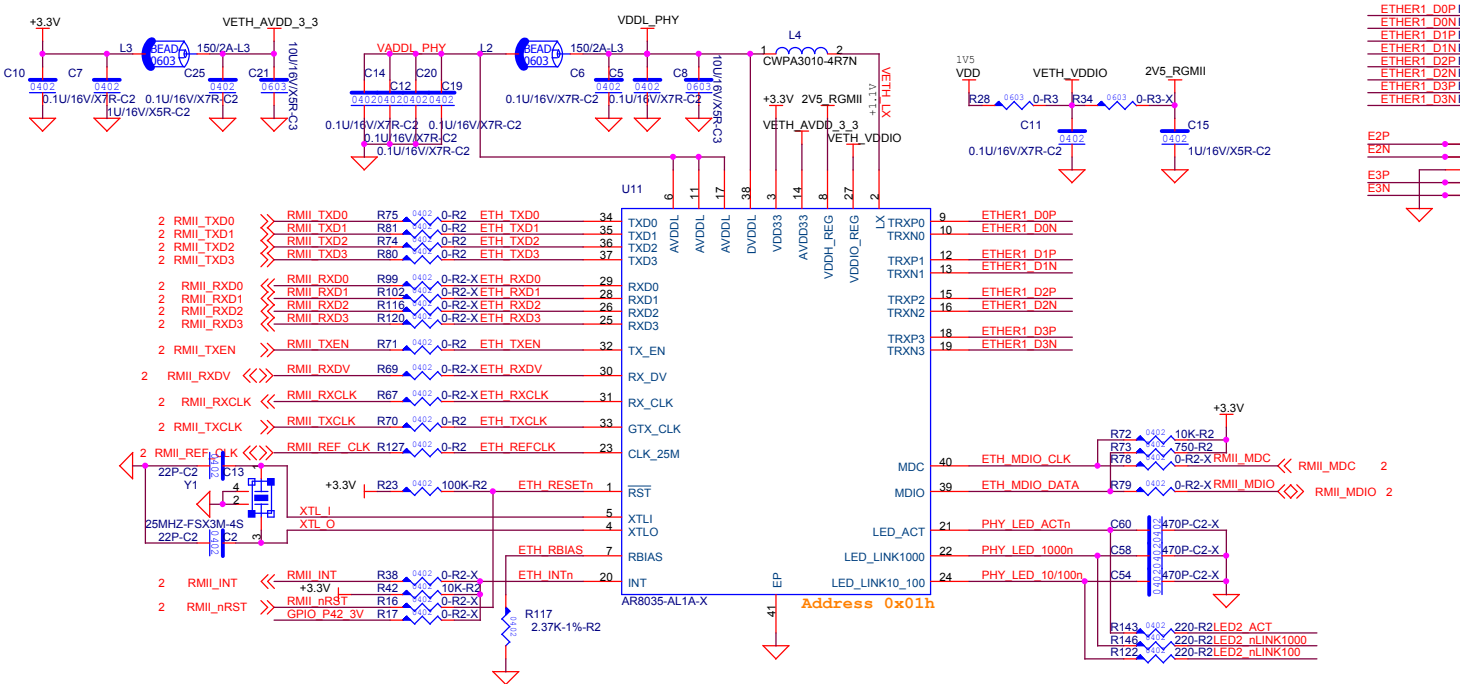
*Audio & HEADER*

Title		Rev
Size	Document Number	A1
<b>HOBBIT6UL-BB</b>		
Date:	Monday, March 14, 2016	Sheet 5 of 7

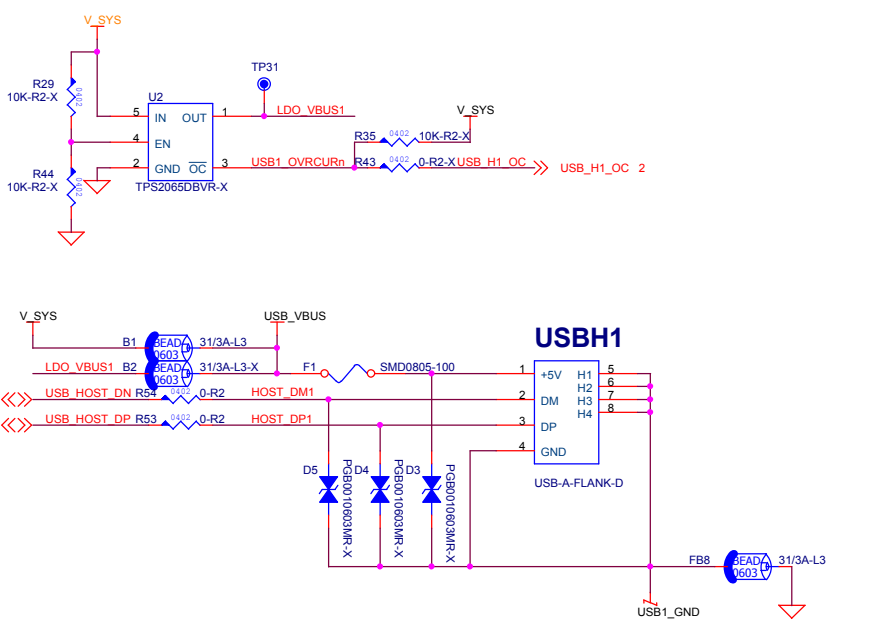
**RMII**



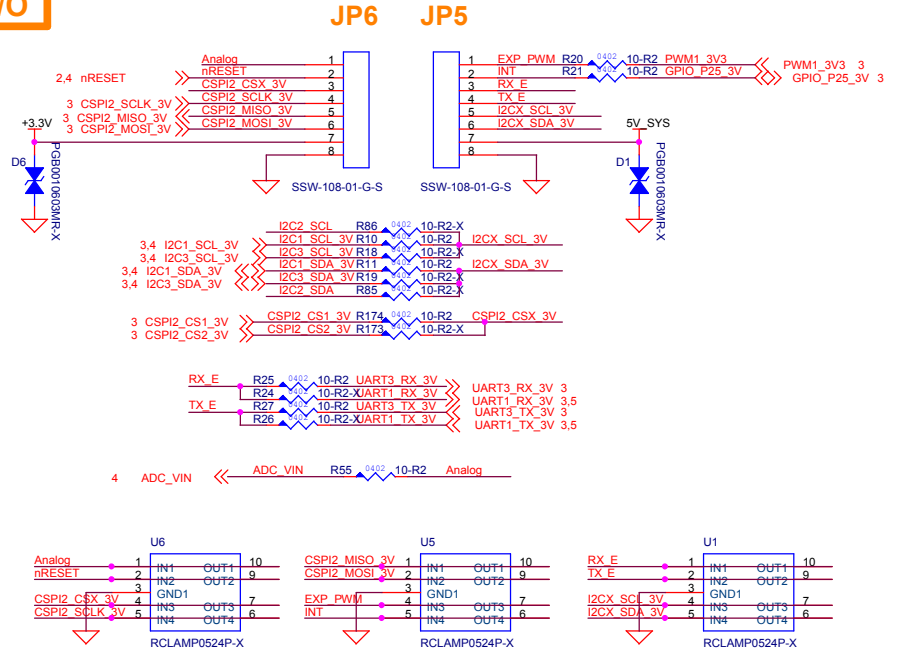
**RGMII Option**



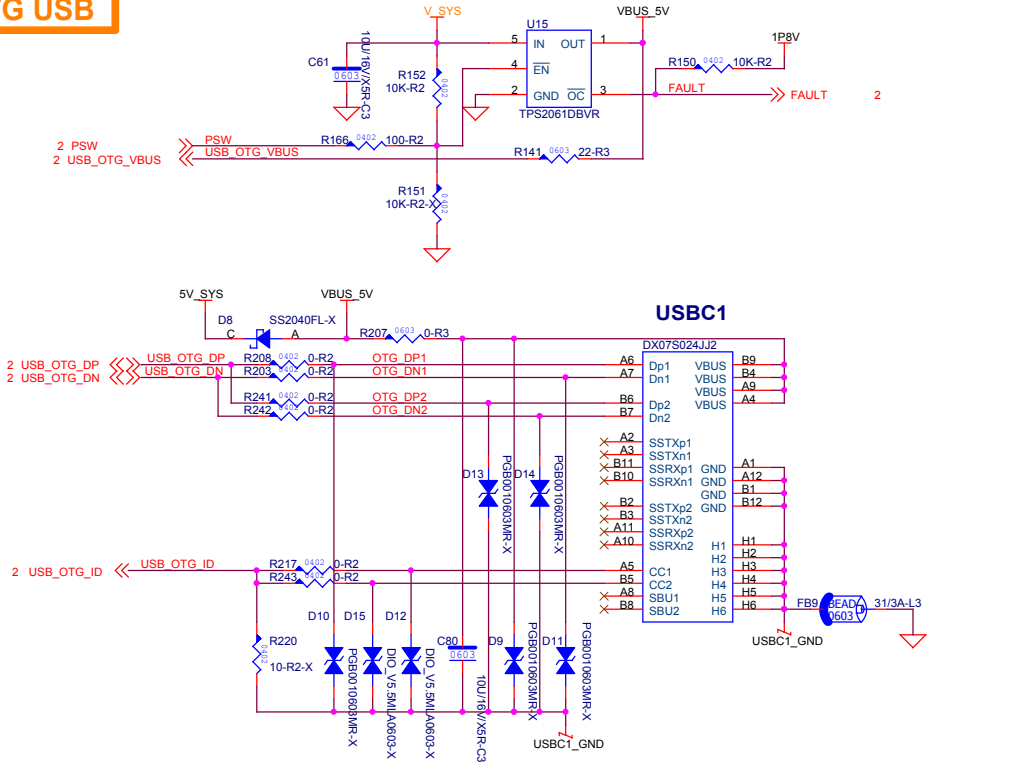
# HOST USB



# BUS I/O

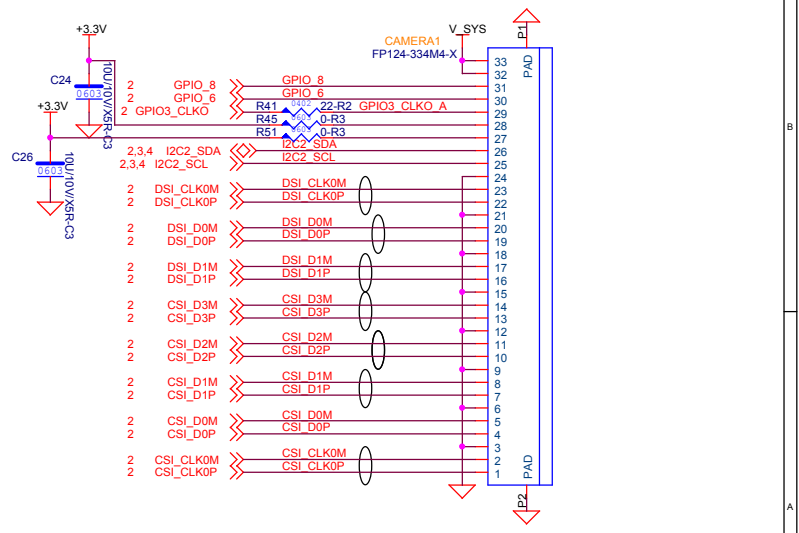


# OTG USB



# CAMERA Connector

## Option



<b>WANDBOARD.ORG</b>		
Title <b>Host &amp; Client USB</b>		
Size Custom	Document Number <b>HOBBIT6UL-BB</b>	Rev <b>A1</b>
Date: Monday, March 14, 2016	Sheet 7	of 7