
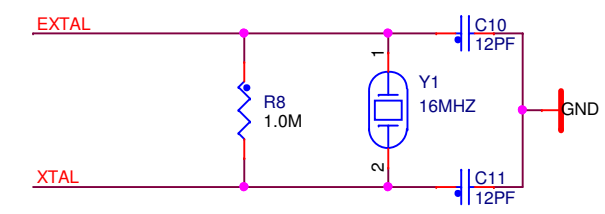
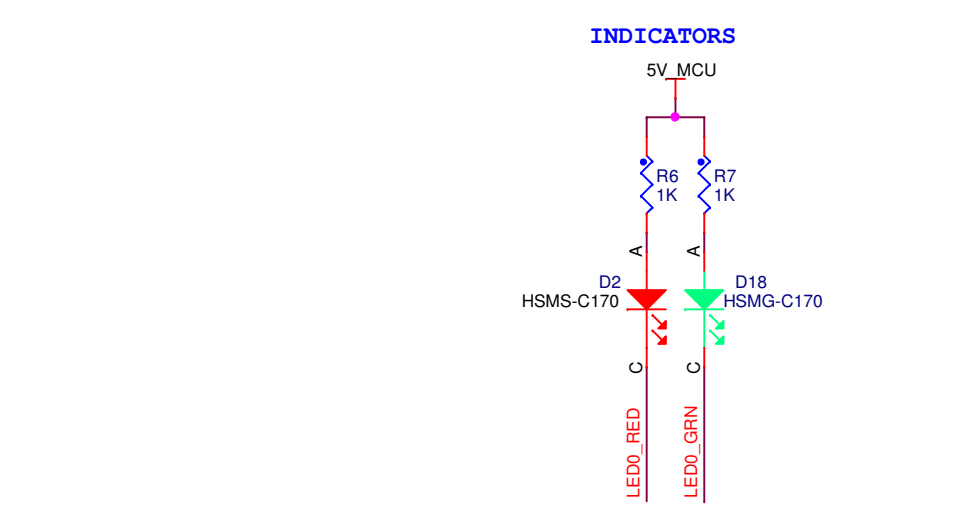
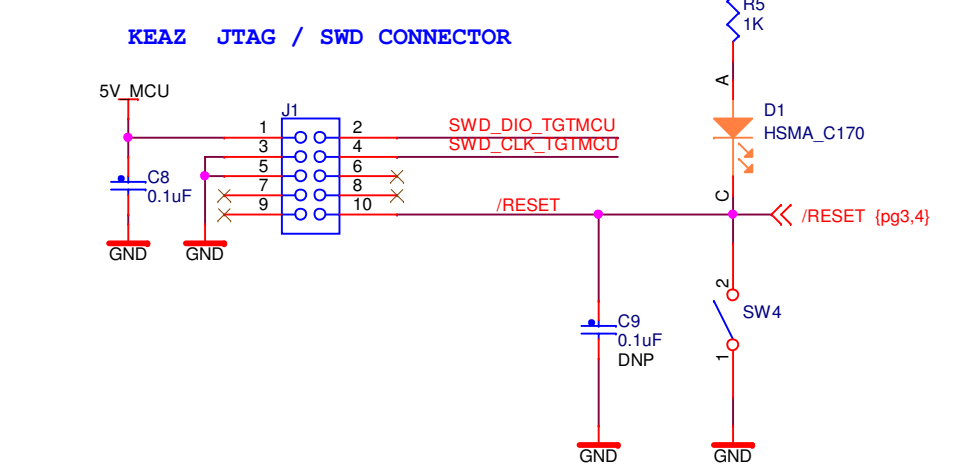
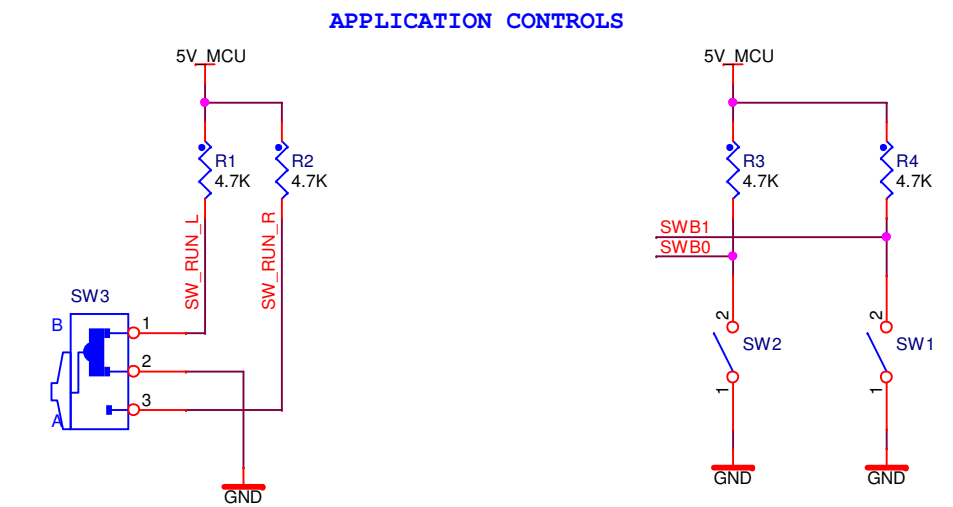
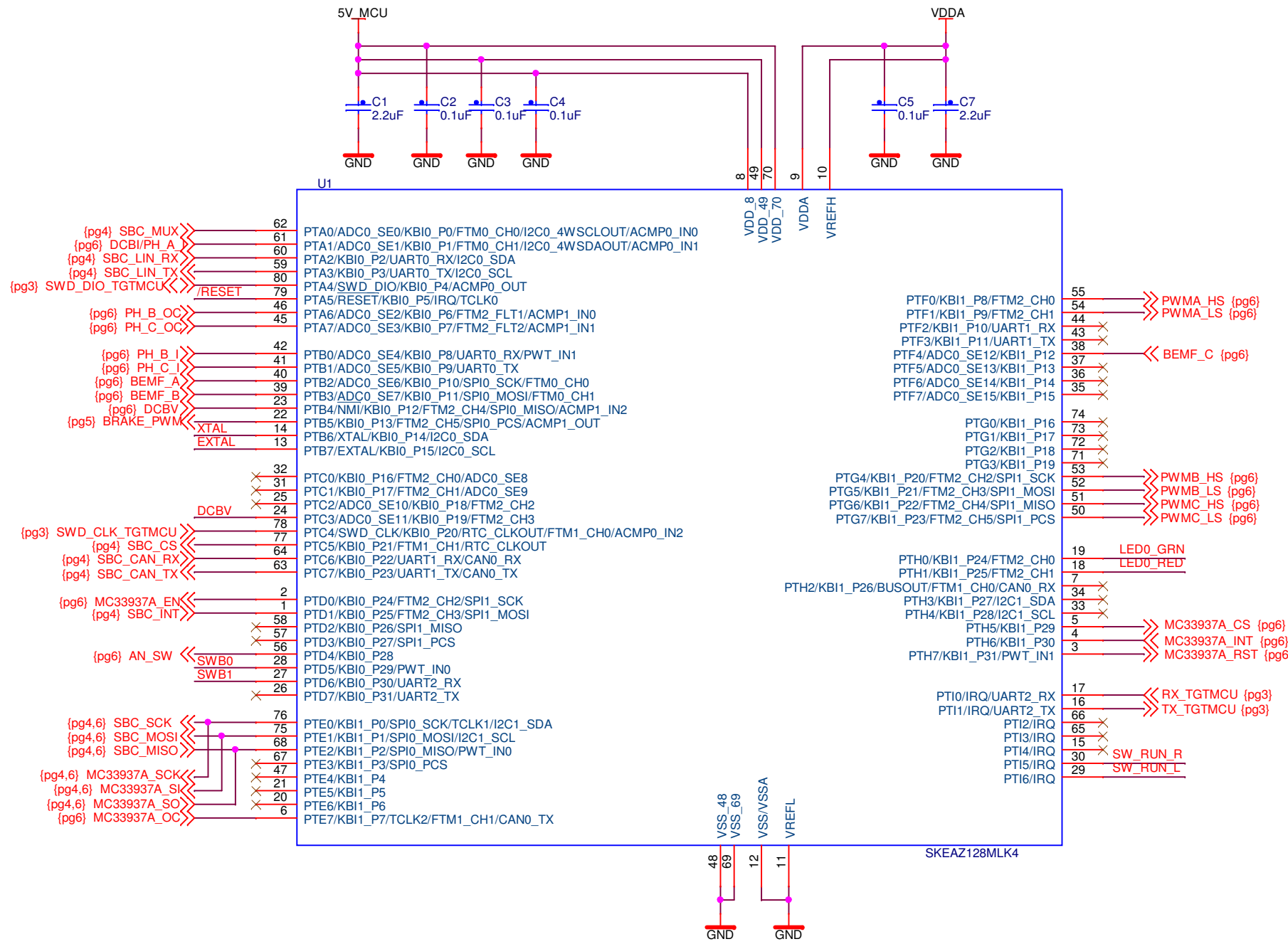


| | |
|-------------------------|-----------------------------|
| 5 | |
| 4 | |
| 3 | |
| 2 | |
| 1 | |
| able of Contents | |
| E PAGE | |
| 02 | MCU |
| 03 | DEBUG INTERFACE |
| 04 | SUPPLY |
| 05 | POWER BRIDGE |
| 06 | MOSFET DRIVERS / VI SENSING |

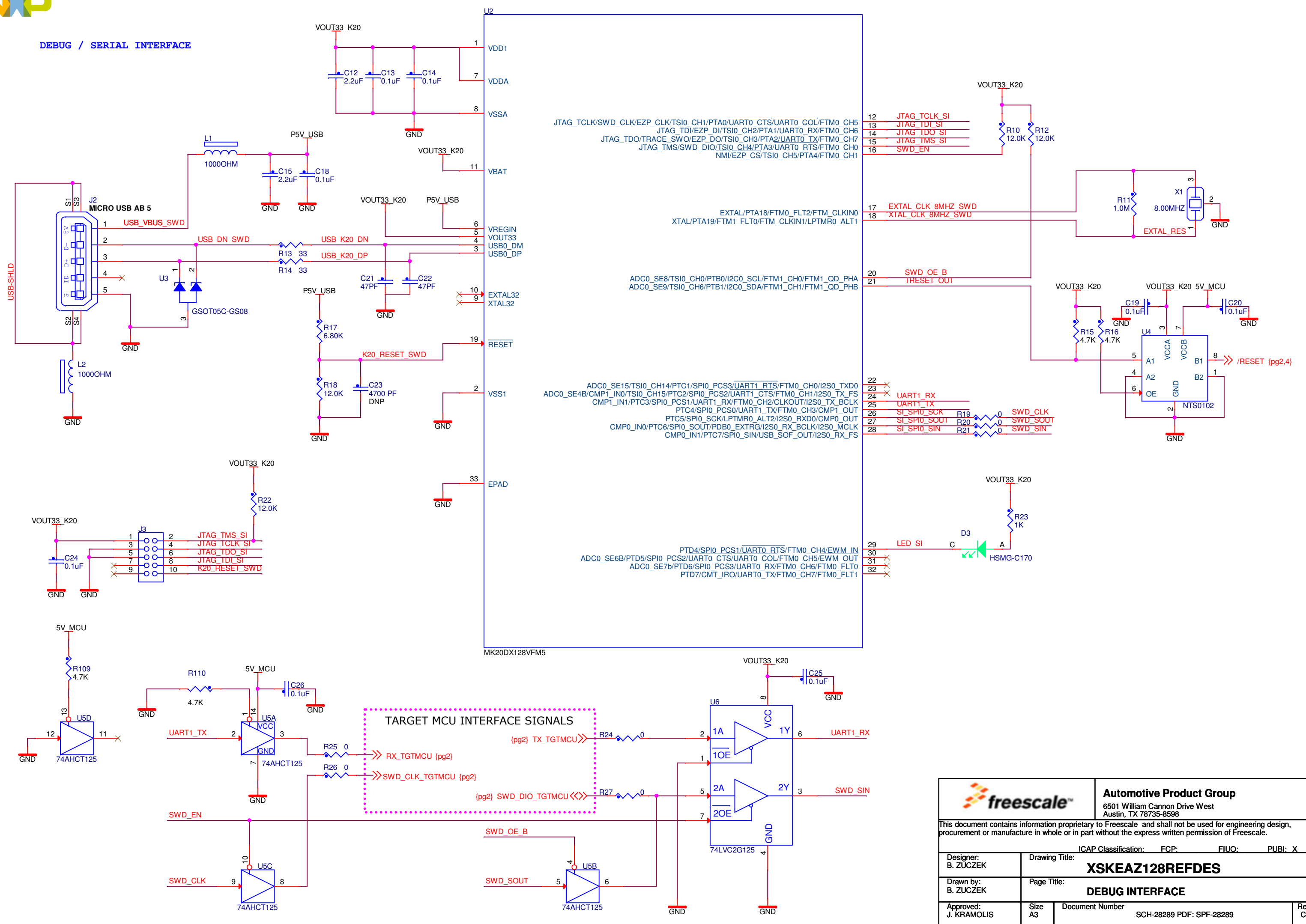
| | | | |
|---|--|--|----------|
|  | | Automotive Product Group 6501 William Cannon Drive West Austin, TX 78735-8598 | |
| This document contains information proprietary to Freescale and shall not be used for engineering design, procurement or manufacture in whole or in part without the express written permission of Freescale. | | | |
| ICAP Classification: FCP: FIUO: PUBI: X | | | |
| Designer: B. ZUCZEK | Drawing Title: XSKEAZ128REFDES | | |
| Drawn by: B. ZUCZEK | Page Title: TITLE PAGE | | |
| Approved: J. KRAMOLIS | Size A3 | Document Number SCH-28289 PDF: SPF-28289 | Rev C |
| Date: | Tuesday, May 20, 2014 | Sheet | 1 of 6 |



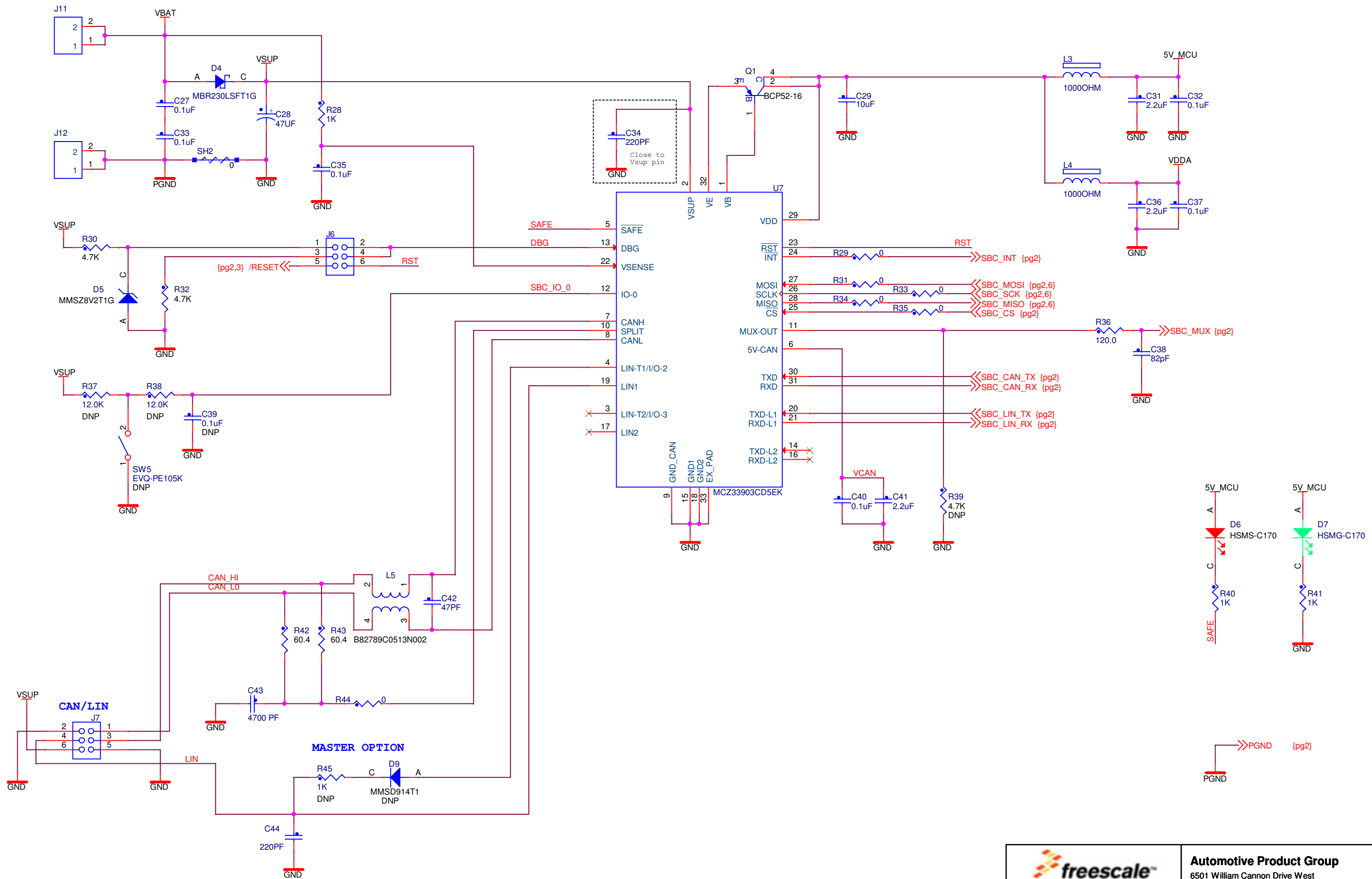
| | | | |
|---|---|--|---------------|
| | | Automotive Product Group 6501 William Cannon Drive West Austin, TX 78735-8598 | |
| This document contains information proprietary to Freescale and shall not be used for engineering design, procurement or manufacture in whole or in part without the express written permission of Freescale. | | | |
| ICAP Classification: | | FCP: | FIUO: PUBI: X |
| Designer: B. ZUCZEK | Drawing Title: XSKEAZ128REFDES | | |
| Drawn by: B. ZUCZEK | Page Title: MCU / CONTROLS / INDICATORS / DEBUG | | |
| Approved: J. KRAMOLIS | Size A3 | Document Number SCH-28289 PDF: SPF-28289 | Rev C |
| Date: Tuesday, May 20, 2014 | | Sheet 2 of 6 | |



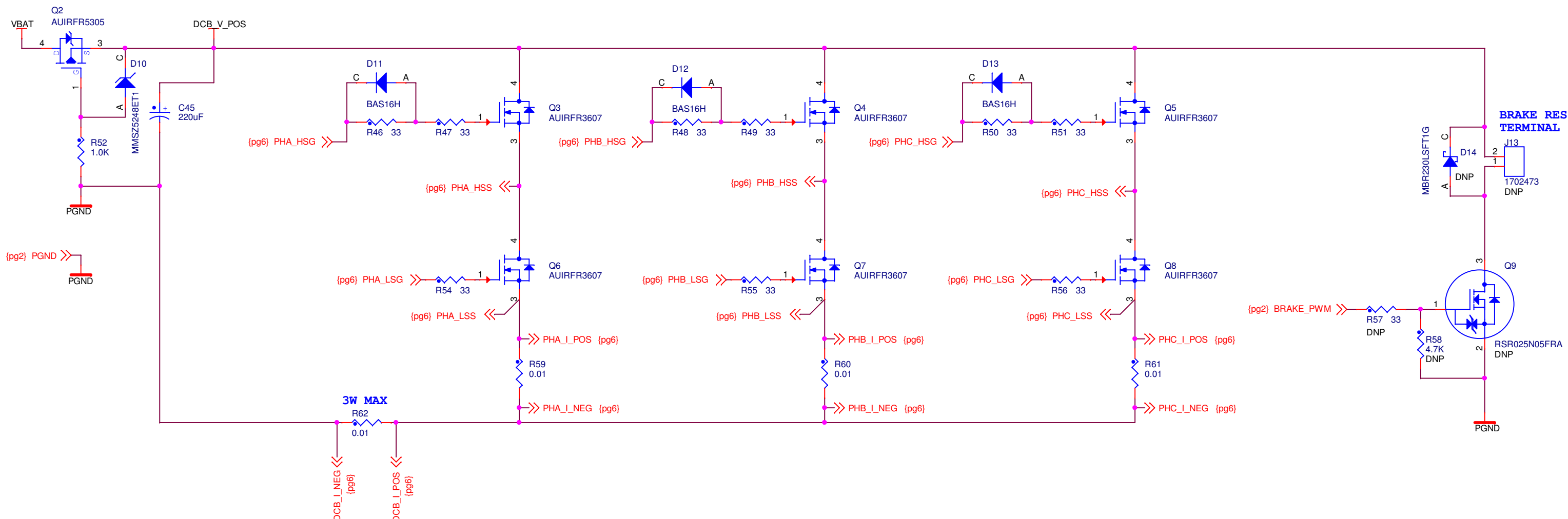
DEBUG / SERIAL INTERFACE



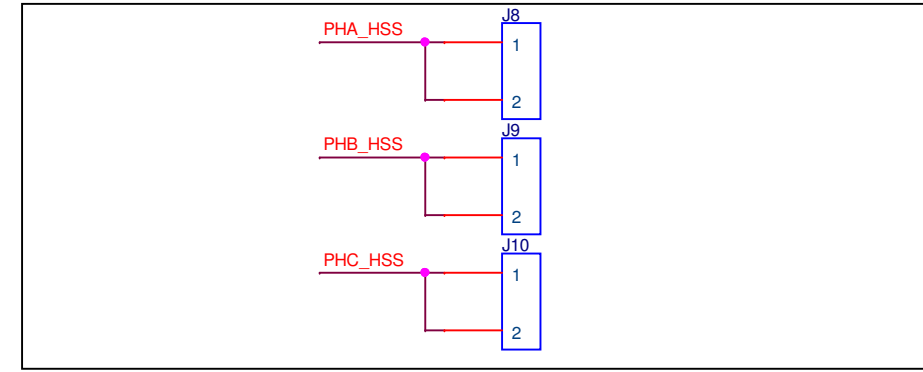
| | | | |
|---|--|---|----------|
| | | Automotive Product Group | |
| | | 6501 William Cannon Drive West Austin, TX 78735-8598 | |
| This document contains information proprietary to Freescale and shall not be used for engineering design, procurement or manufacture in whole or in part without the express written permission of Freescale. | | | |
| ICAP Classification: FCP: | | FIUO: PUBI: X | |
| Designer: B. ZUCZEK | Drawing Title: XSKEAZ128REFDES | | |
| Drawn by: B. ZUCZEK | Page Title: DEBUG INTERFACE | | |
| Approved: J. KRAMLIS | Size A3 | Document Number SCH-28289 PDF: SPF-28289 | Rev C |
| Date: Tuesday, May 20, 2014 | | Sheet 3 of 6 | |



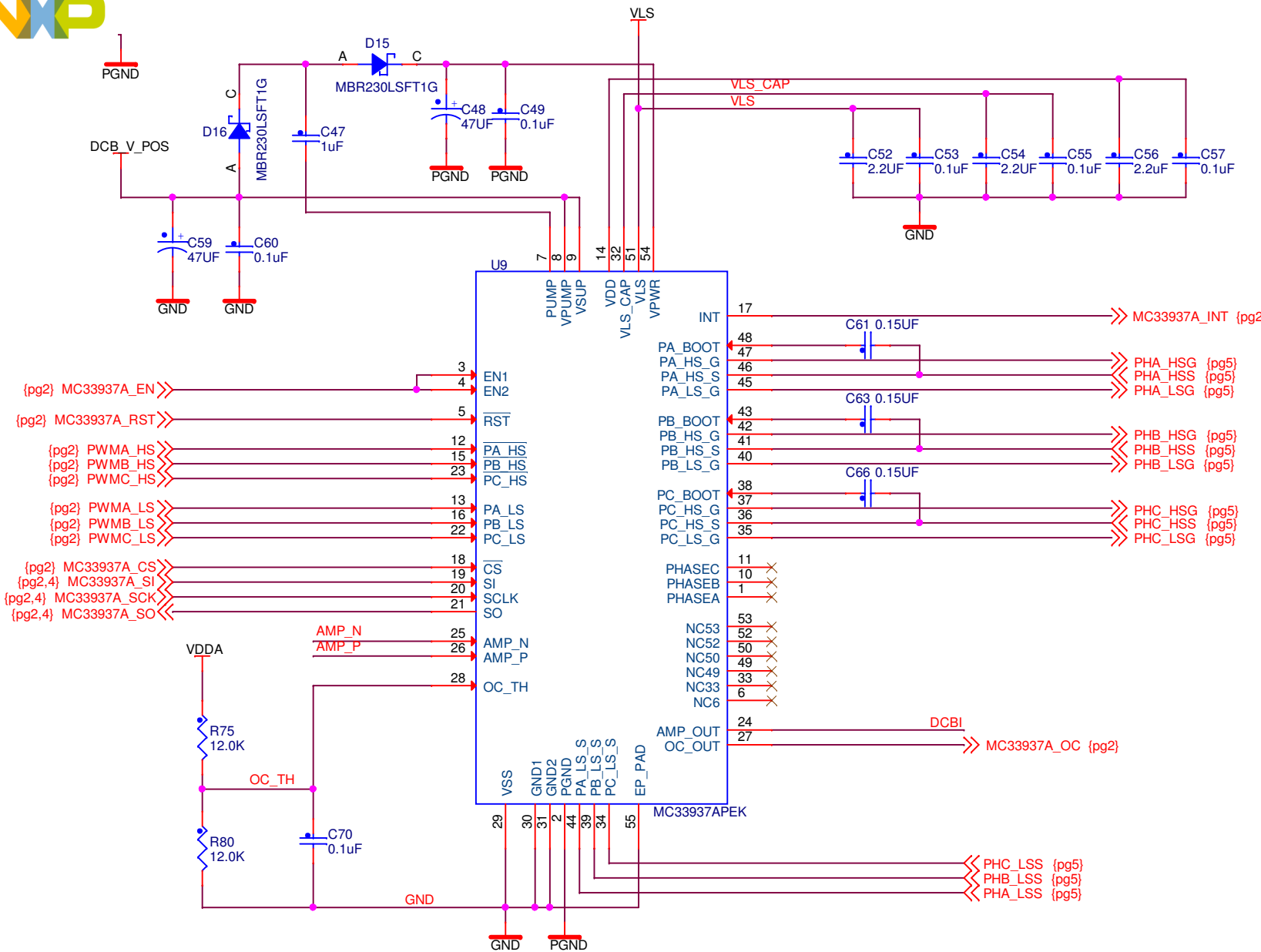
| | | | |
|--|--|---|--|
| | | Automotive Product Group 6501 William Cannon Drive West Austin, TX 78735-8598 | |
| | | This document contains information proprietary to Freescale and shall not be used for engineering design, procurement or manufacture in whole or in part without the express written permission of Freescale. | |
| ICAP Classification: FCP: FIUO: PUBI: X | | Designer: B. ZUCZEK | |
| Drawing Title: XSKEAZ128REFDES | | Drawn by: B. ZUCZEK | |
| Page Title: POWER SUPPLY | | Approved: J. KRAMOLIS | |
| Size A3 | | Document Number SCH-28289 PDF: SPF-28289 | |
| Date: Tuesday, May 20, 2014 | | Rev C | |
| Sheet 4 of 6 | | | |



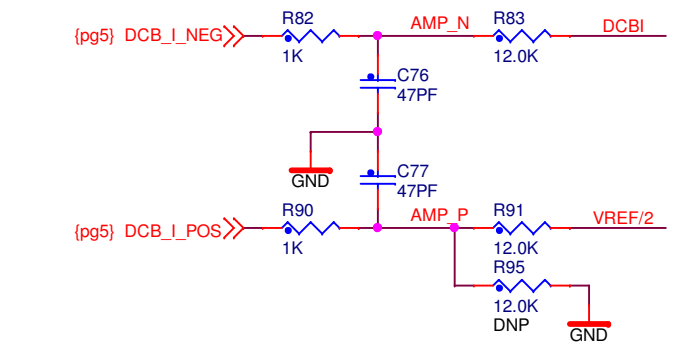
OUTPUT TERMINAL



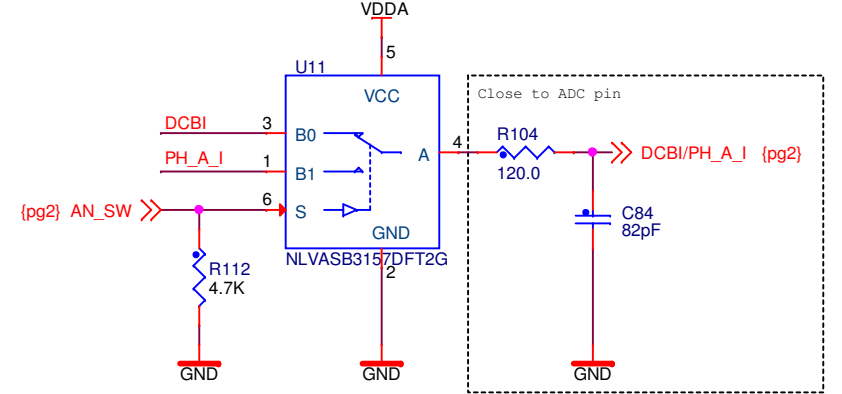
| | | | |
|--------------------------------|--|---|---|
| | | Automotive Product Group 6501 William Cannon Drive West Austin, TX 78735-8598 | |
| | | This document contains information proprietary to Freescale and shall not be used for engineering design, procurement or manufacture in whole or in part without the express written permission of Freescale. | |
| Designer: B. ZUCZEK | | Drawing Title: XSKEAZ128REFDES | |
| Drawn by: B. ZUCZEK | | Page Title: POWER BRIDGE | |
| Approved: J. KRAMOLIS | | Size A3 | Document Number SCH-28289 PDF: SPF-28289 |
| Date: Tuesday, May 20, 2014 | | Sheet 5 | of 6 |



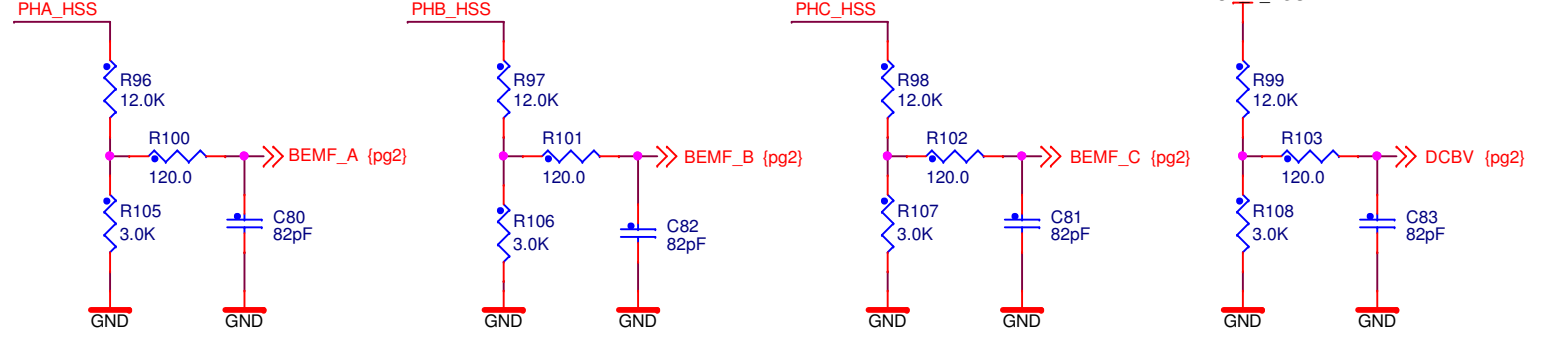
DC BUS Current Sensing
 $A = 12K / 1K = 12$
 $U_a = (I_{dcb} * 0.01 * A) + 2.5V$
 $I_{dcb} = \langle -20.83 \dots 20.83 \rangle [A]$
 $U_a = \langle 0 \dots 5 \rangle [V]$



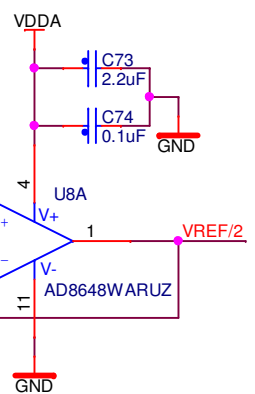
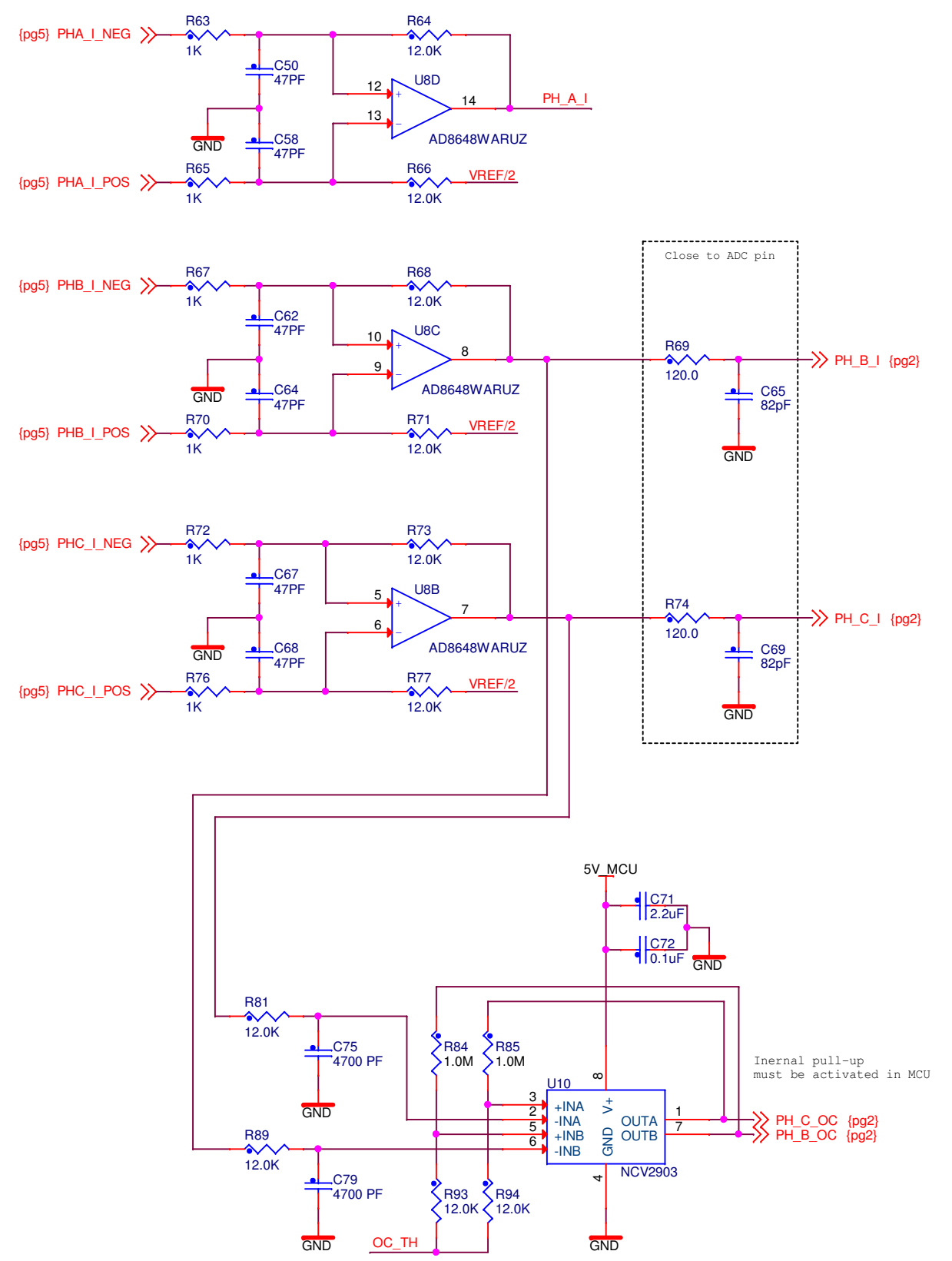
DC BUS Current/Phase A current switch



Back EMF Voltage sensing



PHASE A/B/C CURRENT SENSING



| | | | |
|---|---|---|----------|
| | | Automotive Product Group | |
| | | 6501 William Cannon Drive West Austin, TX 78735-8598 | |
| This document contains information proprietary to Freescale and shall not be used for engineering design, procurement or manufacture in whole or in part without the express written permission of Freescale. | | | |
| ICAP Classification: FCP: | | FIUO: PUBI: X | |
| Designer: B. ZUCZEK | Drawing Title: XSKEAZ128REFDES | | |
| Drawn by: B. ZUCZEK | Page Title: MOSFET DRIVERS / VI SENSING | | |
| Approved: J. KRAMOLIS | Size A3 | Document Number SCH-28289 PDF: SPF-28289 | Rev C |
| Date: Tuesday, May 20, 2014 | | Sheet 6 of 6 | |