


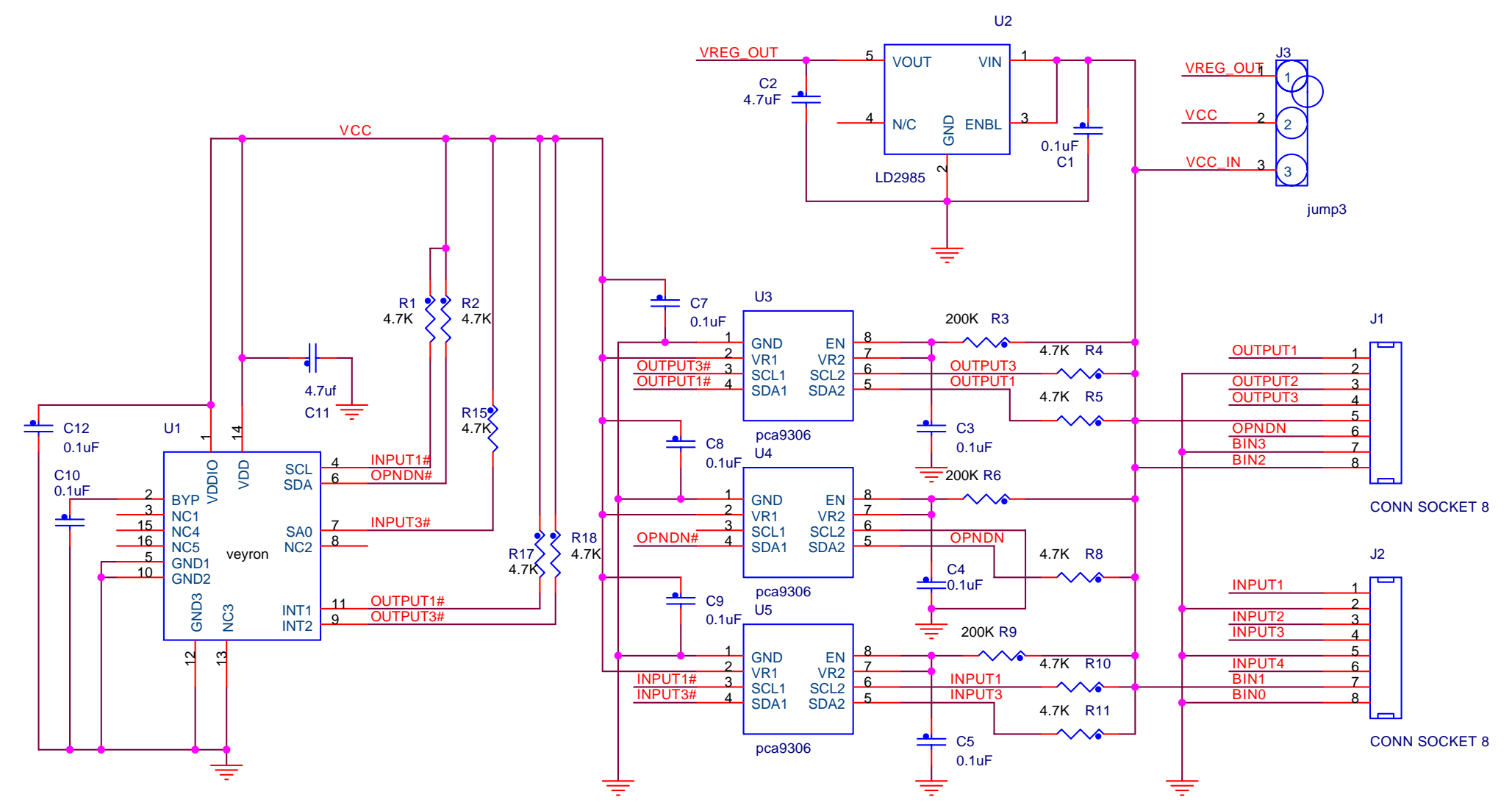
1	Cover Page
2	Circuitry

Rev	Description	Date
0	Original Release	xx-xx-xx

**NOTES:**

- UNLESS OTHERWISE SPECIFIED:  
RESISTANCE VALUES ARE IN OHMS.  
RESISTORS ARE 1/10 W, ±1% or 1/8W, ±5%.  
CAPACITANCE VALUES ARE IN MICROFARADS, ±10% or ±20%.  
POLARIZED CAPACITORS ARE TANTALUM.
- INTERRUPTED LINES CODED WITH THE SAME LETTER OR LETTER COMBINATIONS ARE ELECTRICALLY CONNECTED.
- DEVICE TYPE NUMBER IS FOR REFERENCE ONLY. THE NUMBER VARIES PER MANUFACTURER.
- SPECIAL SIGNAL USAGE:  
\_B DENOTES - ACTIVE-LOW SIGNAL  
<> OR [] DENOTES - VECTORED SIGNALS
- INTERPRET DRAWING IAW ANSI SPECIFICATIONS, CURRENT REVISION, WITH THE EXCEPTION OF LOGIC BLOCK SYMBOLOGY.

		<p><b>Detroit Automotive Technology Center</b> 28125 Cabot Drive, Suite 100 Novi, MI 48377</p>			
					<p><b>TITLE:</b> <b>LFSTBDA8451</b></p>
Drawn by: CDC Technologies, Inc.	Date: 12/07/2010	SIZE B	GEDTTL: GEDABV:	DWG. NO. <b>LFSTBDA8451</b>	REV: <b>0</b>
Designer: CDC Technologies, Inc.	Ref: CDC2115				
Approved: Daniel Beeker	Date: 12/07/2010	LAST MODIFIED= Tuesday, December 07, 2010		SHEET 1 of 2	
Quality: Daniel Beeker	Date: 12/07/2010				



		<b>Detroit Automotive Technology Center</b> 28125 Cabot Drive, Suite 100 Novi, MI 48377	
		Drawing Title: <b>LFSTBDA8451</b>	
Drawn by: CDC Tech, Inc.	Date: 12/07/2010	Page Title: <b>Circuitry</b>	
Designer: CDC Tech, Inc.	Ref: CDC2115	Document Number: LFSTBDA8451	
Approved: Daniel Beeker	Date: 12/07/2010	Date: Tuesday, December 07, 2010	
Quality: Daniel Beeker	Date: 12/07/2010	Sheet 2 of 2	Size B