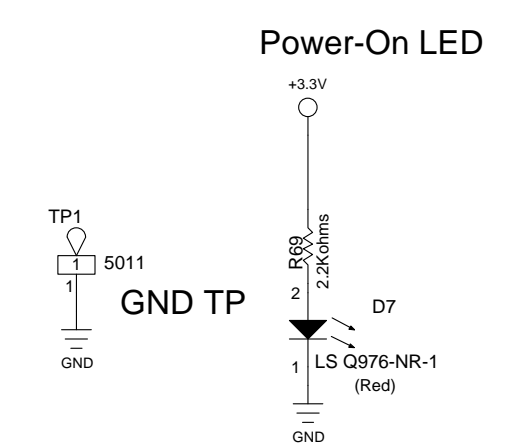
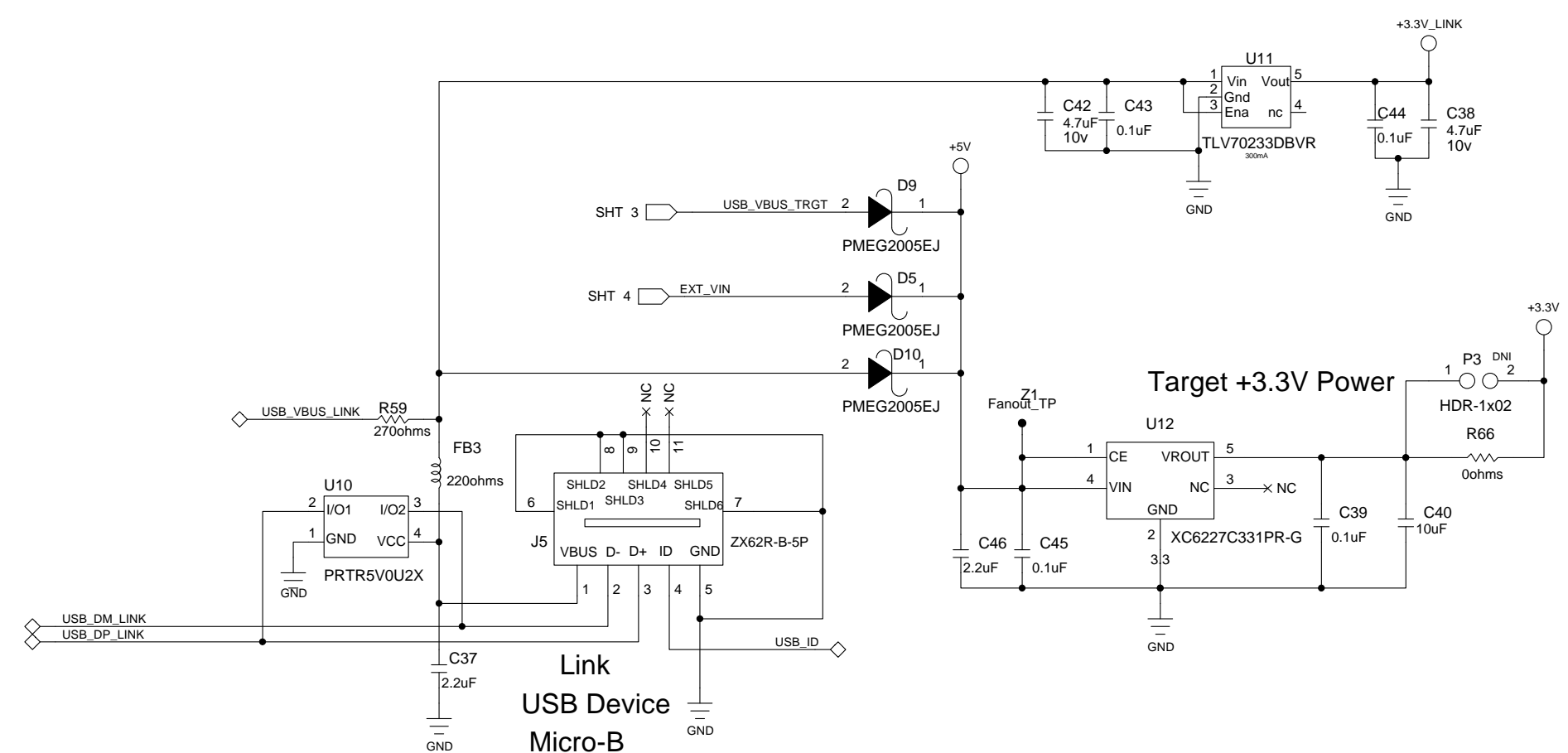
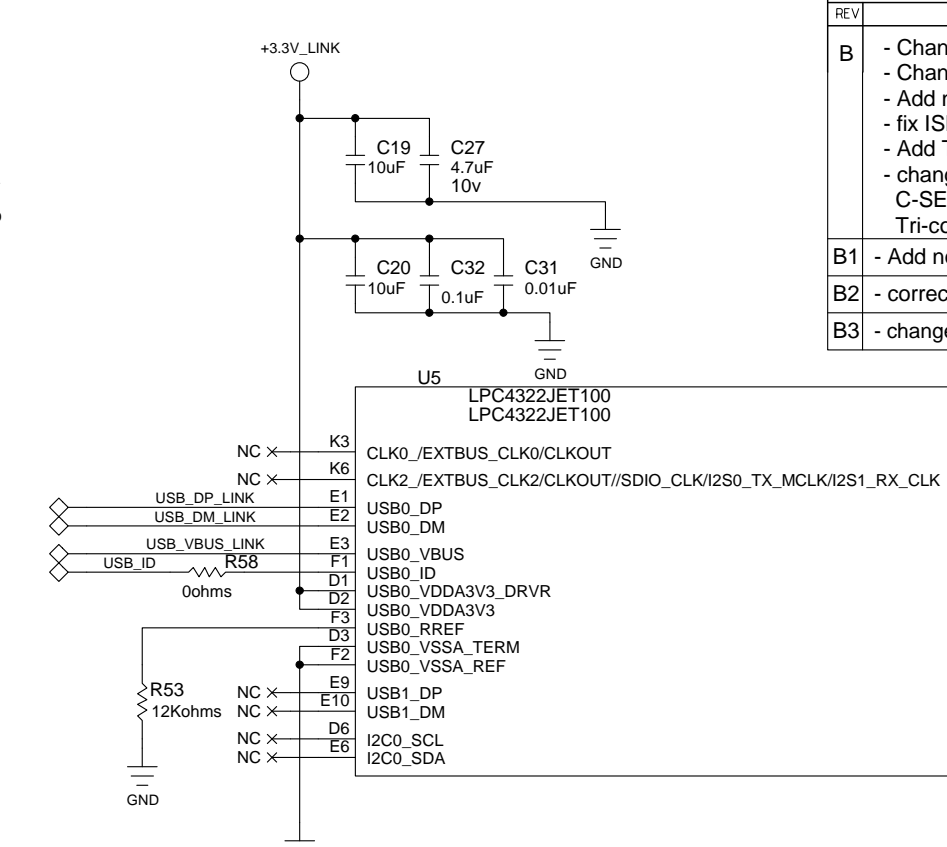
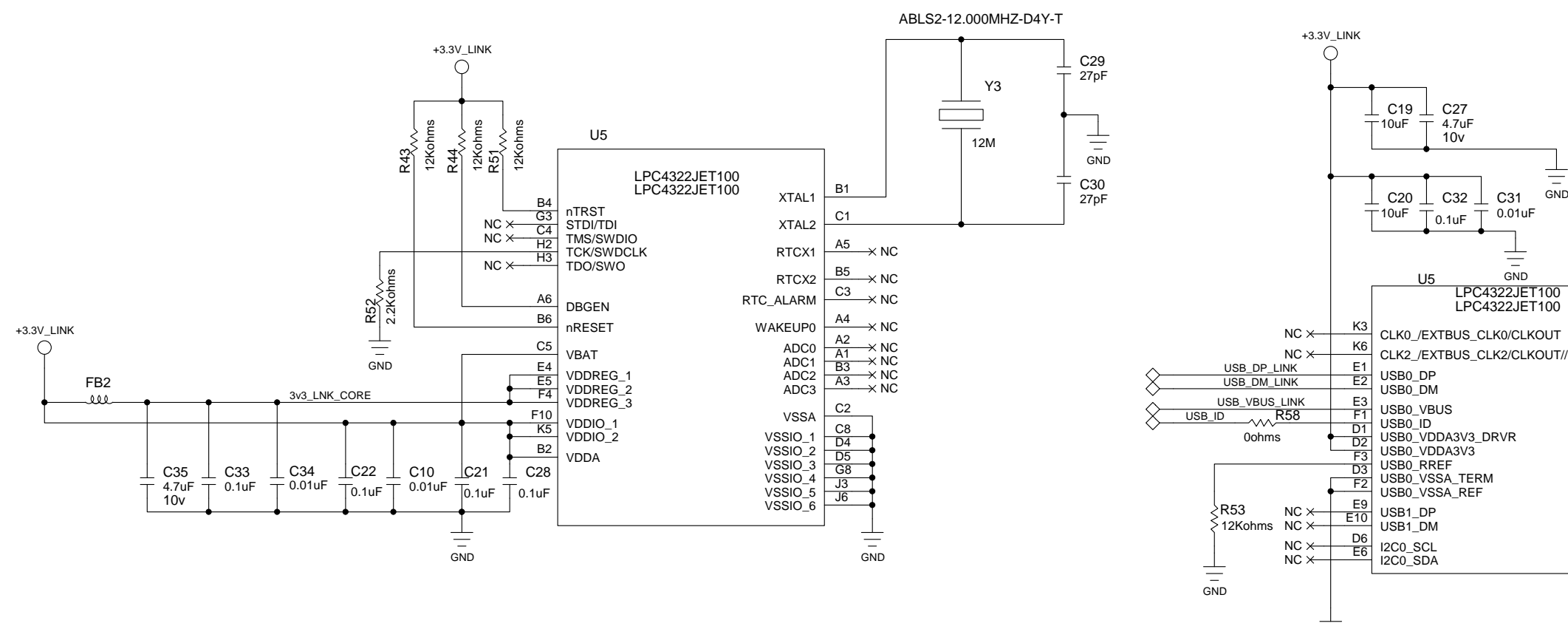
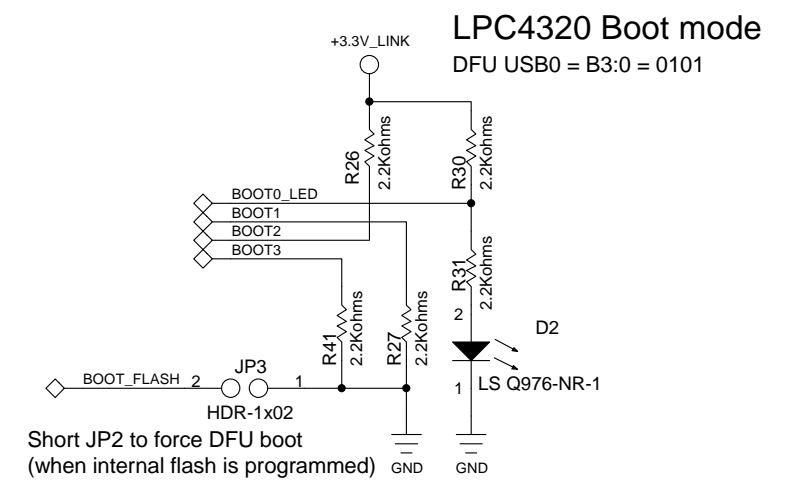
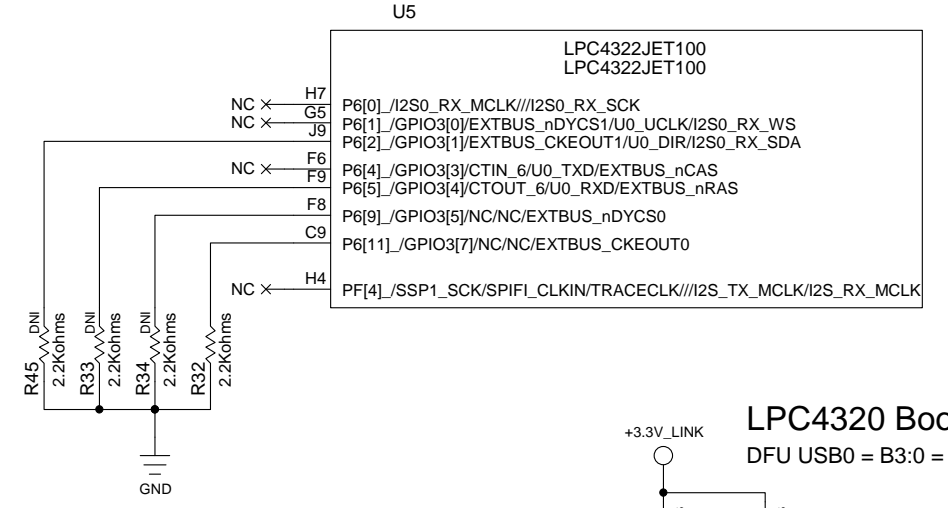
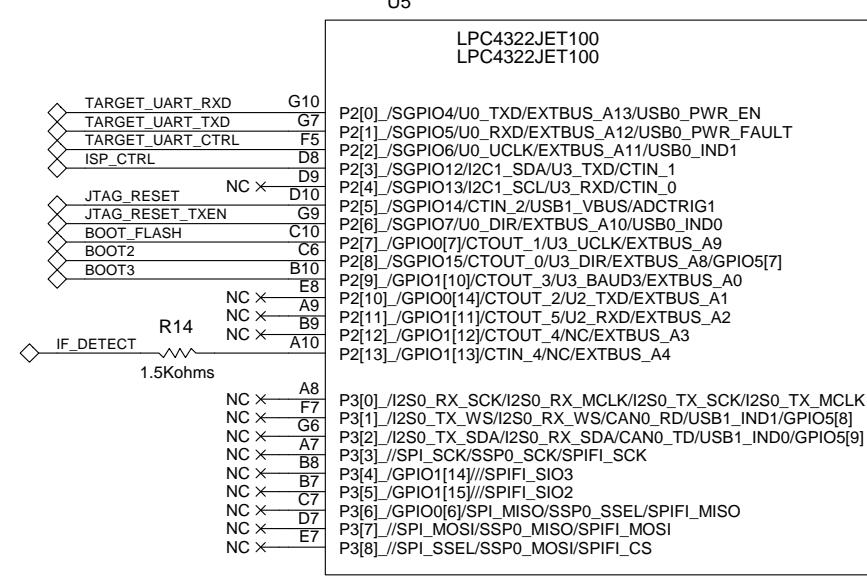
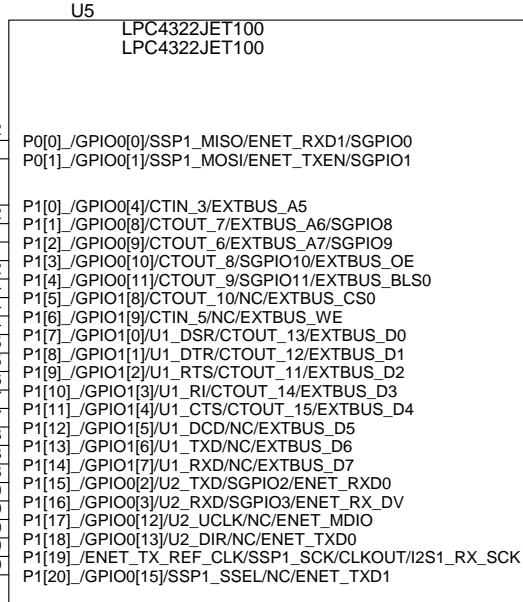


REVISIONS			
REV	DESCRIPTION	DATE	APPROVED
B	- Change Y1 crystal to 12.5pF load - Change Y1 load caps to 18pF - Add new SWD/JTAG I/F crct; sht 2 - fix ISPO; Add ISP1 sw2; sht 3 - Add Target Reset sw4; sht 3 - change Port pin for C-SENSE-A, C-SENSE-B, C-SENSE-C, Tri-color LED (sht 3/4).	11/30/2013	
B1	- Add note to ISP Boot table (sht 3).	01/09/2014	
B2	- correct joystick name labels (sht 3,4).	03/03/2014	
B3	- change net name for PIO1_0 (sht 3,4).	05/22/2014	



CONTRACT NO.		LINK LPC4322	
APPROVALS	DATE	<b>NXP Semiconductors</b> 411 E. Plumeria Dr San Jose, CA 95134 www.standardics.nxp.com/microcontrollers/	
DRAWN	d.consiglio		
CHECKED			
ISSUED	05/22/14	SIZE	D
		FWSCM NO.	
		DWG. NO.	Xpresso-LPC1549
		REV	B3
		SCALE	SHEET 1 OF 04

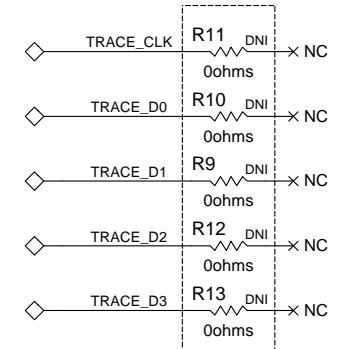
REVISIONS			
REV	DESCRIPTION	DATE	APPROVED



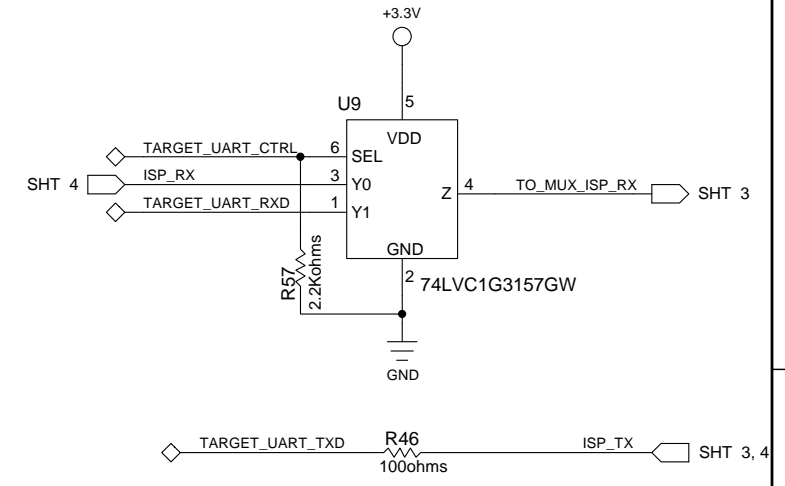
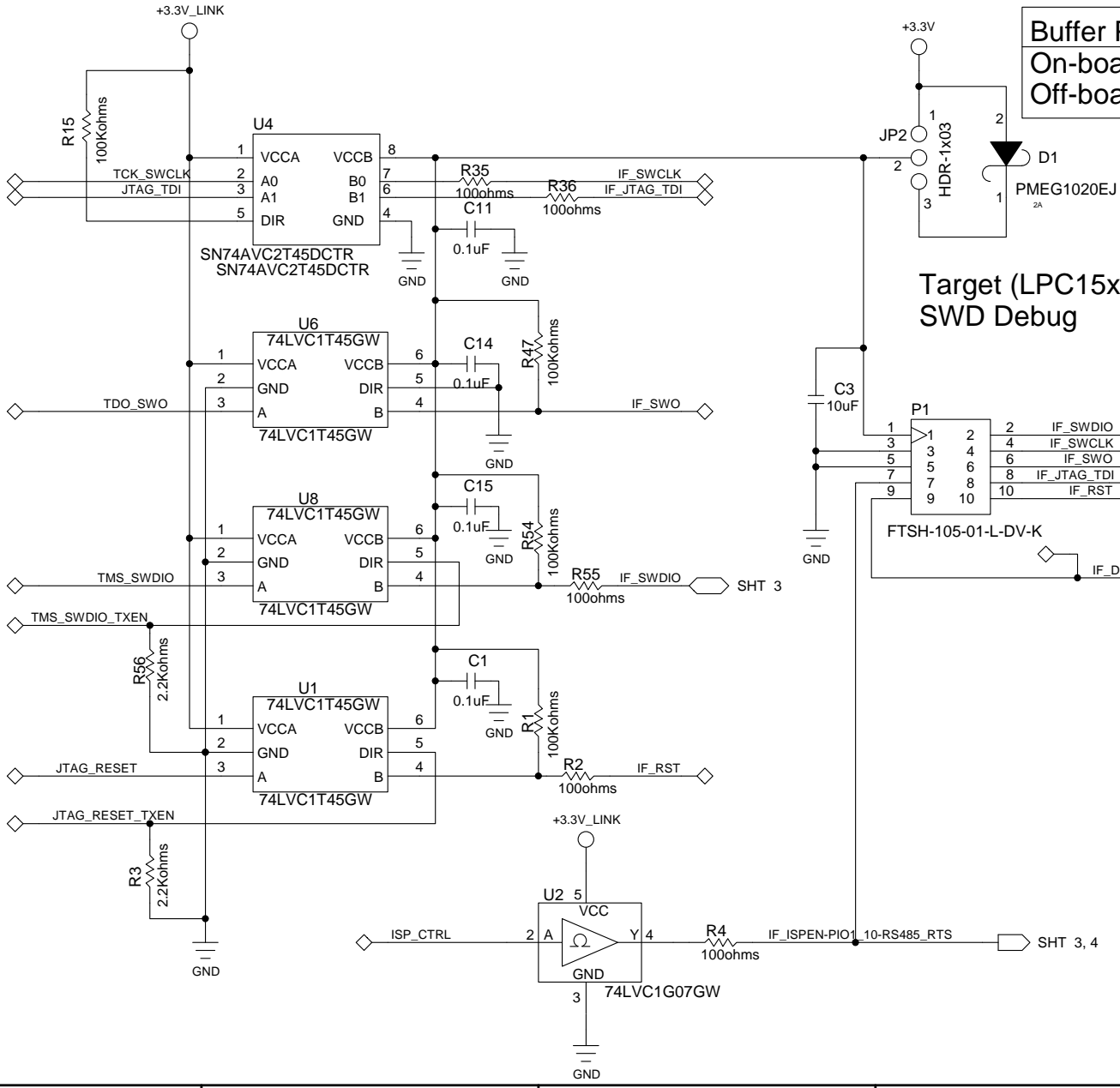
**Buffer Pwr Select (JP2)**  
On-board Target 1 - 2 (default)  
Off-board Target 2 - 3

**Target (LPC15xx) SWD Debug**

**Target to debug location (JP1)**  
On-board Target - open (default)  
Off-board Target - short

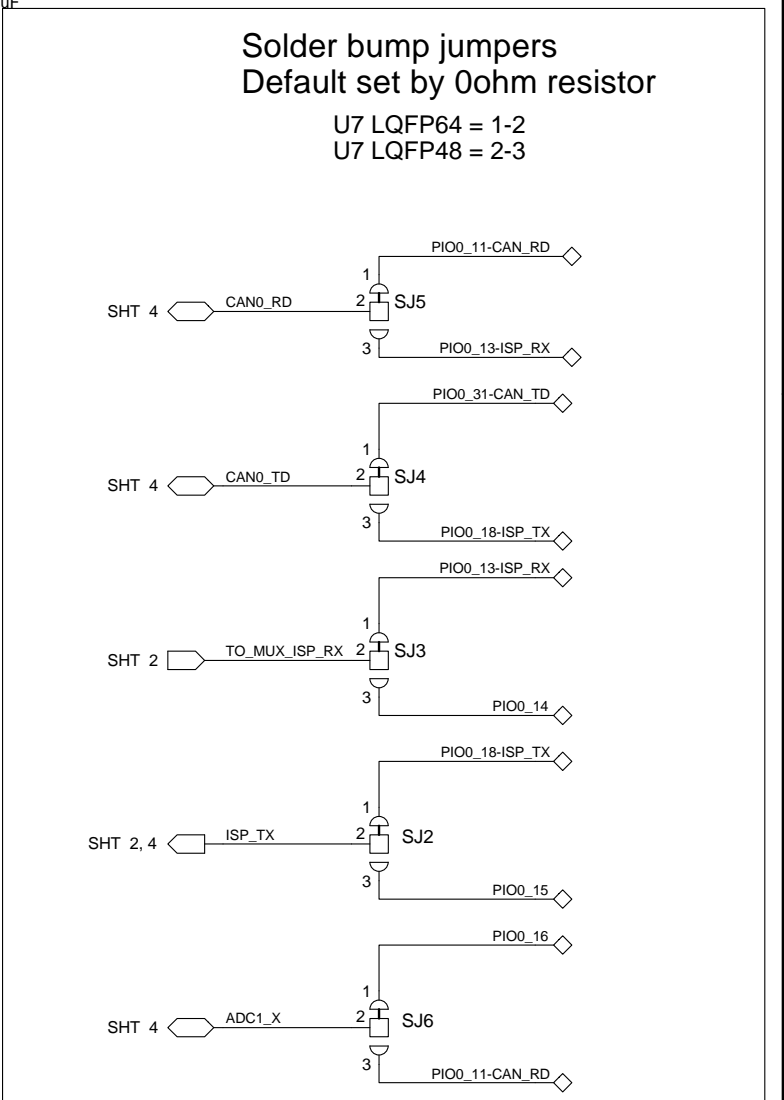
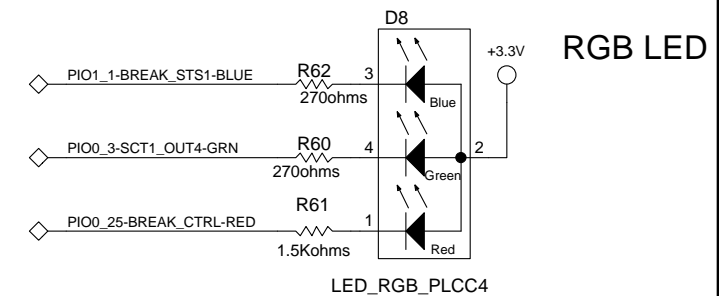
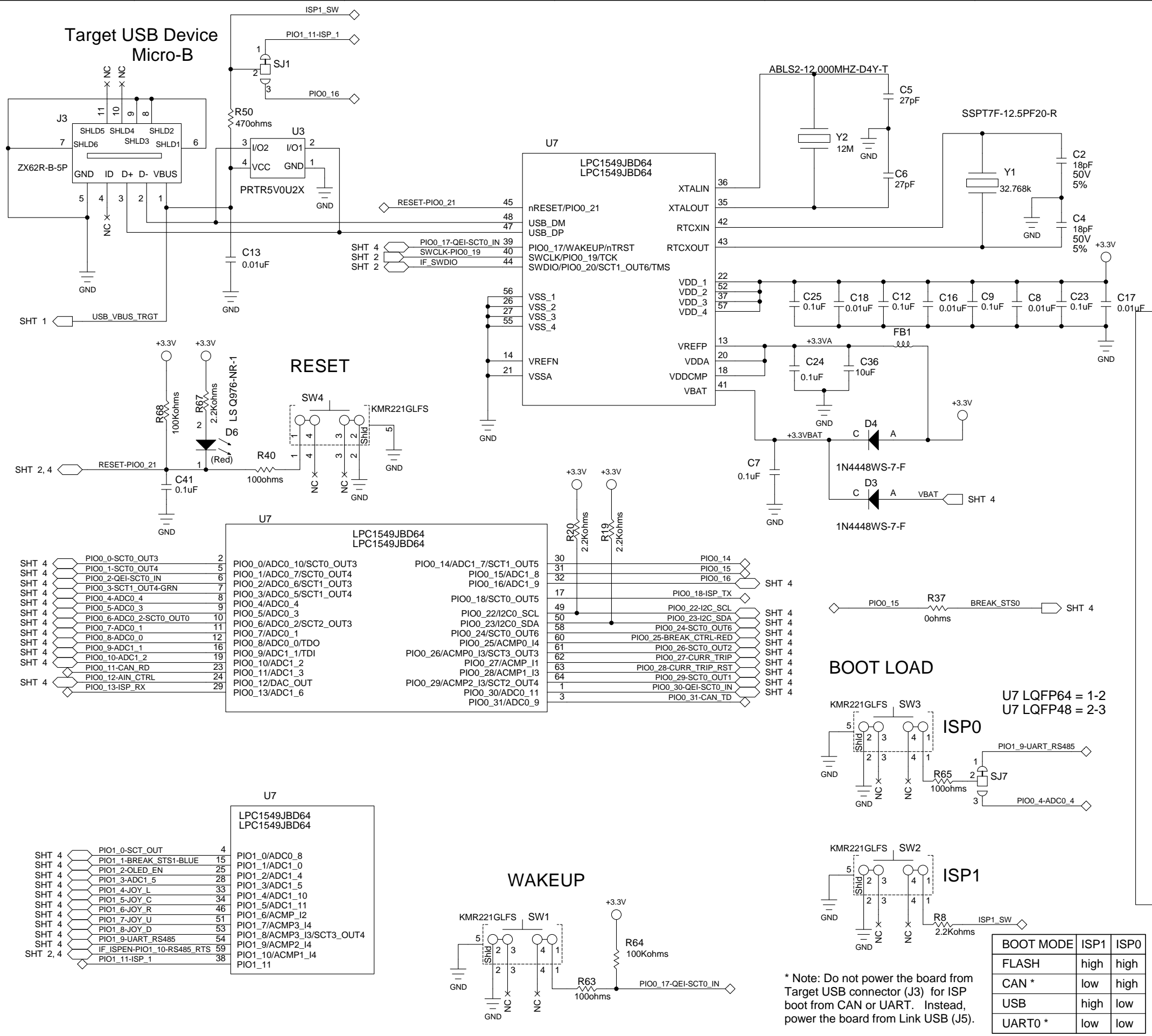


LPC1549 Target does not have trace.



CONTRACT NO.		LINK LPC4322	
APPROVALS	DATE	NXP Semiconductors	
DRAWN d.consiglio	5/22/2014	411 E. Plumeria Dr San Jose, CA 95134 www.standardics.nxp.com/microcontrollers/	
CHECKED		SIZE D	FSCM NO.
ISSUED	05/22/14	DWG. NO. Xpresso-LPC1549	REV. B3
		SCALE	SHEET 2 OF 04

REVISIONS			
REV	DESCRIPTION	DATE	APPROVED



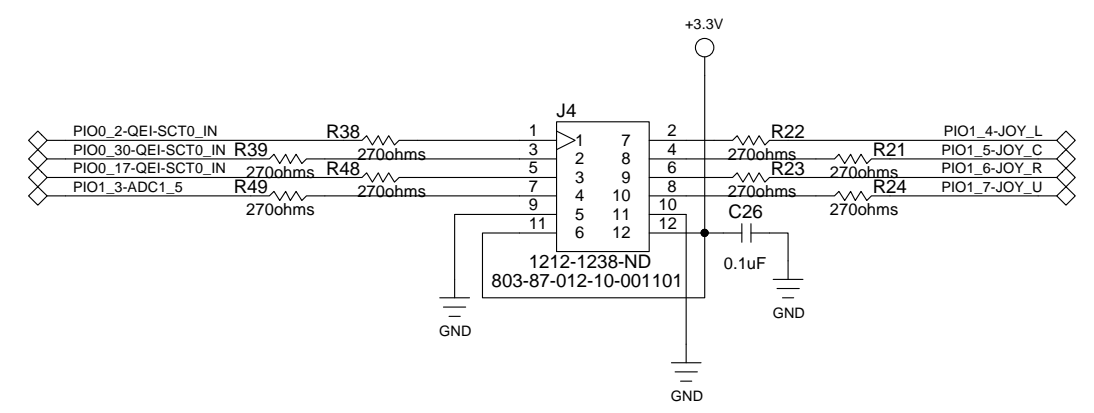
CONTRACT NO.		Target LPC1549	
APPROVALS	DATE	NXP Semiconductors	
DRAWN	d.consiglio 5/22/2014	411 E. Plumeria Dr	
CHECKED		San Jose, CA 95134	
ISSUED	05/22/14	www.standardics.nxp.com/microcontrollers/	
		SIZE	FSCM NO.
		DWG. NO.	Xpresso-LPC1549
		REV	B3
		SCALE	SHEET 3 OF 04

BOOT MODE	ISP1	ISP0
FLASH	high	high
CAN *	low	high
USB	high	low
UART0 *	low	low

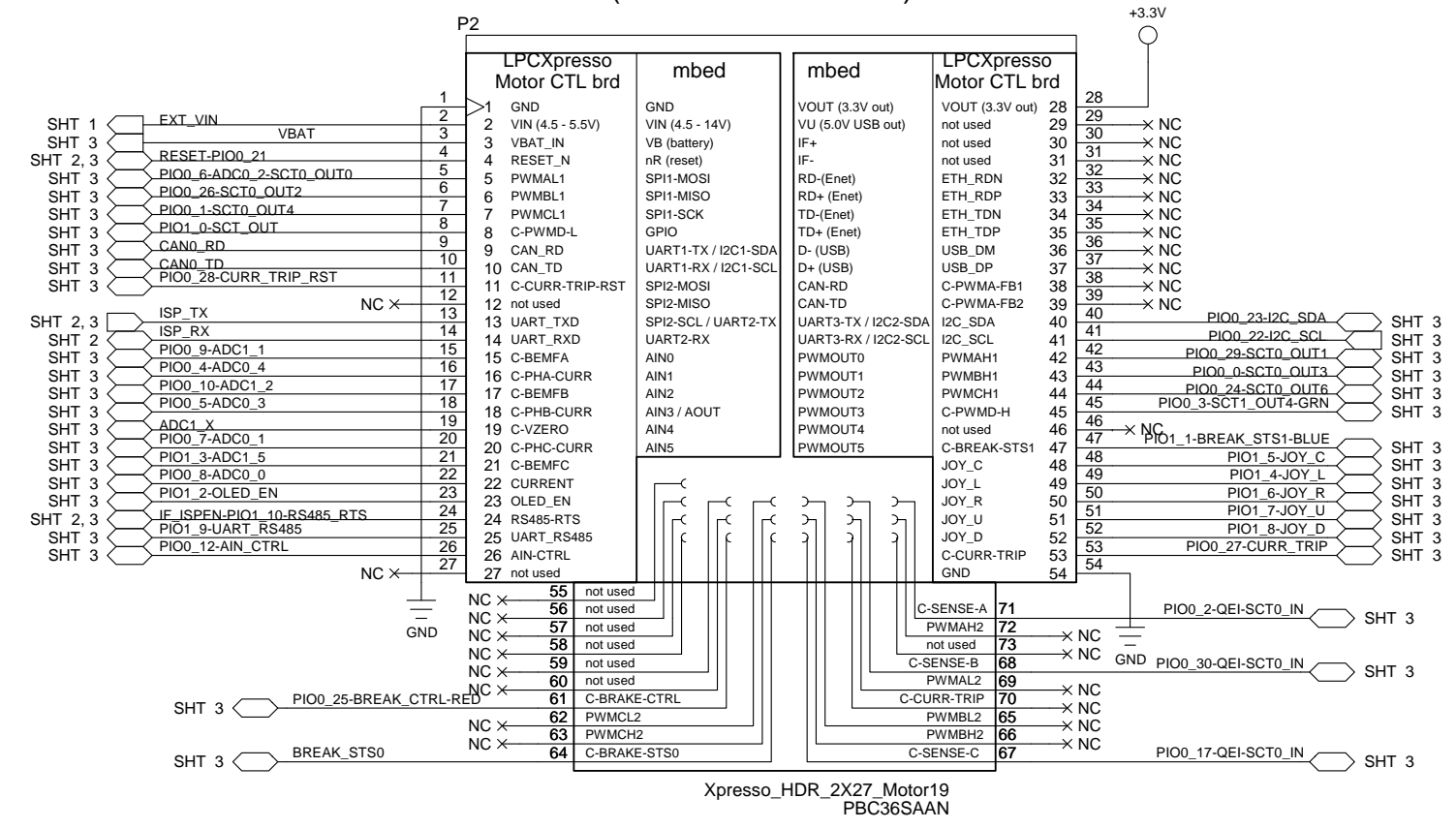
\* Note: Do not power the board from Target USB connector (J3) for ISP boot from CAN or UART. Instead, power the board from Link USB (J5).

REVISIONS			
REV	DESCRIPTION	DATE	APPROVED

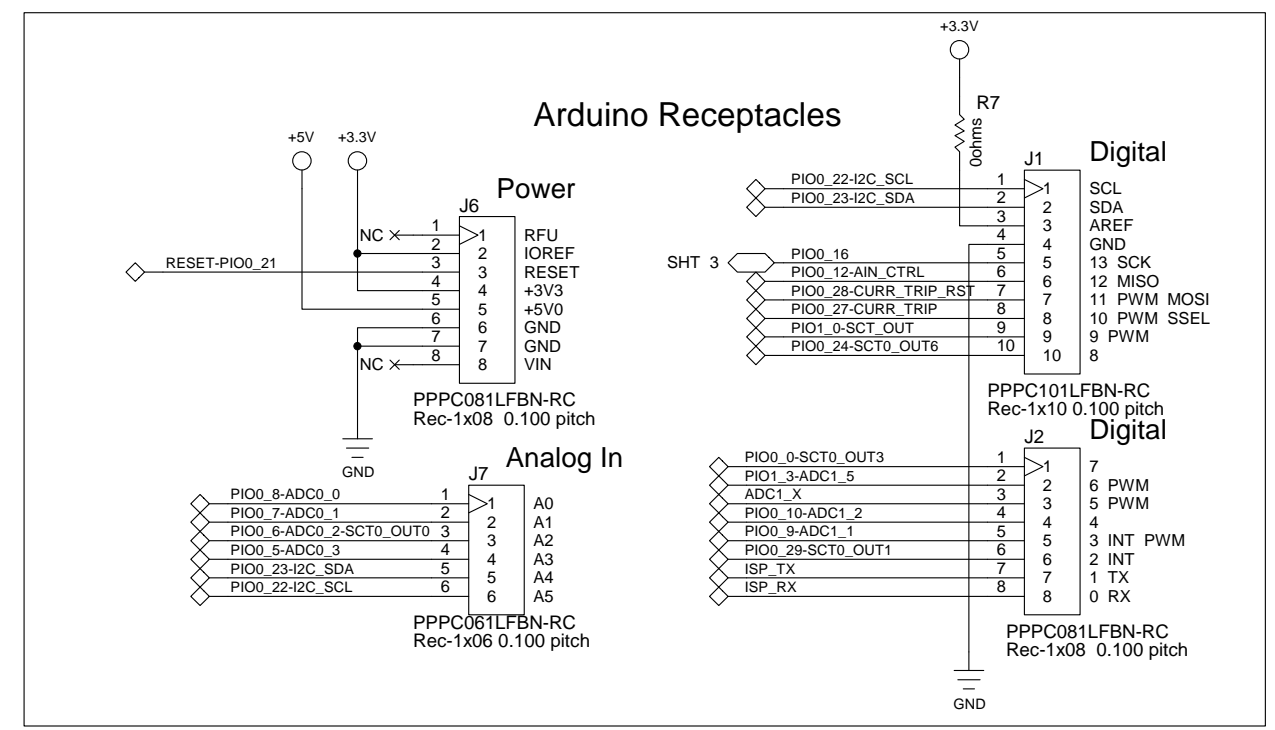
### PMOD compatible header



### LPCXpresso Motor Control brd header (Bottom side of PCB)



### Arduino Receptacles



CONTRACT NO.		Xpresso MC/Arduino/PMOD headers	
APPROVALS	DATE	<b>NXP Semiconductors</b> 411 E. Plumeria Dr San Jose, CA 95134 www.standardics.nxp.com/microcontrollers/	
DRAWN	d.consiglio		
CHECKED	05/22/14	SIZE	D
ISSUED	05/22/14	DWG. NO.	Xpresso-LPC1549
SCALE		REV	B3
		SHEET 4 OF 04	