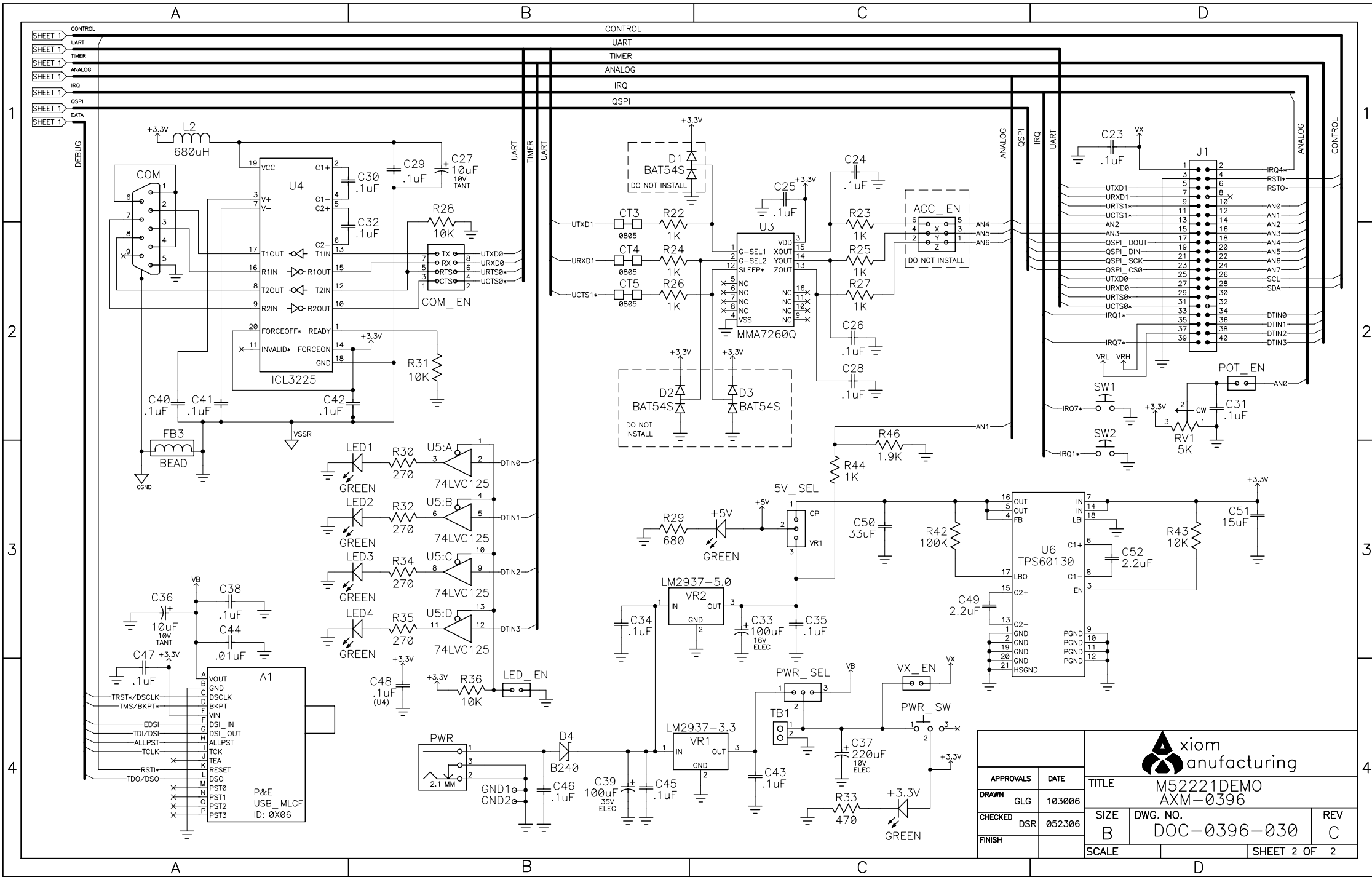


APPROVALS		DATE	TITLE		 M52221DEMO AXM-0396	
DRAWN	GLG	103006	SIZE	DWG. NO.		
CHECKED	DSR	052306	B	DOC-0396-030		REV C
FINISH			SCALE	SHEET 1 OF 2		



APPROVALS		DATE					
							TITLE
DRAWN		GLG		103006		M52221 DEMO AXM-0396	
CHECKED		DSR		052306		SIZE	
FINISH						DWG. NO.	
						B	
						DOC-0396-030	
						REV	
						C	
						SCALE	
						SHEET 2 OF 2	