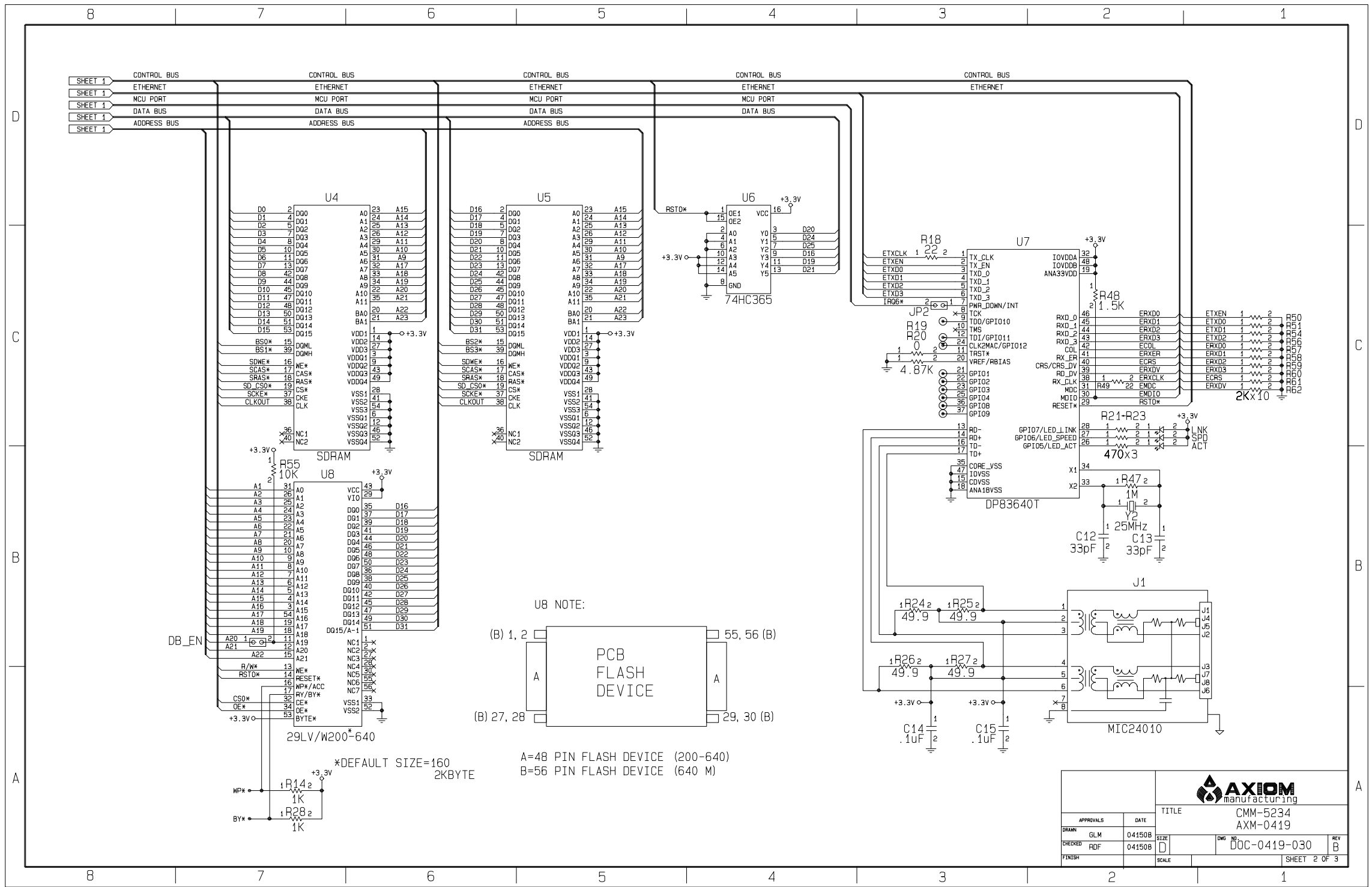


APPROVALS		DATE		TITLE	
DRWN	GLM	041508		CMM-5234	
CHKD	ADF	041508		AXM-0419	
FINISH				DOC NO	DOC-0419-030
				REV	B
				SHEET	1 OF 3



U8 NOTE:  
 (B) 1, 2      55, 56 (B)  
 (B) 27, 28      29, 30 (B)

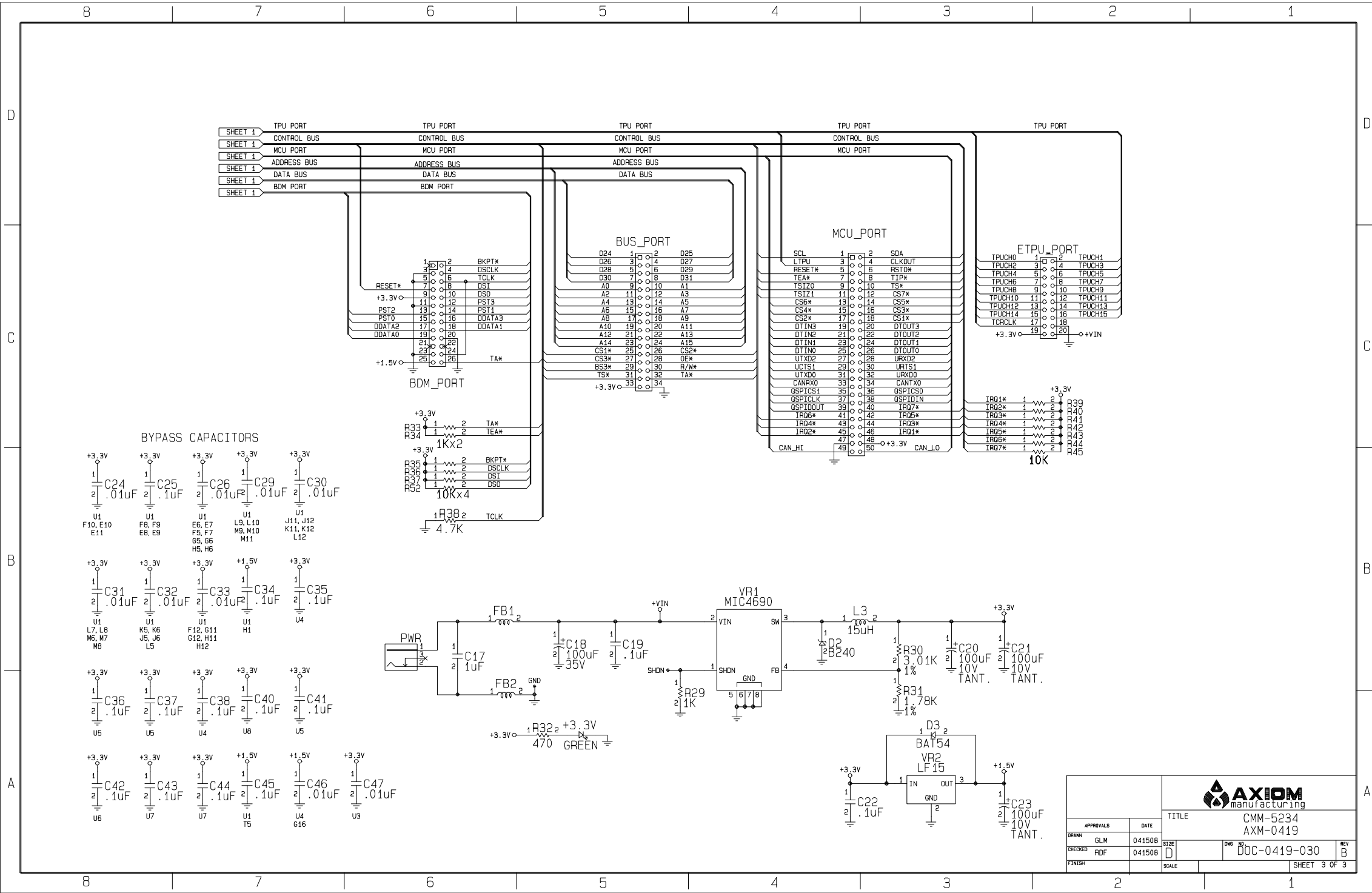
PCB FLASH DEVICE

A=48 PIN FLASH DEVICE (200-640)  
 B=56 PIN FLASH DEVICE (640 M)

\*DEFAULT SIZE=160  
 2KBYTE

APPROVALS		DATE		TITLE	
DRAWN	GLM	041508		CMM-5234	
CHECKED	ADF	041508		AXM-0419	
FINISH				DWG NO	DOC-0419-030
				SCALE	
					REV B
					SHEET 2 OF 3





APPROVALS		DATE		TITLE		
		GLM	041508			CMM-5234 AXM-0419
DRAWN	GLM	CHECKED	ADF	SIZE	D	
FINISH		SCALE		DWG NO	DOC-0419-030	
					REV	B
					SHEET	3 OF 3