

6

5

4

3

2

1

REVISION RECORD			
LTR	ECO NO:	APPROVED:	DATE:

D

D

C

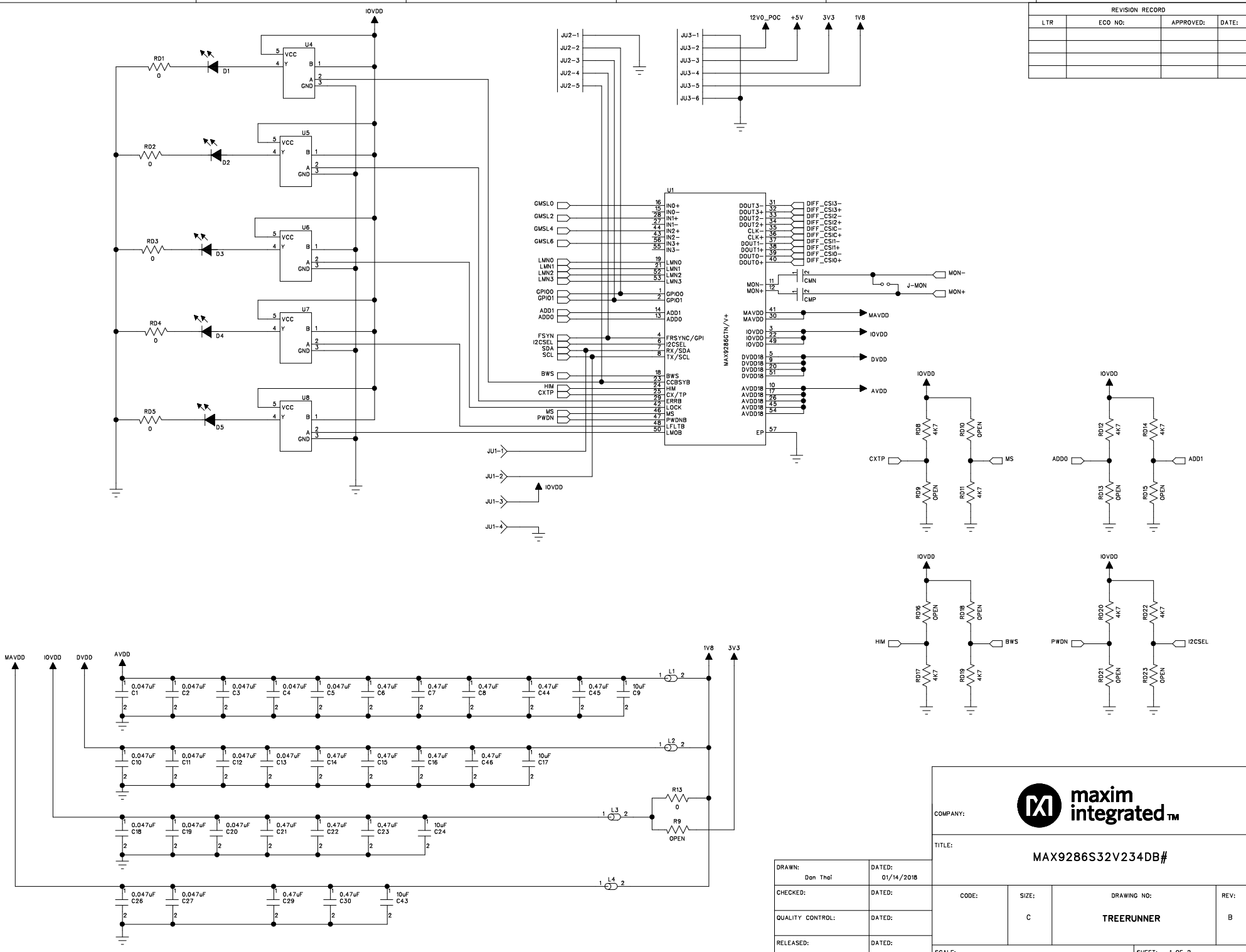
C


B

B

A

A





maxim integrated™

COMPANY: **maxim integrated™**

TITLE: **MAX9286S32V234DB#**

DRAWN: Dan Thai	DATED: 01/14/2018	CODE:	SIZE: C	DRAWING NO: TREERUNNER	REV: B
CHECKED:	DATED:	SCALE:	SHEET: 1 OF 2		
QUALITY CONTROL:	DATED:				
RELEASED:	DATED:				

REVISION RECORD			
LTR	ECO NO:	APPROVED:	DATE:

D

C

B

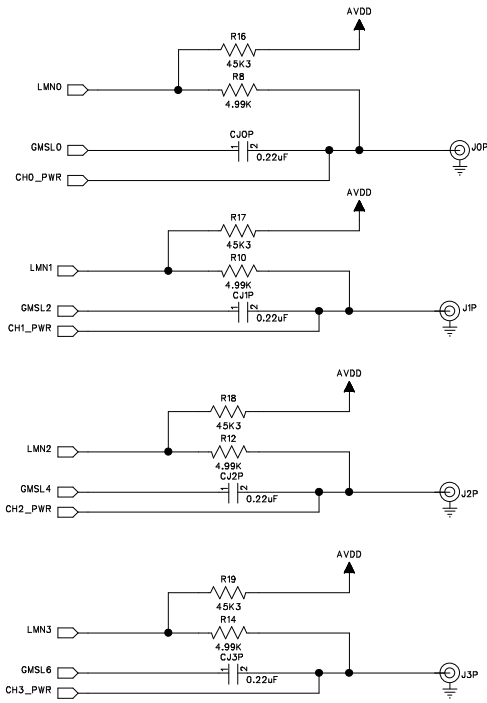
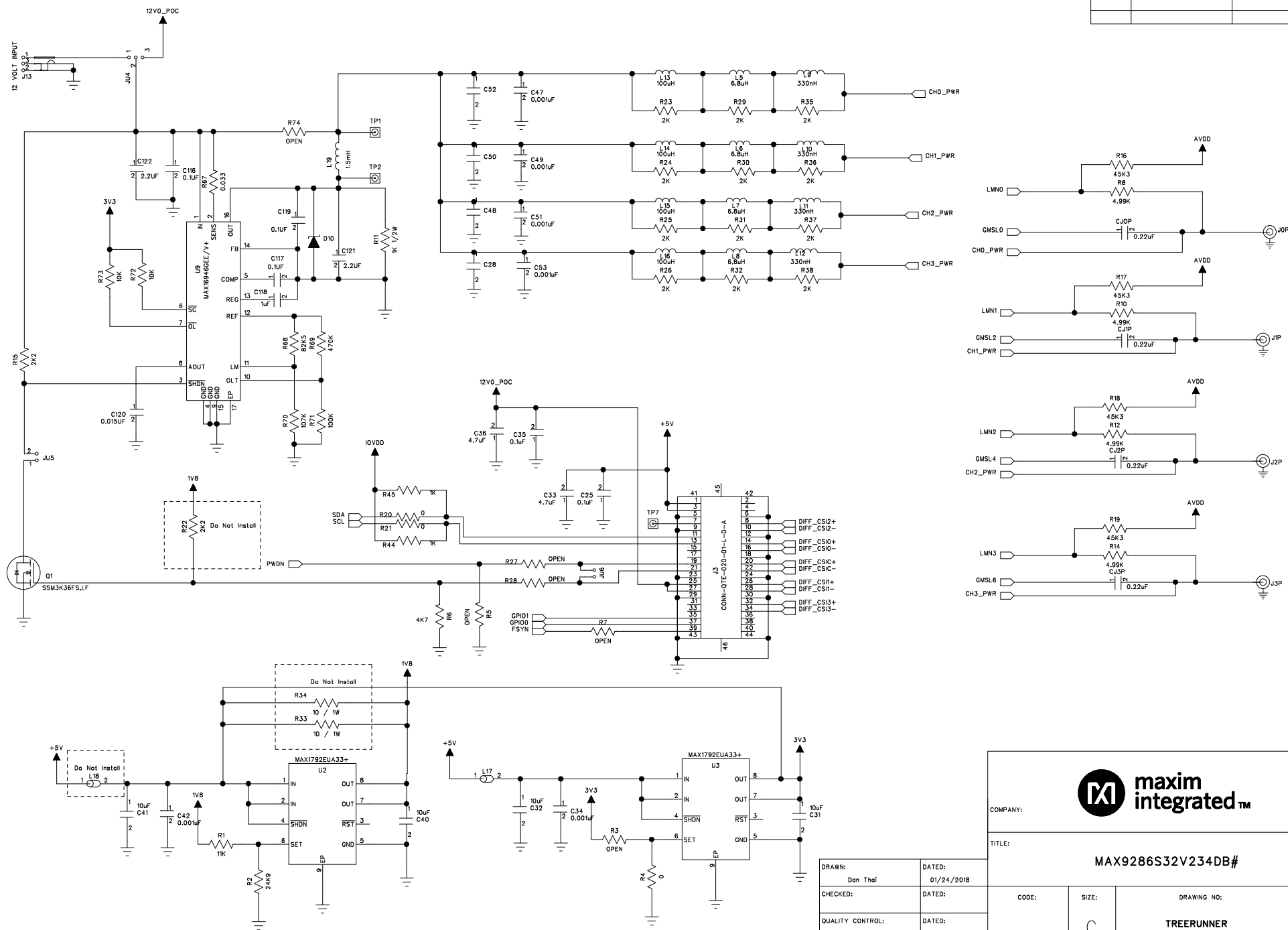
A

D

C

B

A



COMPANY: **maxim integrated™**

TITLE: **MAX9286S32V234DB#**

DRAWN: Dan Thal	DATED: 01/24/2018	CODE: C	SIZE: TREERUNNER	REV: B
CHECKED:	DATED:	SCALE:	SHEET: 2 OF 2	
QUALITY CONTROL:	DATED:			
RELEASED:	DATED:			