

**MCD Applications**  
 Colvilles Road, Kelvin Industrial Estate  
 East Kilbride, G75 0TG  
 TEL: +4413555355000

Title		Generic FRDC (MFR4200/MFR4300)	
Size	Document Number	N/A	
	Date:	Monday, November 14, 2005	Designer: David Paterson
		Sheet	1 of 5
		Rev.	C

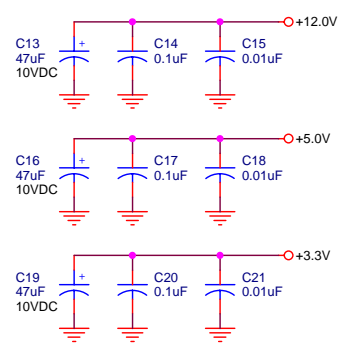
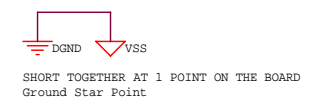
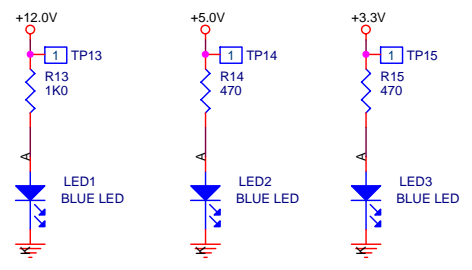
AMI/S12 Mode Select

MFR4200	MFR4300
IF_SEL1	IF_SEL1
IF_SEL0	IF_SEL0
CHICKL_EN	CHICKL_EN

CC CLOCK OUTPUT SELECT

MFR4200	MFR4300
CLK_S0	CLK_S0
CLK_S1	CLK_S1

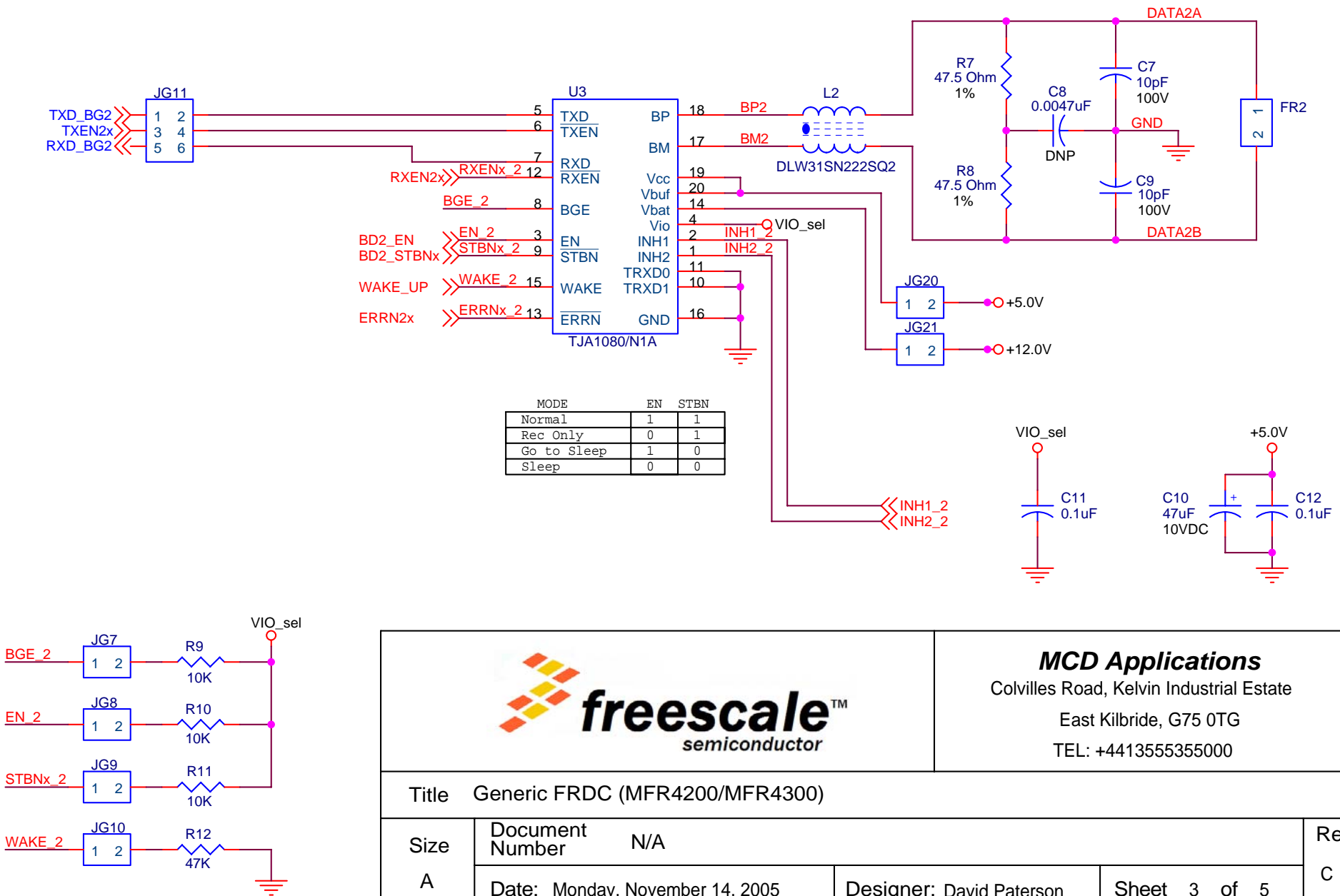
CLK_S0	CLK_S1	Function
0	0	4.0MHz
1	0	10.0MHz
0	1	40.0MHz
1	1	Disabled



		<b>MCD Applications</b> Colvilles Road, Kelvin Industrial Estate East Kilbride, G75 0TG TEL: +4413555355000		
		Title Generic FRDC (MFR4200/MFR4300)		
Size	Document Number	N/A		Rev.
B	Date: Monday, November 14, 2005	Designer: David Paterson	Sheet 2 of 5	C



FLEXRAY INNER STAR BUS #2



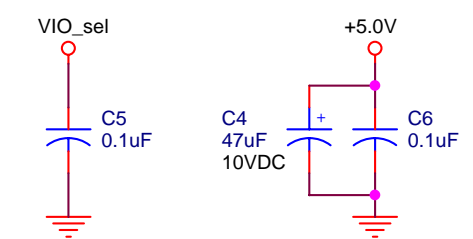
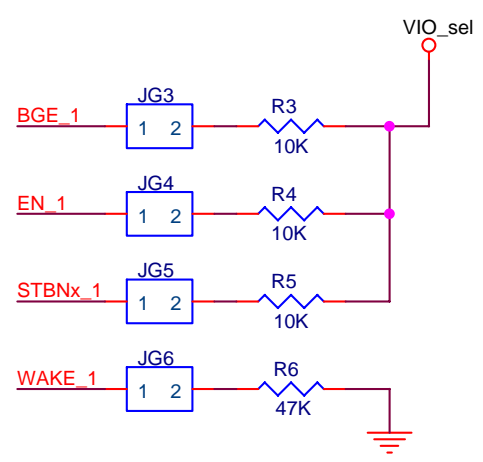
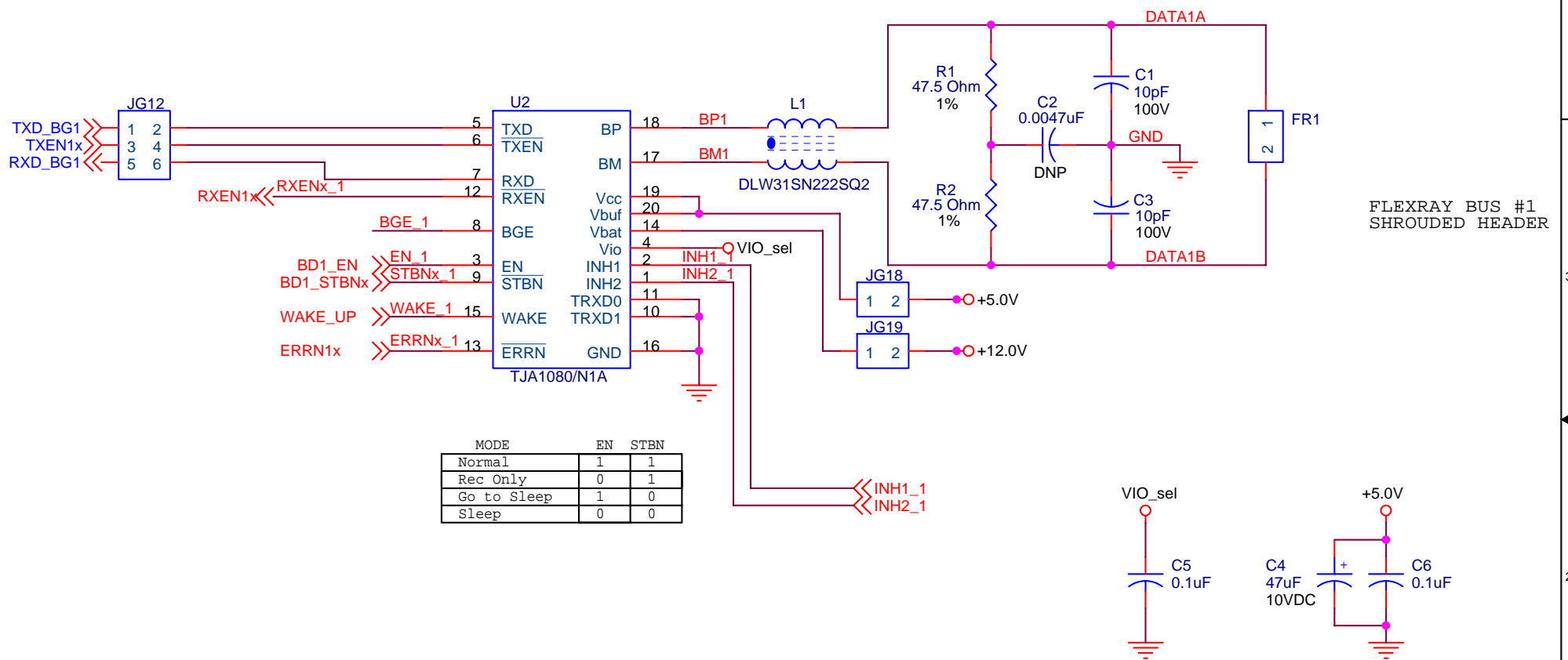
**MCD Applications**  
 Colvilles Road, Kelvin Industrial Estate  
 East Kilbride, G75 0TG  
 TEL: +4413555355000

Title Generic FRDC (MFR4200/MFR4300)

Size A	Document Number	N/A		Rev. C
	Date: Monday, November 14, 2005	Designer: David Paterson	Sheet 3 of 5	



FLEXRAY INNER STAR BUS #1



**MCD Applications**  
 Colvilles Road, Kelvin Industrial Estate  
 East Kilbride, G75 0TG  
 TEL: +4413555355000

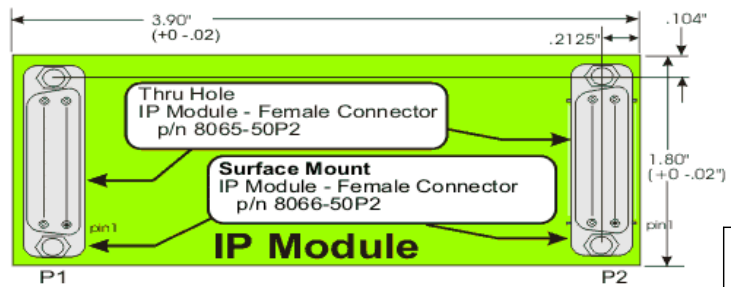
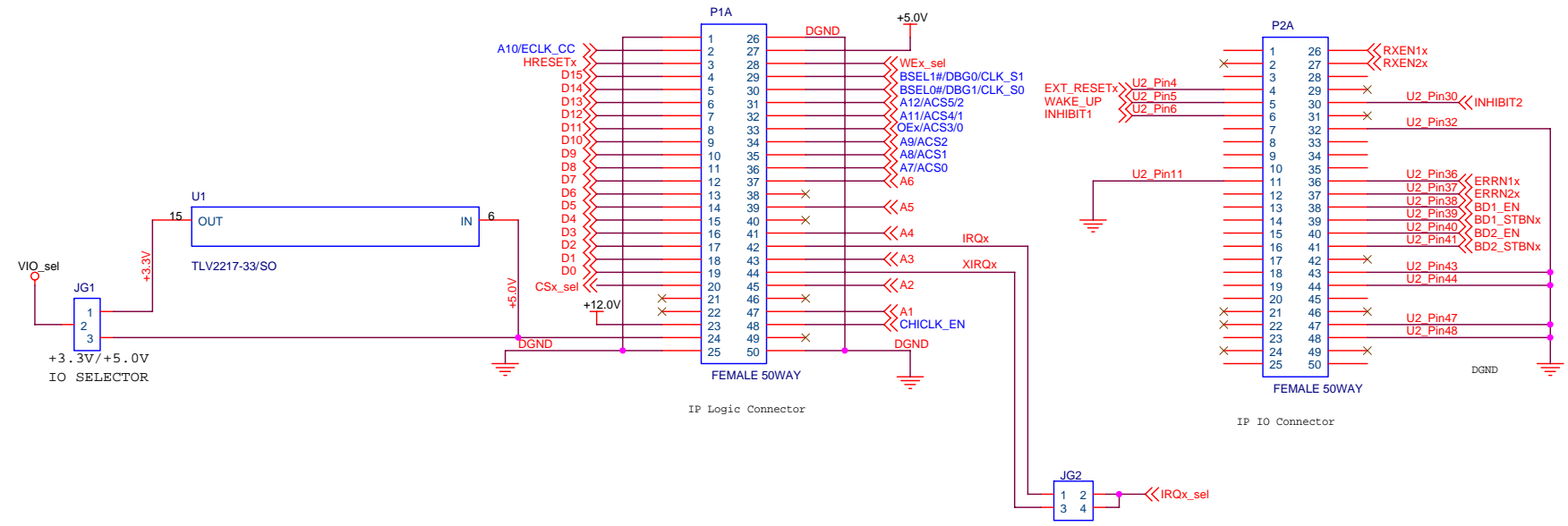
Title Generic FRDC (MFR4200/MFR4300)

Size A	Document Number	N/A		Rev. C
	Date:	Monday, November 14, 2005	Designer: David Paterson	

Note: A signal name followed by the 'x' character indicates an inverse logic signal

P1A IS LABELLED P1 ON THE PCB

P1B IS LABELLED P2 ON THE PCB



Please place components on topside of board so that they can be seen.

		<b>MCD Applications</b> Colvilles Road, Kelvin Industrial Estate East Kilbride, G75 0TG TEL: +4413555355000			
		Title Generic FRDC (MFR4200/MFR4300)			
Size B	Document Number N/A	Date: Monday, November 14, 2005	Designer: David Paterson	Sheet 5 of 5	Rev. C
	Date: Monday, November 14, 2005				