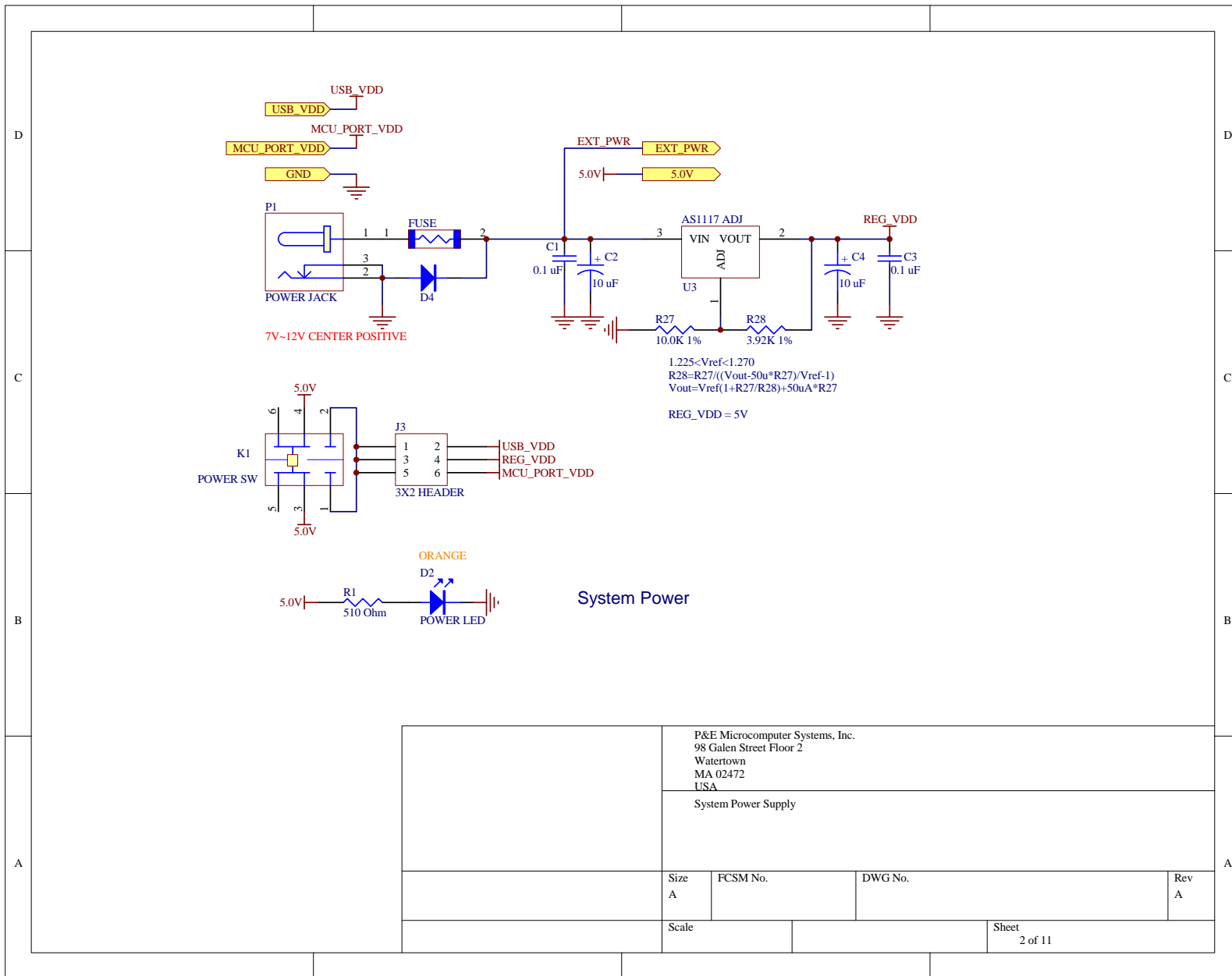


Evenly Distribute 2 Capacitor Pairs on Each Side of BGA

PEI Microcomputer Systems, Inc. 58 Galen Street Floor 2 Watertown MA 02472 USA			
MPC5510EM0 Schematic - MCU and Symbol Sheet			
Size A1	FCSM No.	DWG No.	Rev A
Scale		Sheet 1 of 11	

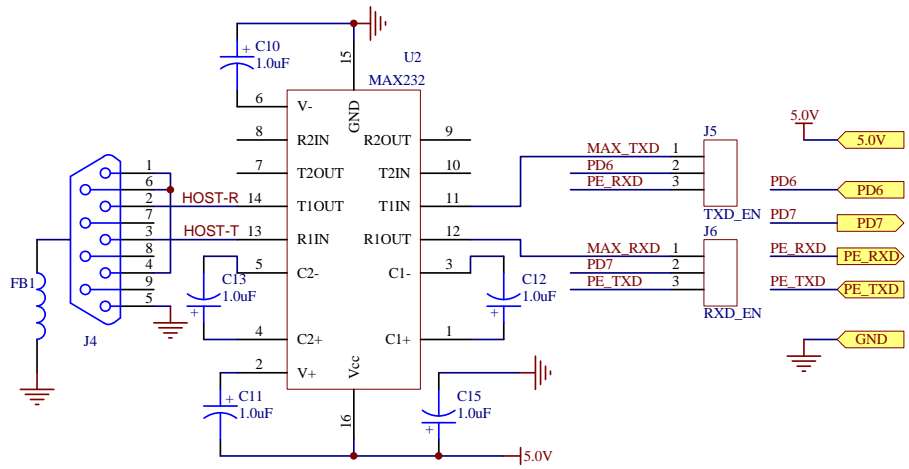


P&E Microcomputer Systems, Inc.
 98 Galen Street Floor 2
 Watertown
 MA 02472
 USA

System Power Supply

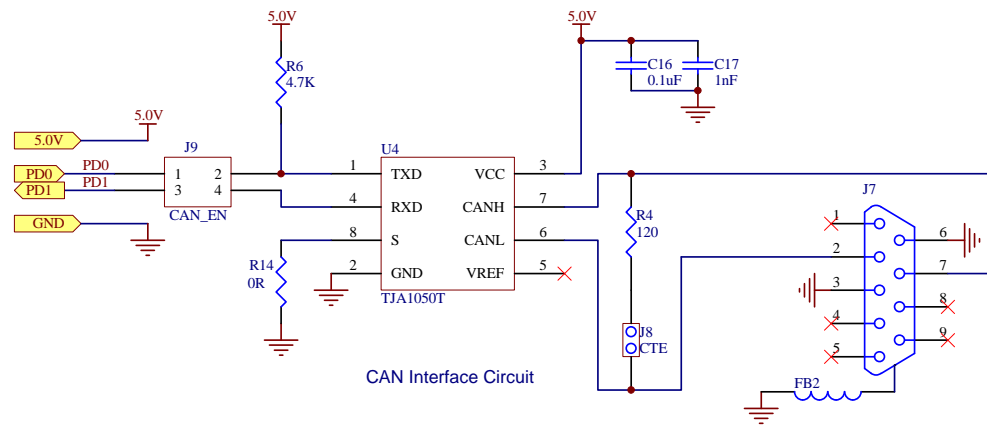
Size A	FCSM No.	DWG No.	Rev A
-----------	----------	---------	----------

Scale	Sheet 2 of 11
-------	------------------

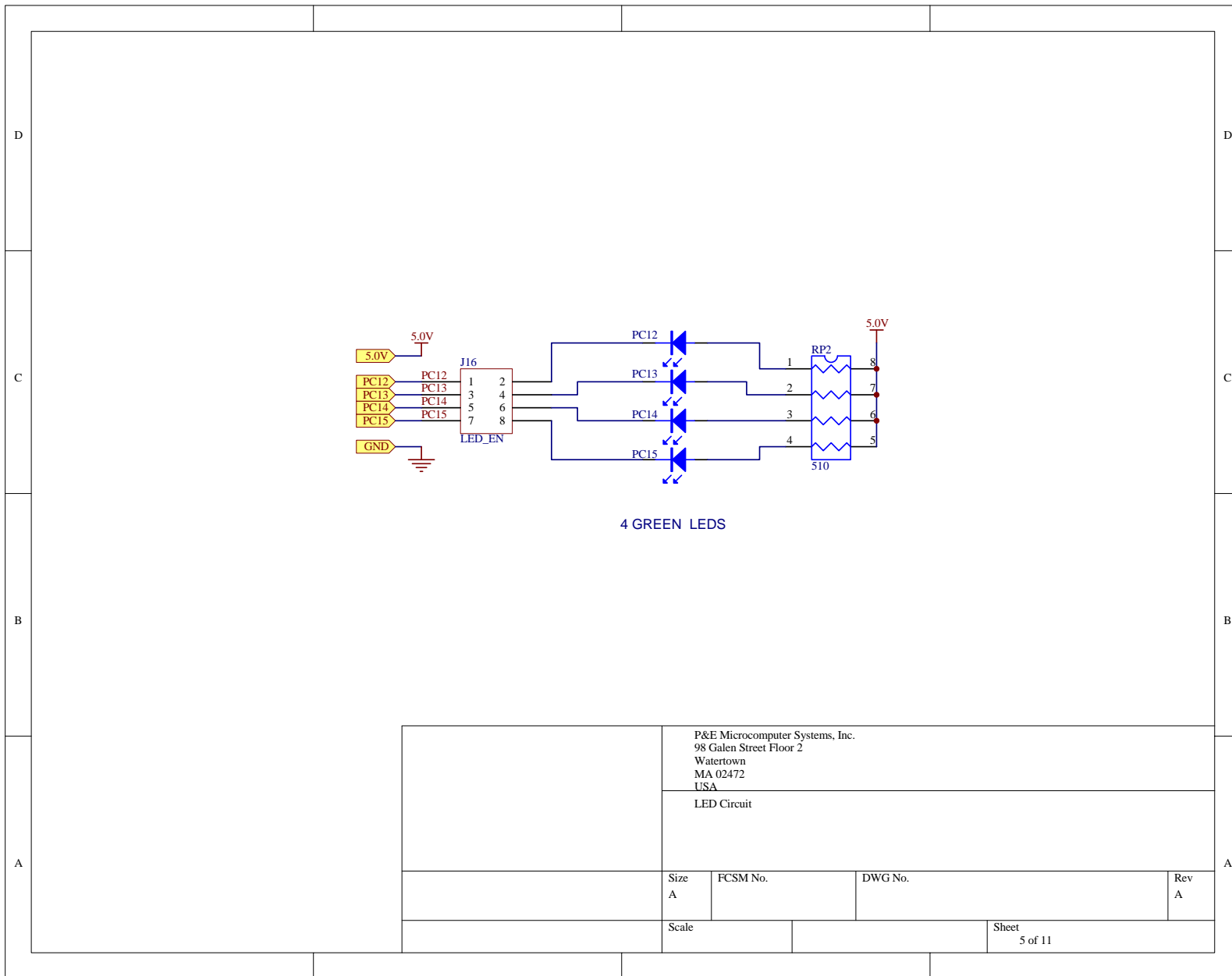


eSCI

P&E Microcomputer Systems, Inc. 98 Galen Street Floor 2 Watertown MA 02472 USA			
Size A	FCSM No.	DWG No.	Rev A
Scale	Sheet 3 of 11		



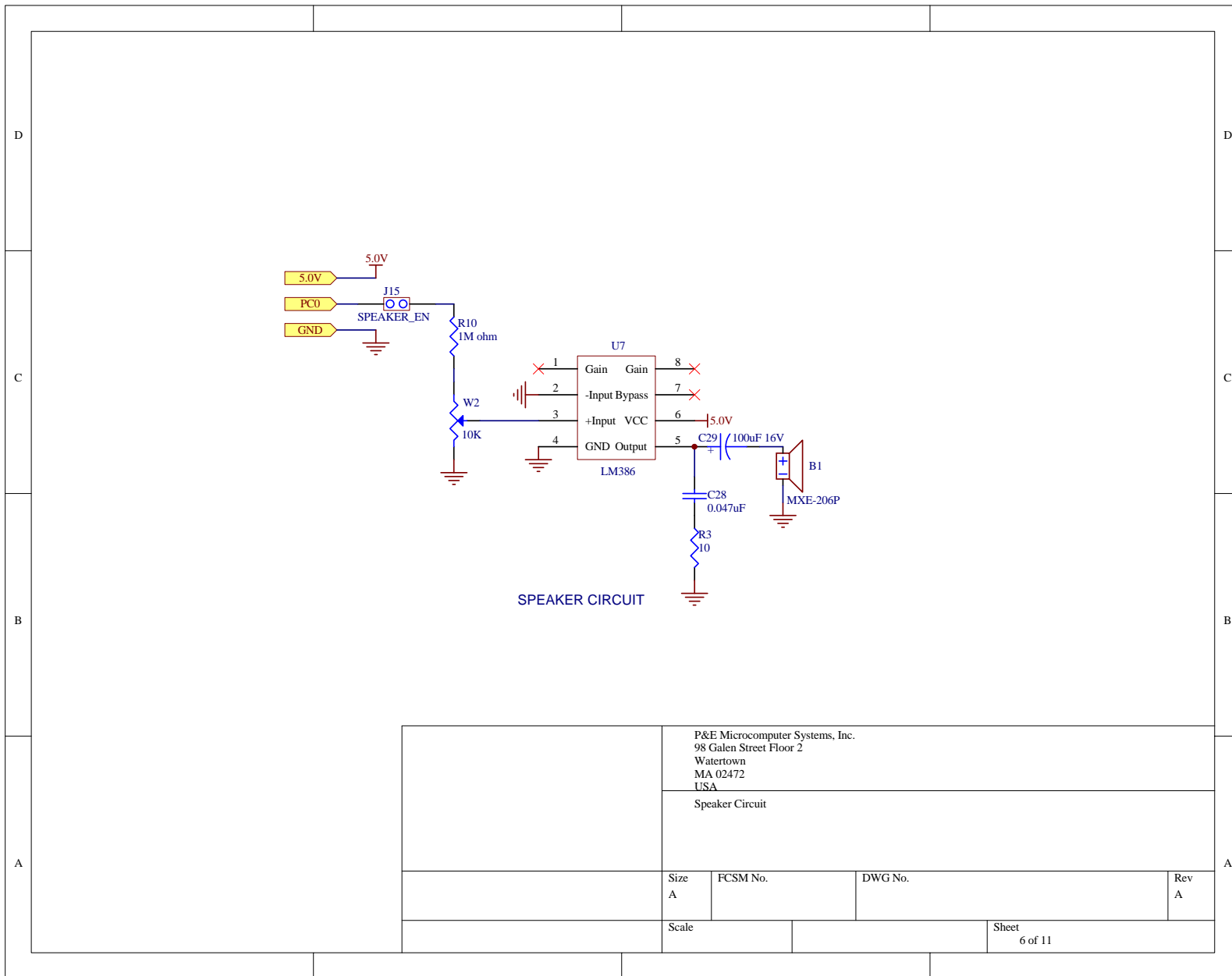
P&E Microcomputer Systems, Inc. 98 Galen Street Floor 2 Watertown MA 02472 USA			
CAN Interface			
Size A	FCSM No.	DWG No.	Rev A
Scale		Sheet 4 of 11	



P&E Microcomputer Systems, Inc.
 98 Galen Street Floor 2
 Watertown
 MA 02472
 USA

LED Circuit

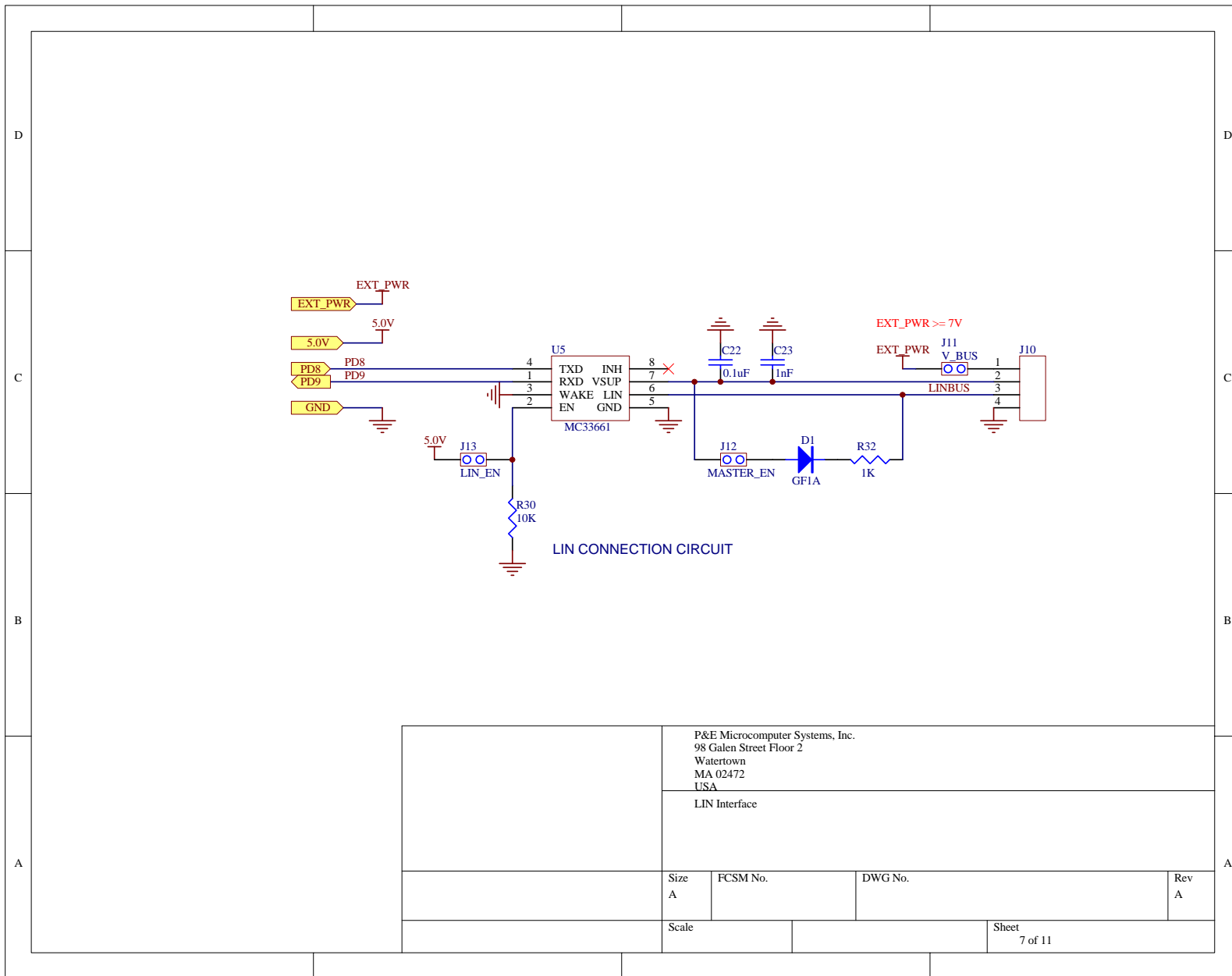
Size A	FCSM No.	DWG No.	Rev A
Scale	Sheet 5 of 11		



P&E Microcomputer Systems, Inc.
 98 Galen Street Floor 2
 Watertown
 MA 02472
 USA

Speaker Circuit

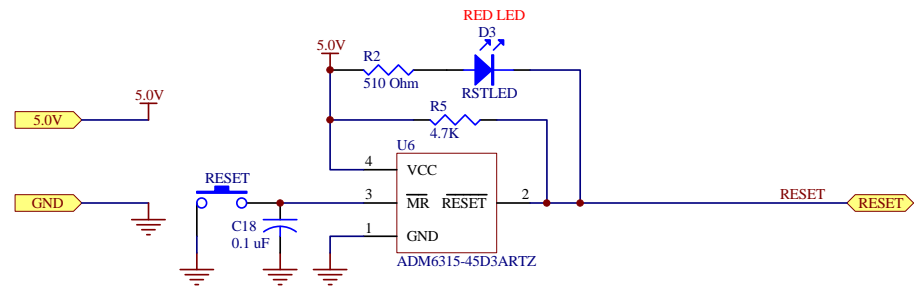
Size A	FCSM No.	DWG No.	Rev A
Scale	Sheet 6 of 11		



P&E Microcomputer Systems, Inc.
 98 Galen Street Floor 2
 Watertown
 MA 02472
 USA

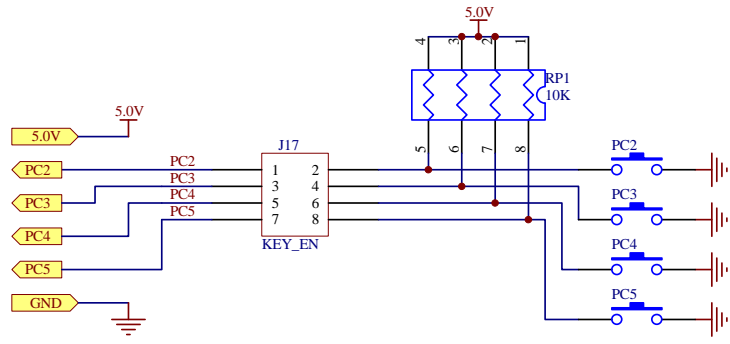
LIN Interface

Size A	FCSM No.	DWG No.	Rev A
Scale	Sheet 7 of 11		



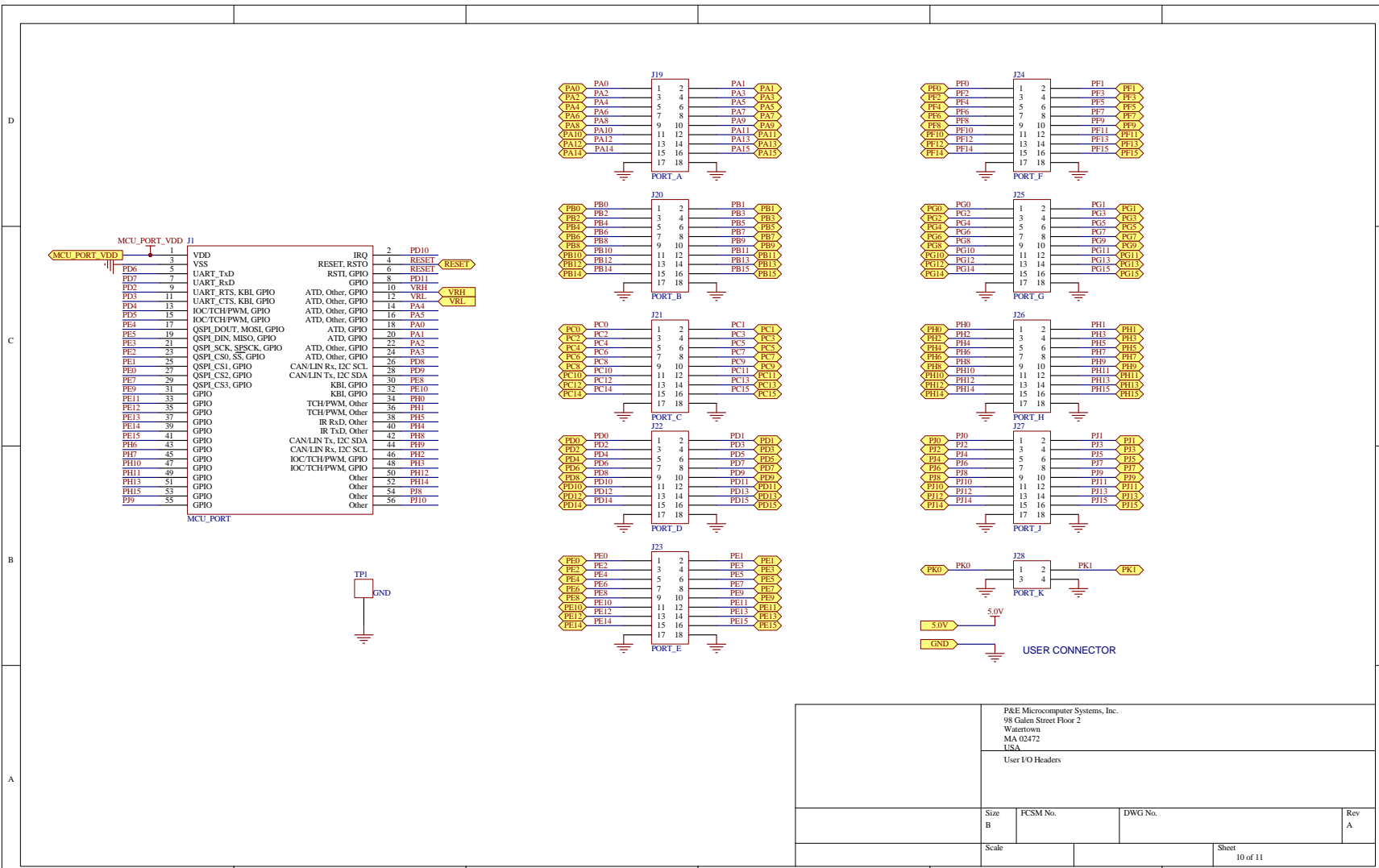
RESET CIRCUIT

				P&E Microcomputer Systems, Inc. 98 Galen Street Floor 2 Watertown MA 02472 USA			
				Reset Circuit			
Size	A	FCSM No.		DWG No.		Rev	A
Scale				Sheet	8 of 11		



4 INPUT SWITCHES

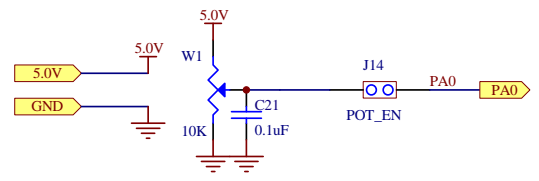
		P&E Microcomputer Systems, Inc. 98 Galen Street Floor 2 Watertown MA 02472 USA		
		Light Touch Switch Circuit		
Size A	FCSM No.	DWG No.	Rev A	
Scale			Sheet 9 of 11	



P&E Microcomputer Systems, Inc.
98 Galen Street Floor 2
Watertown,
MA 02472
USA

User I/O Headers

Size B	FCSM No.	DWG No.	Rev A
Scale		Sheet	10 of 11



ANALOG INPUT

		P&E Microcomputer Systems, Inc. 98 Galen Street Floor 2 Watertown MA 02472 USA	
		Analog Input Circuit	
Size A	FCSM No.	DWG No.	Rev A
Scale		Sheet 11 of 11	