

U1
MPC5553/4

NOTE1:
NOT INSTALLED
FOR REV. A
DEVICE

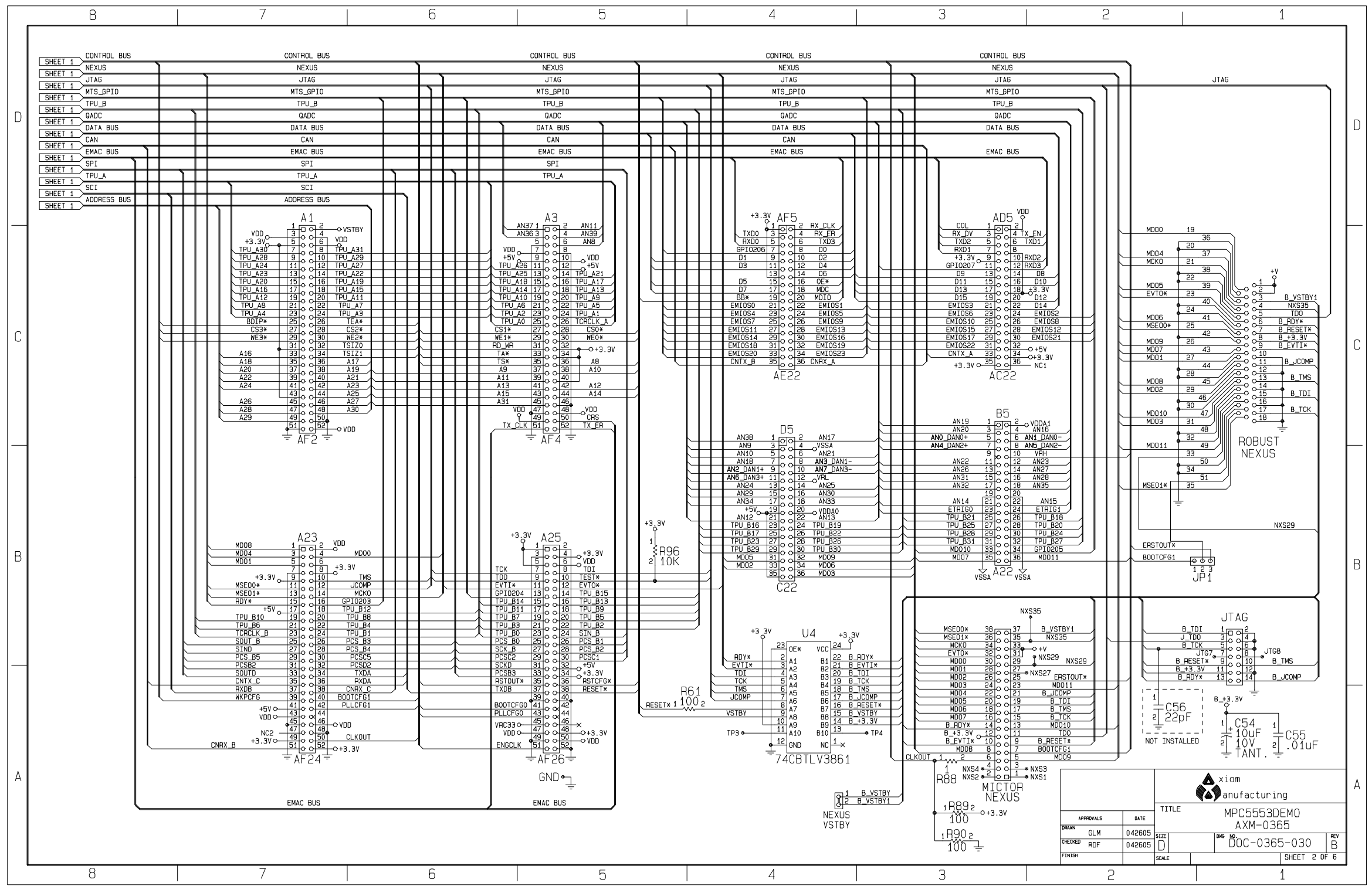
NOTE2:
MPC5553 SIGNAL
SHOWN

NOTE3:
MPC5554 SIGNAL
SHOWN

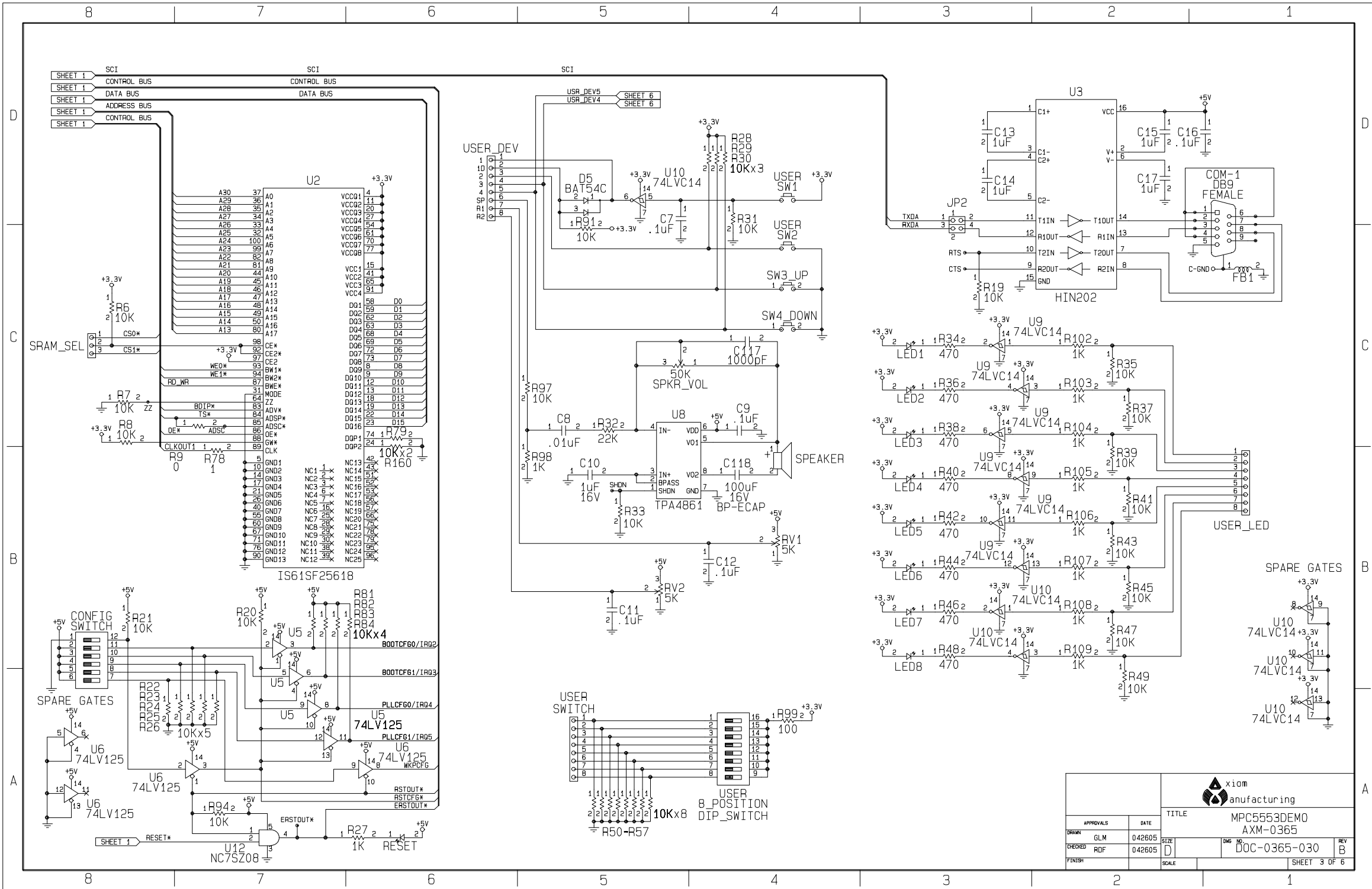
NOTE4:
SPI_A NOT
AVAILABLE ON
MPC5553

AB	V4	AG/GP104	TCRCLK_A/TP07/GP10143
A9	W1	A9/GP105	eTPU_A0/eTPU_A12/GP10114
A10	W2	A10/GP106	eTPU_A1/eTPU_A13/GP10115
A11	W3	A11/GP107	eTPU_A2/eTPU_A14/GP10116
A12	W4	A12/GP108	eTPU_A3/eTPU_A15/GP10117
A13	W5	A13/GP109	eTPU_A4/eTPU_A16/GP10118
A14	W6	A14/GP110	eTPU_A5/eTPU_A17/GP10119
A15	W7	A15/GP111	eTPU_A6/eTPU_A18/GP10120
A16	W8	A16/GP112	eTPU_A7/eTPU_A19/GP10121
A17	W9	A17/GP113	eTPU_A8/eTPU_A20/GP10122
A18	W10	A18/GP114	eTPU_A9/eTPU_A21/GP10123
A19	W11	A19/GP115	eTPU_A10/eTPU_A22/GP10124
A20	W12	A20/GP116	eTPU_A11/eTPU_A23/GP10125
A21	W13	A21/GP117	eTPU_A12/PCSB1/GP10126
A22	W14	A22/GP118	eTPU_A13/PCSB3/GP10127
A23	W15	A23/GP119	eTPU_A14/PCSB4/GP10128
A24	W16	A24/GP120	eTPU_A15/PCSB5/GP10129
A25	W17	A25/GP121	eTPU_A16/PCSD1/GP10130
A26	W18	A26/GP122	eTPU_A17/PCSD2/GP10131
A27	W19	A27/GP123	eTPU_A18/PCSD3/GP10132
A28	W20	A28/GP124	eTPU_A19/PCSD4/GP10133
A29	W21	A29/GP125	eTPU_A20/TR08/GP10134
A30	W22	A30/GP126	eTPU_A21/TR09/GP10135
A31	W23	A31/GP127	eTPU_A22/TR10/GP10136
A32	W24	A32/GP128	eTPU_A23/TR11/GP10137
A33	W25	A33/GP129	eTPU_A24/TR12/GP10138
A34	W26	A34/GP130	eTPU_A25/TR13/GP10139
A35	W27	A35/GP131	eTPU_A26/TR14/GP10140
A36	W28	A36/GP132	eTPU_A27/TR15/GP10141
A37	W29	A37/GP133	eTPU_A28/PCSC1/GP10142
A38	W30	A38/GP134	eTPU_A29/PCSC2/GP10143
A39	W31	A39/GP135	eTPU_A30/PCSC3/GP10144
A40	W32	A40/GP136	eTPU_A31/PCSC4/GP10145
A41	W33	A41/GP137	TCRCLK_B/TR06/GP10146
A42	W34	A42/GP138	eTPU_B0/eTPU_B16/GP10147
A43	W35	A43/GP139	eTPU_B1/eTPU_B17/GP10148
A44	W36	A44/GP140	eTPU_B2/eTPU_B18/GP10149
A45	W37	A45/GP141	eTPU_B3/eTPU_B19/GP10150
A46	W38	A46/GP142	eTPU_B4/eTPU_B20/GP10151
A47	W39	A47/GP143	eTPU_B5/eTPU_B21/GP10152
A48	W40	A48/GP144	eTPU_B6/eTPU_B22/GP10153
A49	W41	A49/GP145	eTPU_B7/eTPU_B23/GP10154
A50	W42	A50/GP146	eTPU_B8/eTPU_B24/GP10155
A51	W43	A51/GP147	eTPU_B9/eTPU_B25/GP10156
A52	W44	A52/GP148	eTPU_B10/eTPU_B26/GP10157
A53	W45	A53/GP149	eTPU_B11/eTPU_B27/GP10158
A54	W46	A54/GP150	eTPU_B12/eTPU_B28/GP10159
A55	W47	A55/GP151	eTPU_B13/eTPU_B29/GP10160
A56	W48	A56/GP152	eTPU_B14/eTPU_B30/GP10161
A57	W49	A57/GP153	eTPU_B15/eTPU_B31/GP10162
A58	W50	A58/GP154	eTPU_B16/PCSA1/GP10163
A59	W51	A59/GP155	eTPU_B17/PCSA2/GP10164
A60	W52	A60/GP156	eTPU_B18/PCSA3/GP10165
A61	W53	A61/GP157	eTPU_B19/PCSA4/GP10166
A62	W54	A62/GP158	eTPU_B20/GP10167
A63	W55	A63/GP159	eTPU_B21/GP10168
A64	W56	A64/GP160	eTPU_B22/GP10169
A65	W57	A65/GP161	eTPU_B23/GP10170
A66	W58	A66/GP162	eTPU_B24/GP10171
A67	W59	A67/GP163	eTPU_B25/GP10172
A68	W60	A68/GP164	eTPU_B26/GP10173
A69	W61	A69/GP165	eTPU_B27/GP10174
A70	W62	A70/GP166	eTPU_B28/GP10175
A71	W63	A71/GP167	eTPU_B29/GP10176
A72	W64	A72/GP168	eTPU_B30/GP10177
A73	W65	A73/GP169	eTPU_B31/GP10178

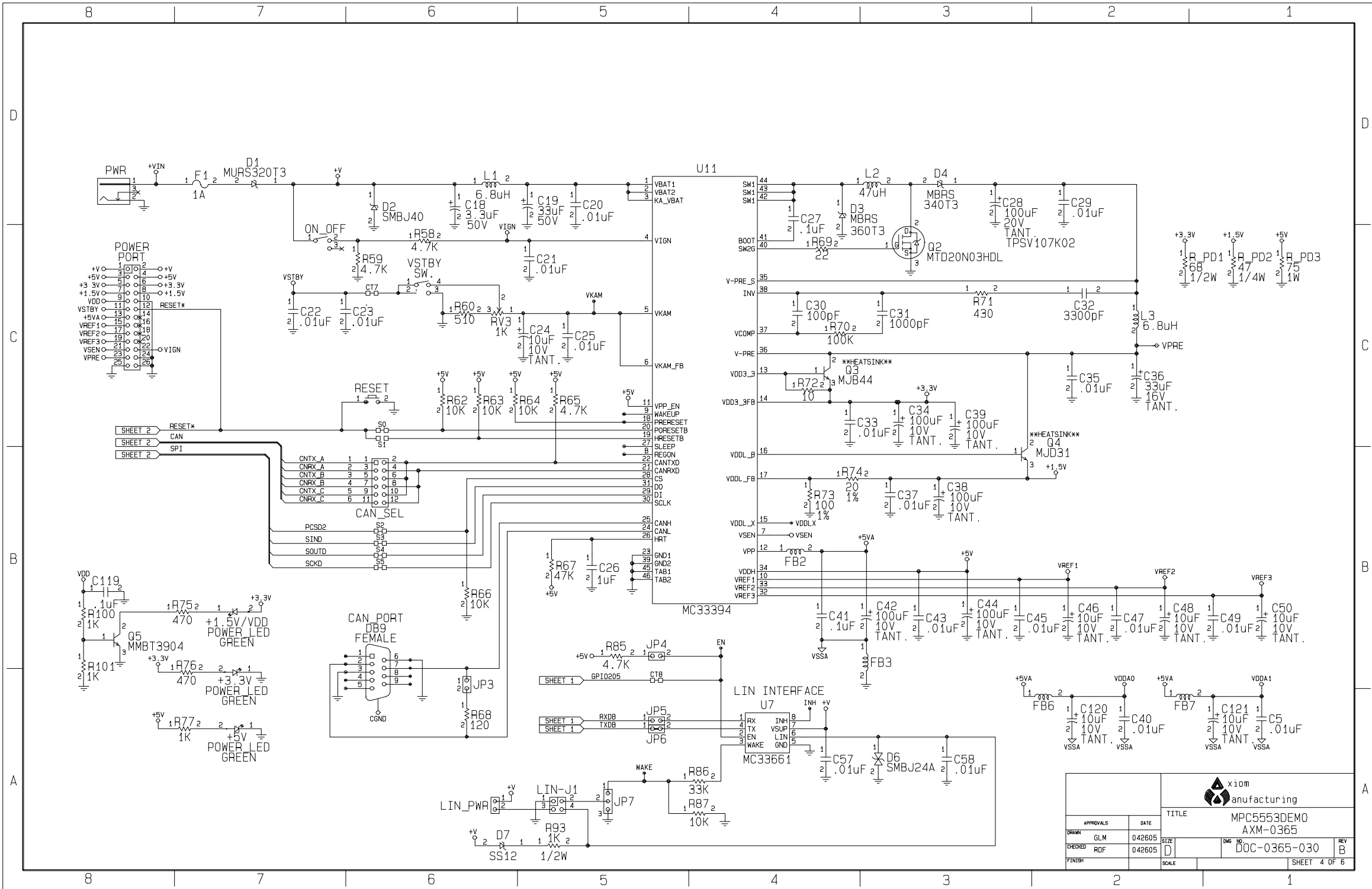
APPROVALS		DATE	TITLE	
DRAWN	GLM	042605	MPC5553DEMO	
CHECKED	RDF	042605	AXM-0365	
FINISH			DWG NO.	DOC-0365-030
SCALE			REV	B
			SHEET 1 OF 6	



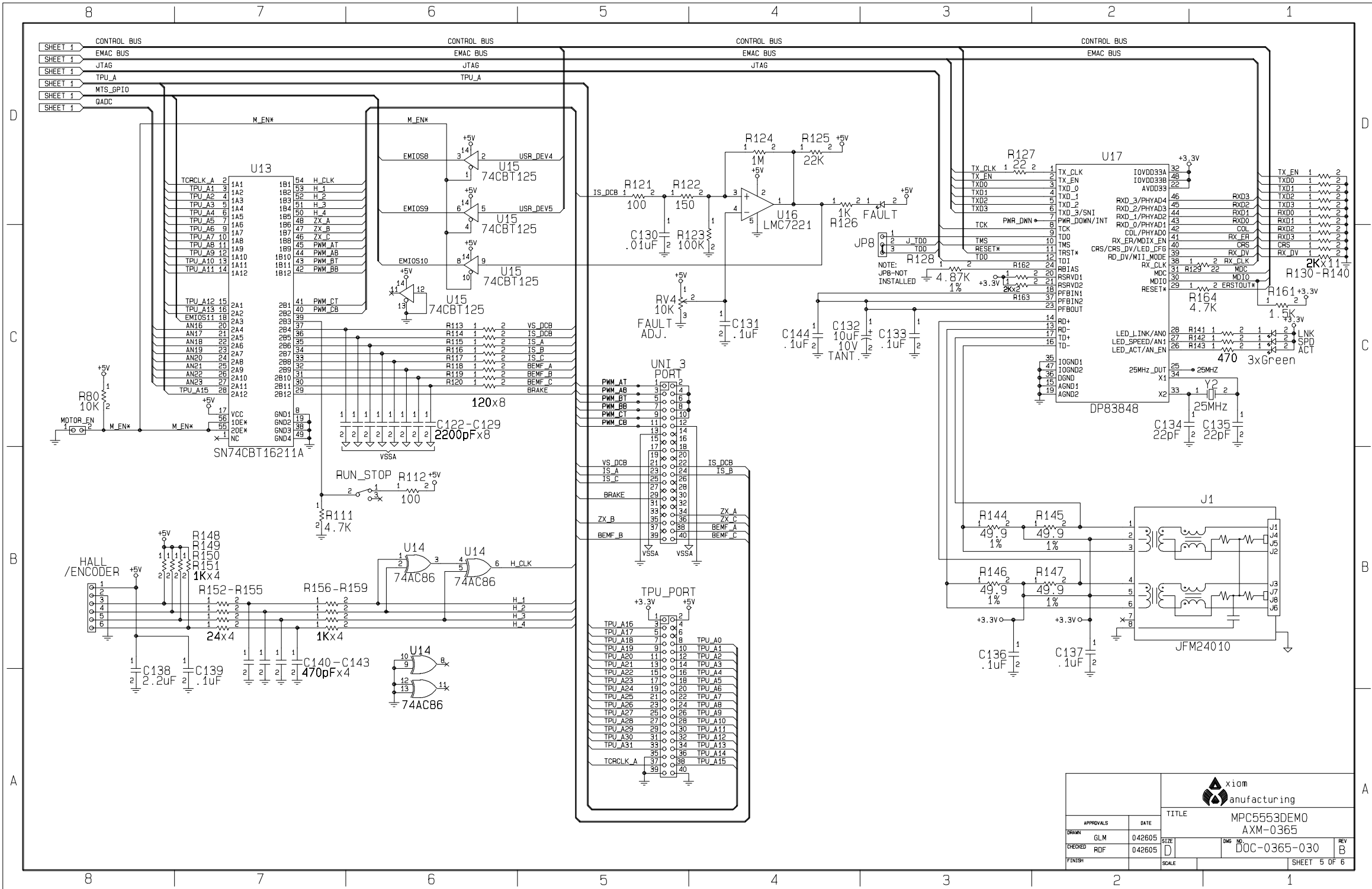
APPROVALS		DATE		TITLE	
DRAWN	GLM	042605		MPC5553DEMO AXM-0365	
CHECKED	RDF	042605		DWG NO.	DOC-0365-030
FINISH		SCALE		SHEET 2 OF 6	



APPROVALS		DATE	TITLE		
DRAWN	GLM	042605	MPC5553DEMO AXM-0365		
CHECKED	RDF	042605	SIZE	DWG NO.	REV
FINISH			D	DOC-0365-030	B
SCALE				SHEET 3 OF 6	



APPROVALS		DATE	TITLE	
DRAWN	GLM	042605	MPC5553DEMO AXM-0365	
CHECKED	RDF	042605	SIZE	D
FINISH			DWG NO.	DOC-0365-030
			SCALE	
				REV B
				SHEET 4 OF 6



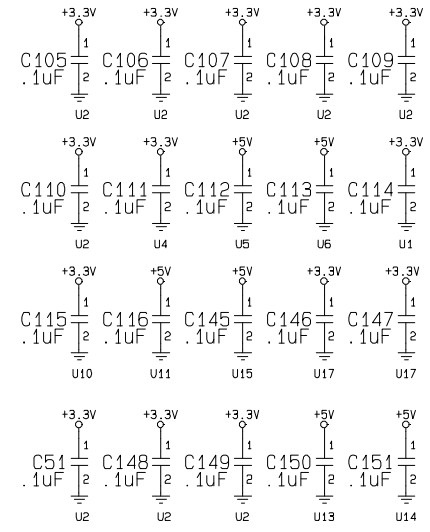
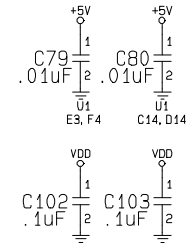
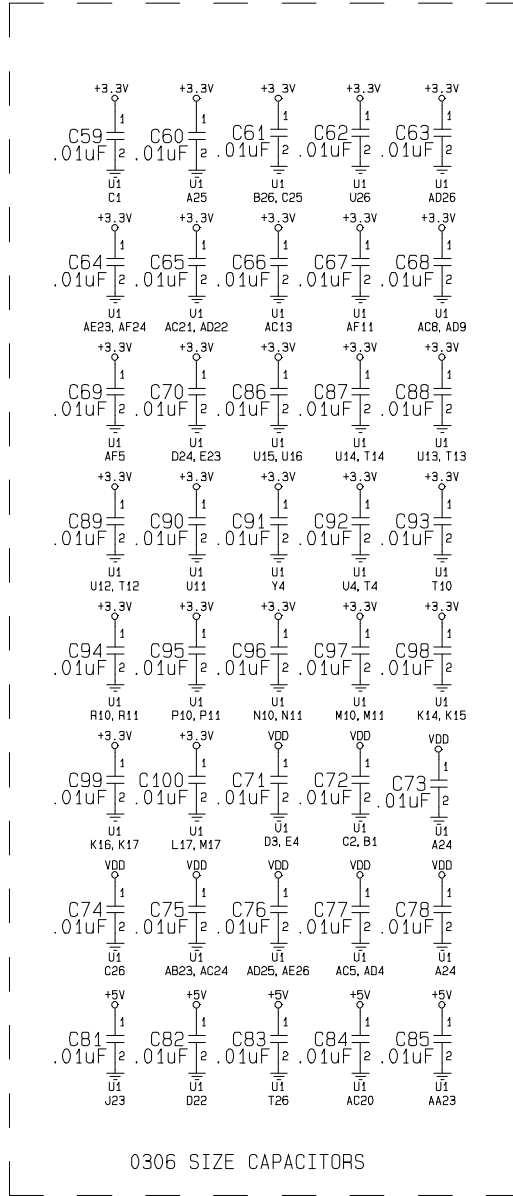
APPROVALS		DATE	TITLE	
DRAWN	GLM	042605	MPC5553DEMO AXM-0365	
CHECKED	RDF	042605	SIZE	DWG NO.
FINISH			D	DOC-0365-030
			SCALE	REV
				B
			SHEET 5 OF 6	



8 7 6 5 4 3 2 1

D
C
B
A

BYPASS CAPACITORS



D
C
B
A

8 7 6 5 4 3 2 1

		TITLE MPC5553DEMO AXM-0365			
APPROVALS	DATE	SIZE	DWG. NO.	REV	
DRAWN GLM	042605	D	DOC-0365-030	B	
CHECKED RDF	042605	SCALE	SHEET 6 OF 6		
FINISH					