









8 7 6 5 4 3 2 1

D

C

B

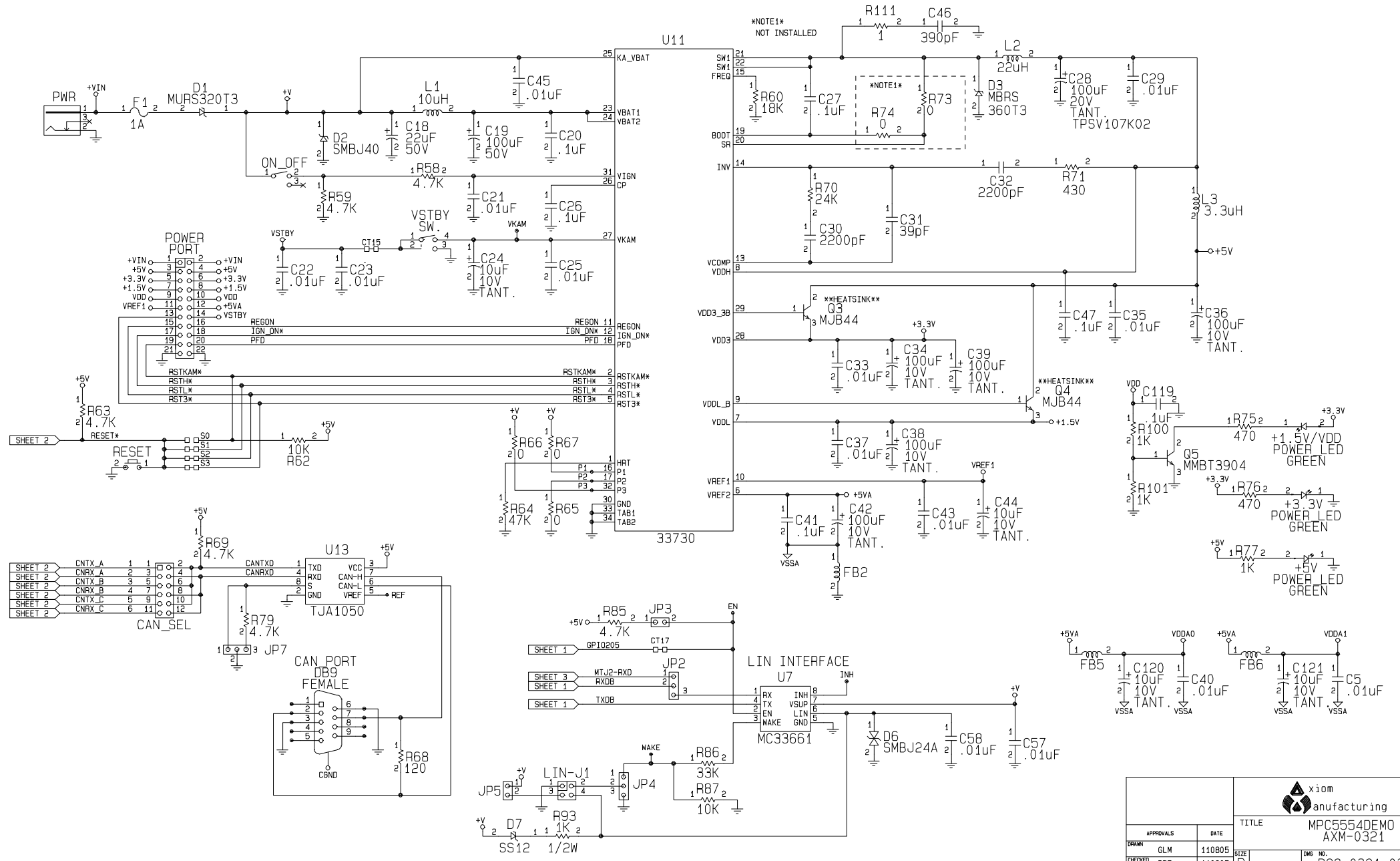
A

D

C

B

A

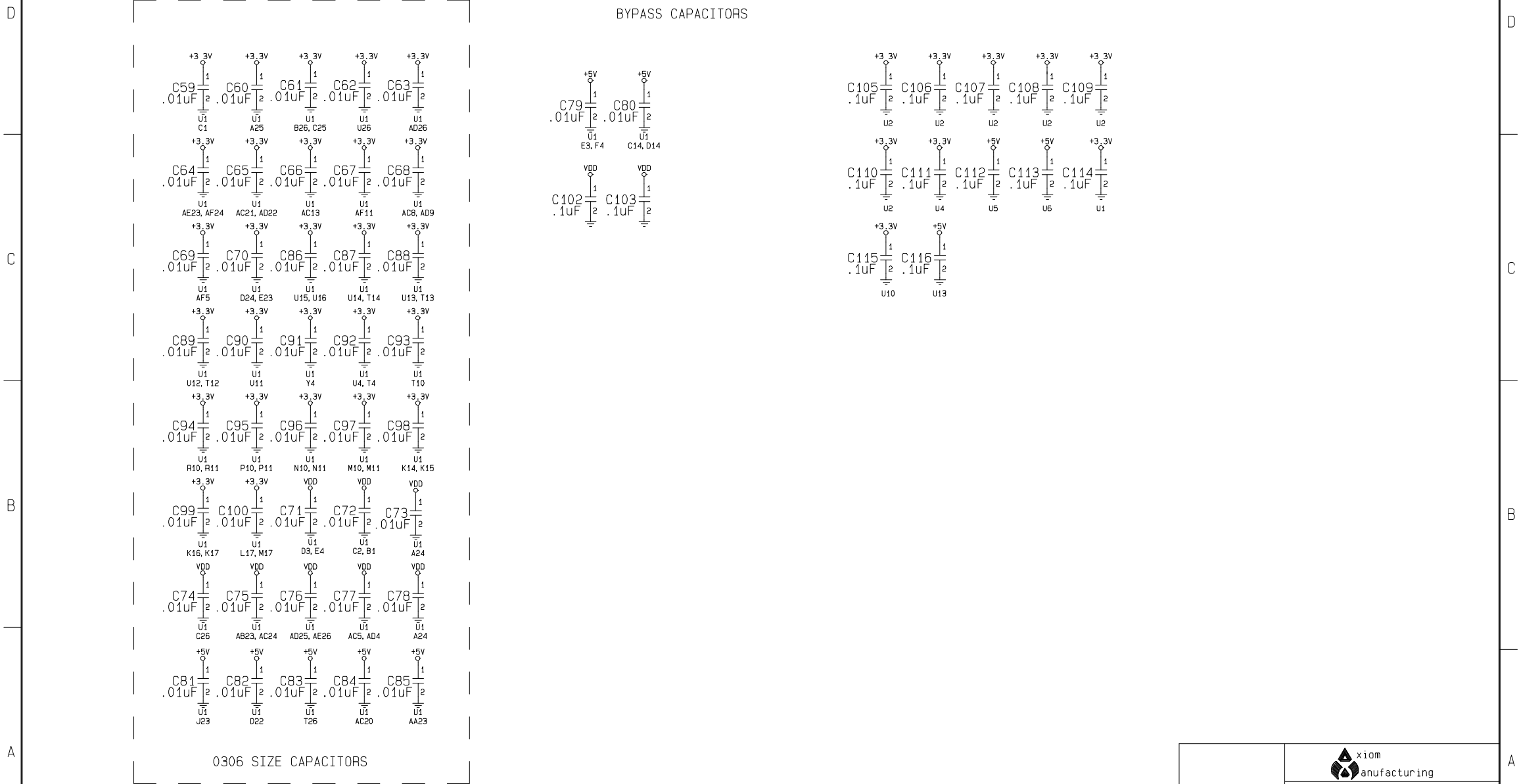


|           |     |        |                         |              |
|-----------|-----|--------|-------------------------|--------------|
| APPROVALS |     | DATE   | TITLE                   |              |
| DRAWN     | GLM | 110805 | MPC5554DEMO<br>AXM-0321 |              |
| CHECKED   | RDF | 110805 | SIZE                    | DWG. NO.     |
| FINISH    |     |        | SCALE                   | REV          |
|           |     |        |                         | G            |
|           |     |        |                         | DOC-0321-030 |
|           |     |        |                         | SHEET 4 OF 5 |

8 7 6 5 4 3 2 1



8 7 6 5 4 3 2 1



D  
C  
B  
A

8 7 6 5 4 3 2 1

|           |     |        |                         |              |     |
|-----------|-----|--------|-------------------------|--------------|-----|
| APPROVALS |     | DATE   | TITLE                   |              |     |
| DRAWN     | GLM | 110805 | MPC5554DEMO<br>AXM-0321 |              |     |
| CHECKED   | RDF | 110805 | SIZE                    | DWG NO.      | REV |
| FINISH    |     |        |                         | DOC-0321-030 | G   |
|           |     |        | SCALE                   | SHEET 5 OF 5 |     |

D  
C  
B  
A