

# MPC5668 Nexus Emulation Adapter

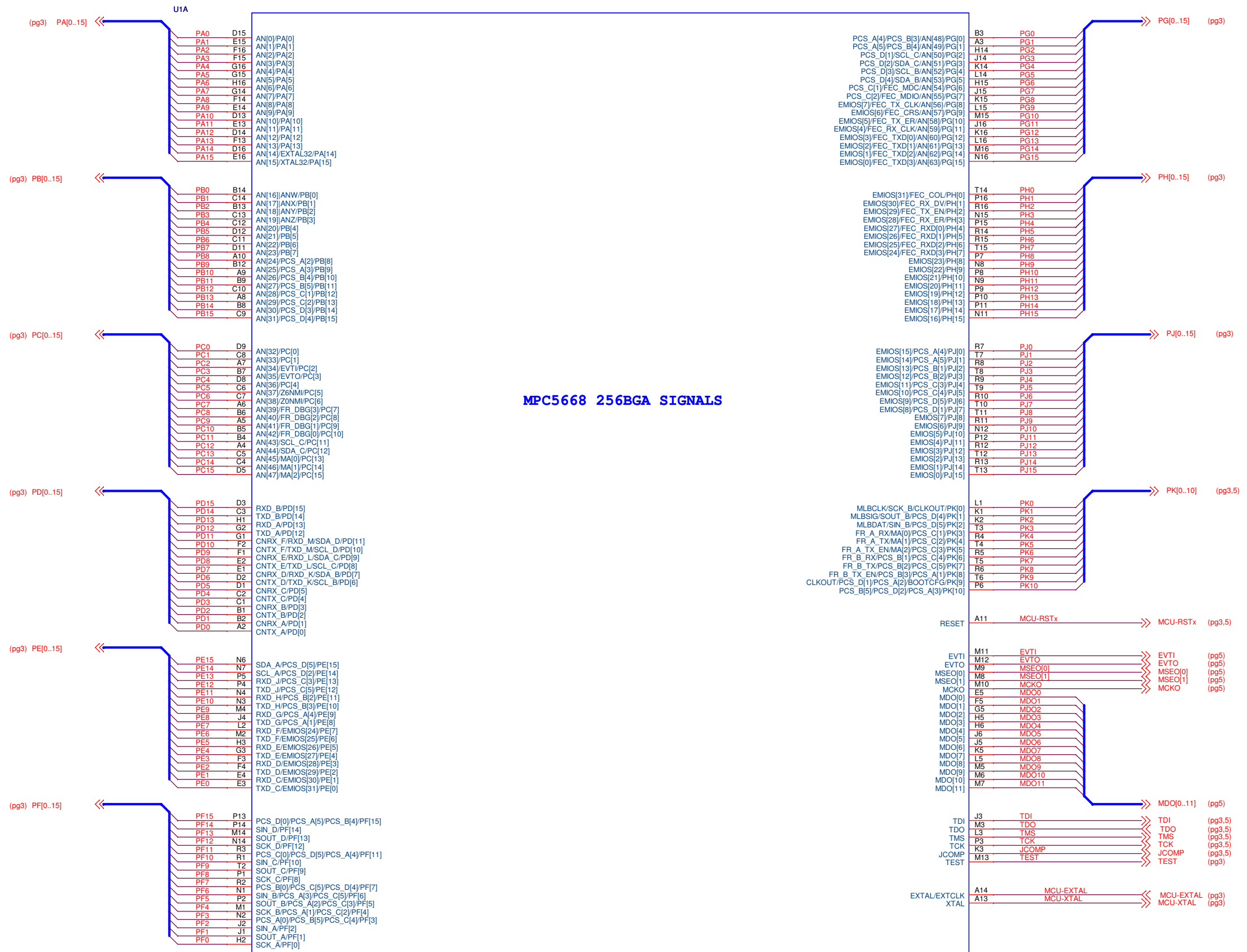
## Table of Contents

256 MCU I/O	Sheet 2
208 MCU I/O	Sheet 3
256 & 208 Power	Sheet 4
Debug Circuitry	Sheet 5

## Revisions

Rev	Description	Date	Designer
A	Original Release	Sept 18th 2008	D.McMenamin
B	Capacitor update C1 and C2	June 09th 2010	S.McLaughlin

		<b>Microcontroller Solutions Group</b> 6501 William Cannon Drive West Austin, TX 78735-8598	
<small>This document contains information proprietary to Freescale Semiconductor and shall not be used for engineering design, procurement or manufacture in whole or in part without the express written permission of Freescale Semiconductor.</small>			
Designer: R62709		Drawing Title: <b>MPC5668ADP</b>	
Drawn by: R62709		Page Title: <b>TITLE PAGE</b>	
Approved: R64495	Size C	Document Number SCH-25195 PDF: SPF-25195	Rev B
Date: Wednesday, June 09, 2010		Sheet 1 of 5	



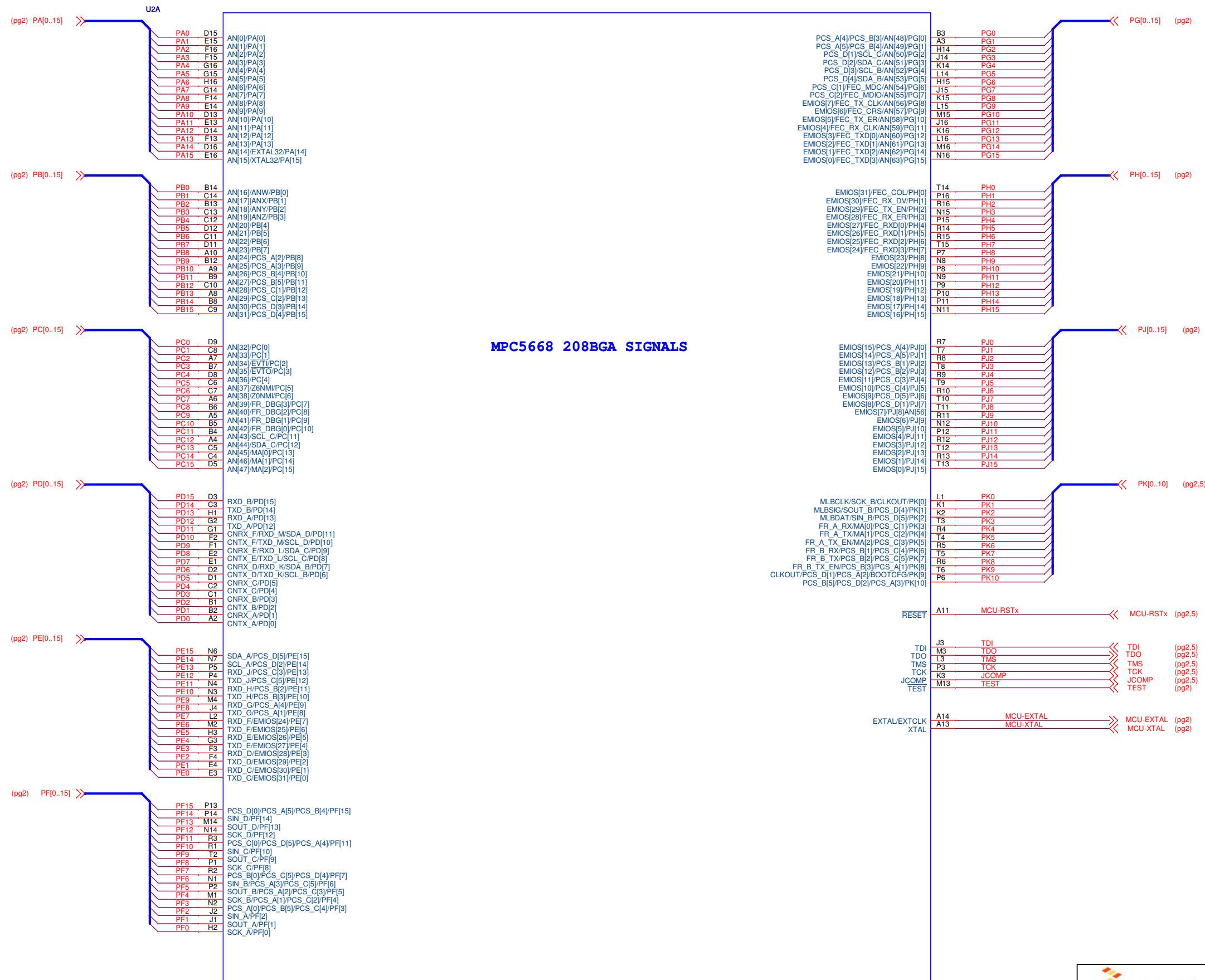
MPC5668

**Microcontroller Solutions Group**  
6501 William Cannon Drive West  
Austin, TX 78735-8598

This document contains information proprietary to Freescale Semiconductor and shall not be used for engineering design, procurement or manufacture in whole or in part without the express written permission of Freescale Semiconductor.

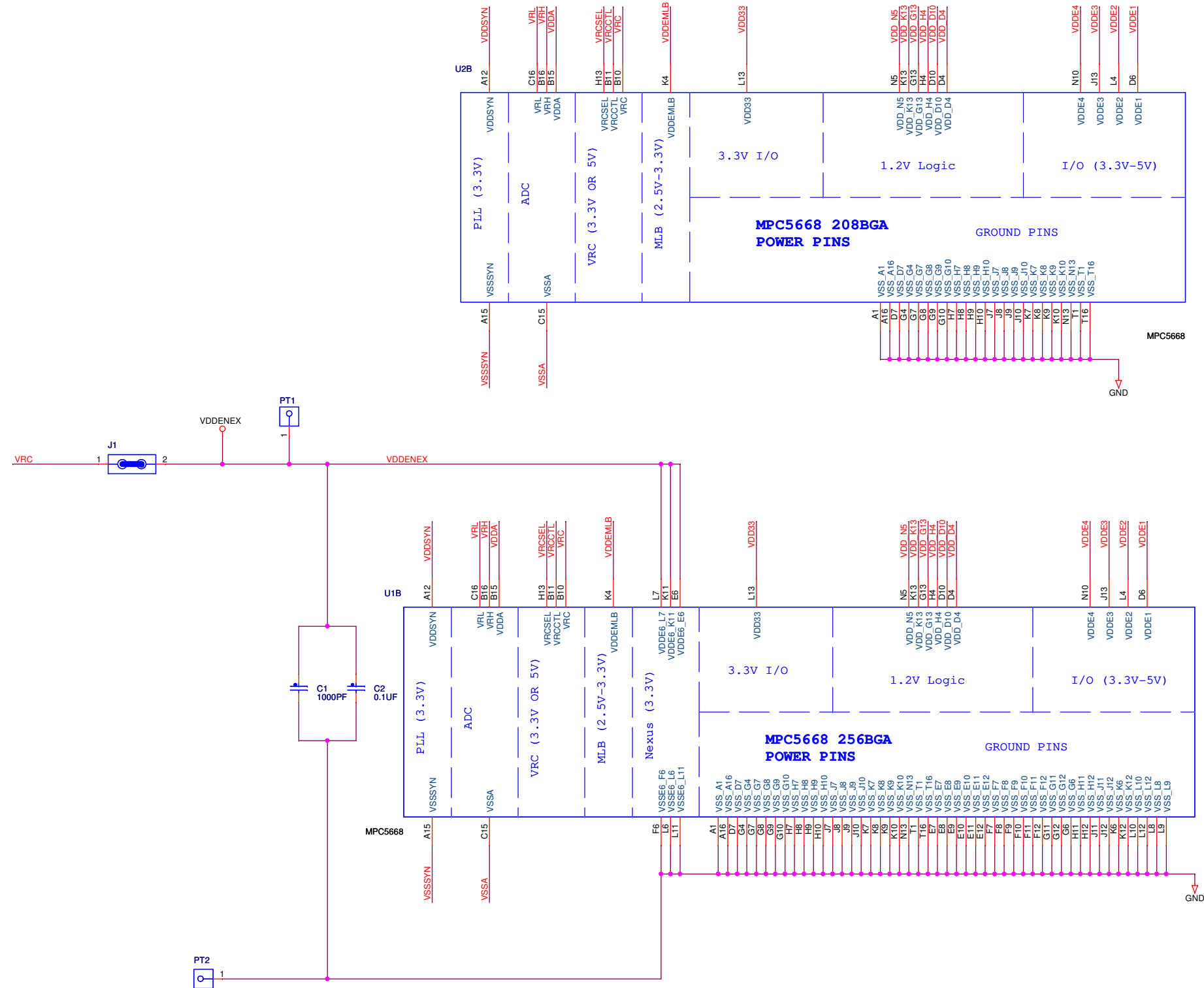
ICAP Classification: FCP: FIUC: X PUBI:

Designer: R62709	Drawing Title: <b>MPC5668ADP</b>		
Drawn by: R62709	Page Title: <b>256 MCU I/O</b>		
Approved: R64495	Size C	Document Number SCH-25195 PDF: SPF-25195	Rev B
Date: Wednesday, June 09, 2010	Sheet 2	of 5	



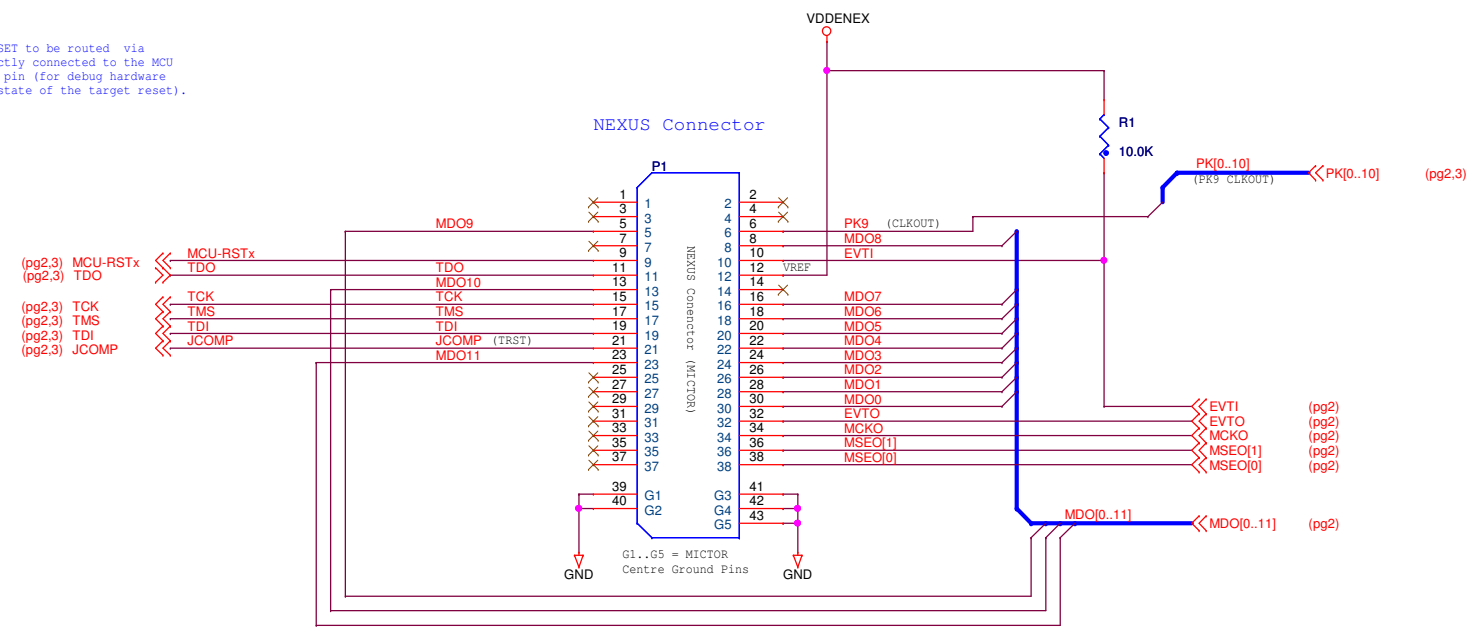
MPC5668

		<b>Microcontroller Solutions Group</b>	
		6501 William Cannon Drive West Austin, TX 78735-8598	
This document contains information proprietary to Freescale Semiconductor and shall not be used for engineering design, procurement or manufacture in whole or in part without the express written permission of Freescale Semiconductor.			
Designer: R62709		ICAP Classification: FCP: FIUC: X PUBI:	
Drawing Title: <b>MPC5668ADP</b>			
Drawn by: R62709		Page Title: <b>208 MCU I/O</b>	
Approved: R64495	Size C	Document Number SCH-25195 PDF: SPF-25195	Rev B
Date: Wednesday, June 09, 2010		Sheet 3 of 5	



		<b>Microcontroller Solutions Group</b> 6501 William Cannon Drive West Austin, TX 78735-8598	
		<small>This document contains information proprietary to Freescale Semiconductor and shall not be used for engineering design, procurement or manufacture in whole or in part without the express written permission of Freescale Semiconductor.</small>	
Designer: R62709	Drawing Title: <b>MPC5668ADP</b>	ICAP Classification: FCP:	FIUC: X PUBL:
Drawn by: R62709	Page Title: <b>256 &amp; 208 Power</b>		
Approved: R64495	Size C	Document Number SCH-25195 PDF: SPF-25195	Rev B
Date: Wednesday, June 09, 2010		Sheet 4 of 5	

Jumper allows JTAG RESET to be routed via buffers or to be directly connected to the MCU RESEtx bi-directional pin (for debug hardware that can monitor the state of the target reset).



		<b>Microcontroller Solutions Group</b> 6501 William Cannon Drive West Austin, TX 78735-8598		
		This document contains information proprietary to Freescale Semiconductor and shall not be used for engineering design, procurement or manufacture in whole or in part without the express written permission of Freescale Semiconductor.		
Designer: R62709	Drawing Title: <b>MPC5668ADP</b>			
Drawn by: R62709	Page Title: <b>Debug Circuitry</b>			
Approved: R64495	Size C	Document Number SCH-25195 PDF: SPF-25195	Rev B	
Date: Wednesday, June 09, 2010		Sheet 5 of 5		