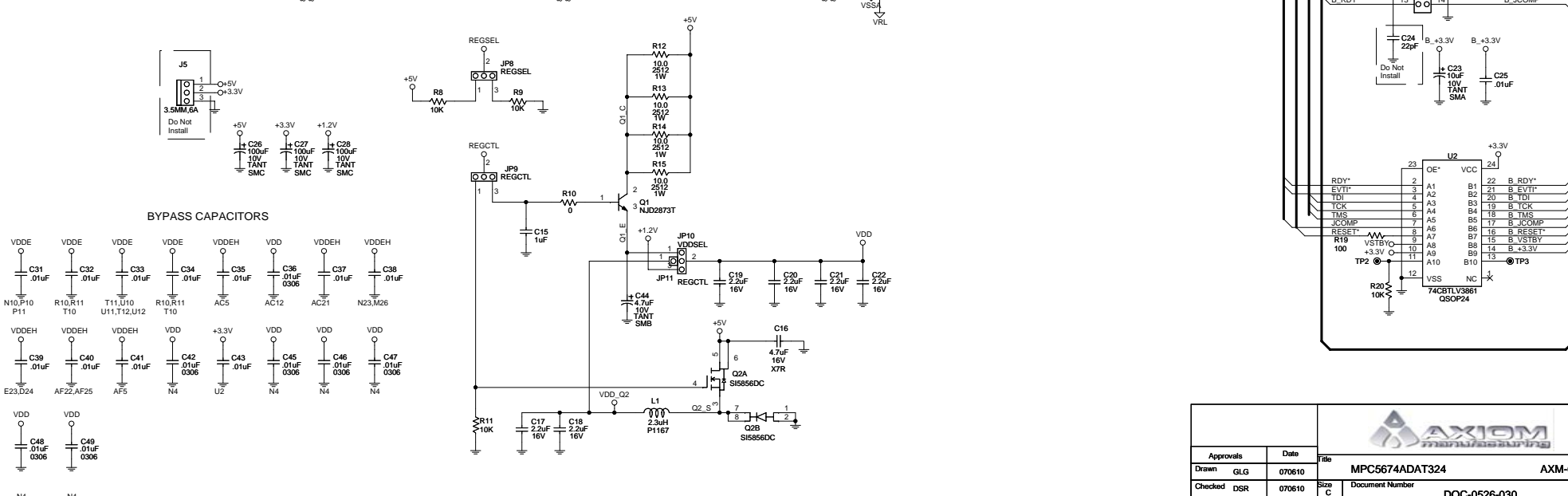
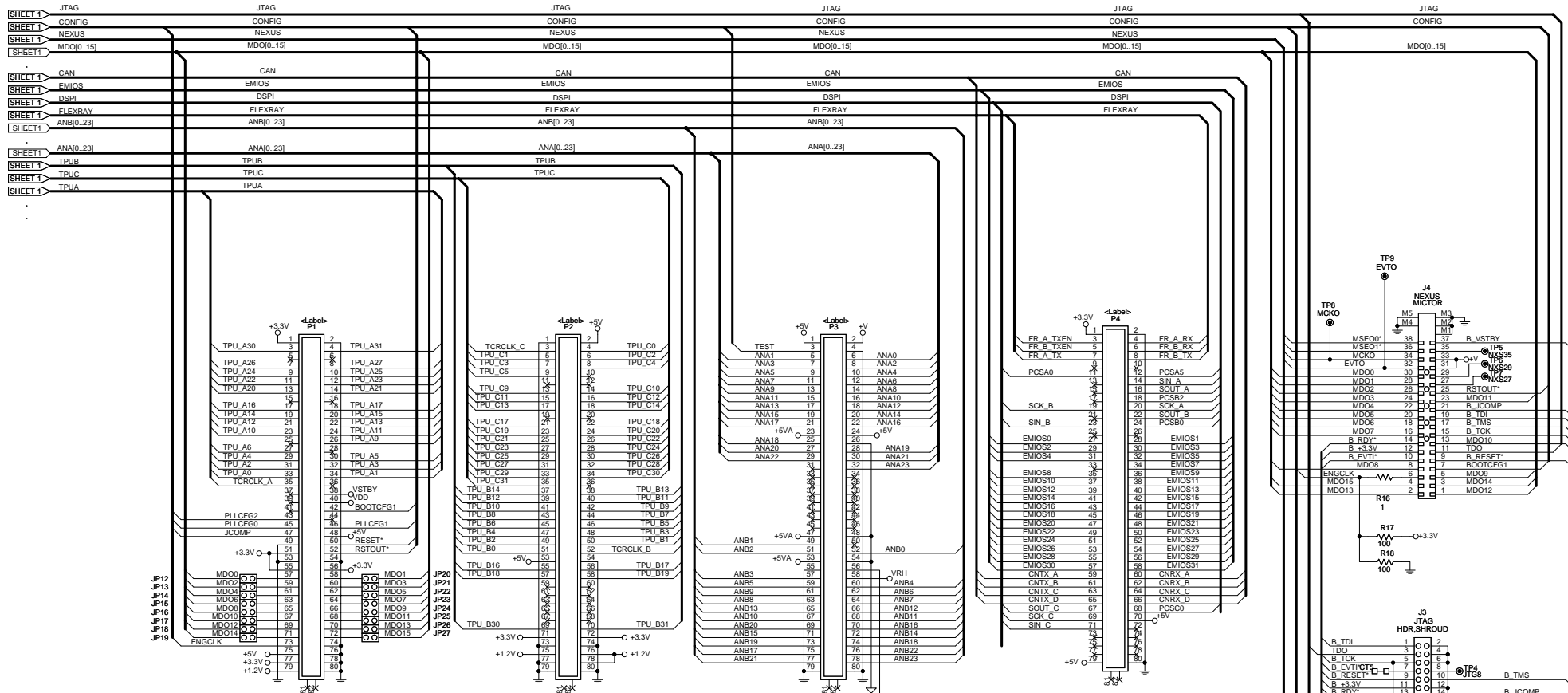


SHEET 2 TPUA		SHEET 2 TPUB		SHEET 2 TPLC	
SHEET 2 DSPI		SHEET 2 NEXUS		SHEET 2 MDO[0..15]	
SHEET 2 EMOS		SHEET 2 ANA[0..23]		SHEET 2 ANB[0..23]	
SHEET 2 FLEXRAY		SHEET 2 CAN		SHEET 2 JTAG	
SHEET 2 CONFIG		SHEET 2 TMS		SHEET 2 TEST	
SHEET 2 ENCLKR		SHEET 2 VDD		SHEET 2 VSS	
SHEET 2 VDD33		SHEET 2 VDDSYN		SHEET 2 VDDA	
SHEET 2 VDDREG		SHEET 2 XTAL		SHEET 2 EXTERNAL	
SHEET 2 OSC_EN		SHEET 2 TP1		SHEET 2 X1	

Approvals		Date		Title	
Drawn	GLG	070610		MPC5674ADAT324 AXM-0526	
Checked	DSR	070610		Document Number	DOC-0526-030
Finish				Rev	A
Date: Thursday, July 08, 2010		Sheet		1 of 2	



Approvals		Date	File	
Drawn	GLG	070610	MPC5674ADAT324	AXM-0526
Checked	DSR	070610	Document Number	DOC-0526-030
Finish			Date: Thursday, July 08, 2010	Sheet 2 of 2