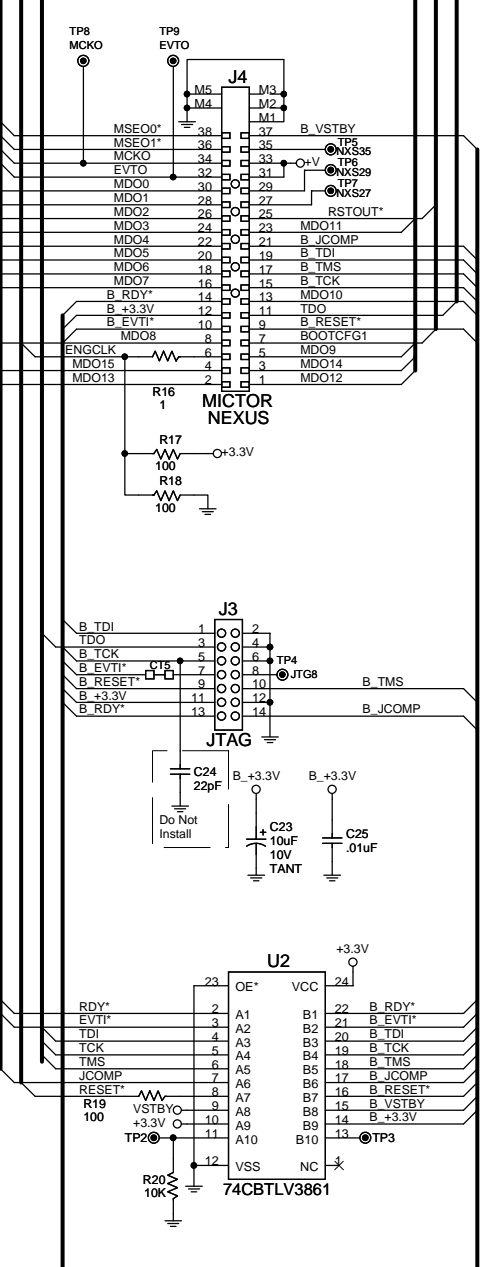
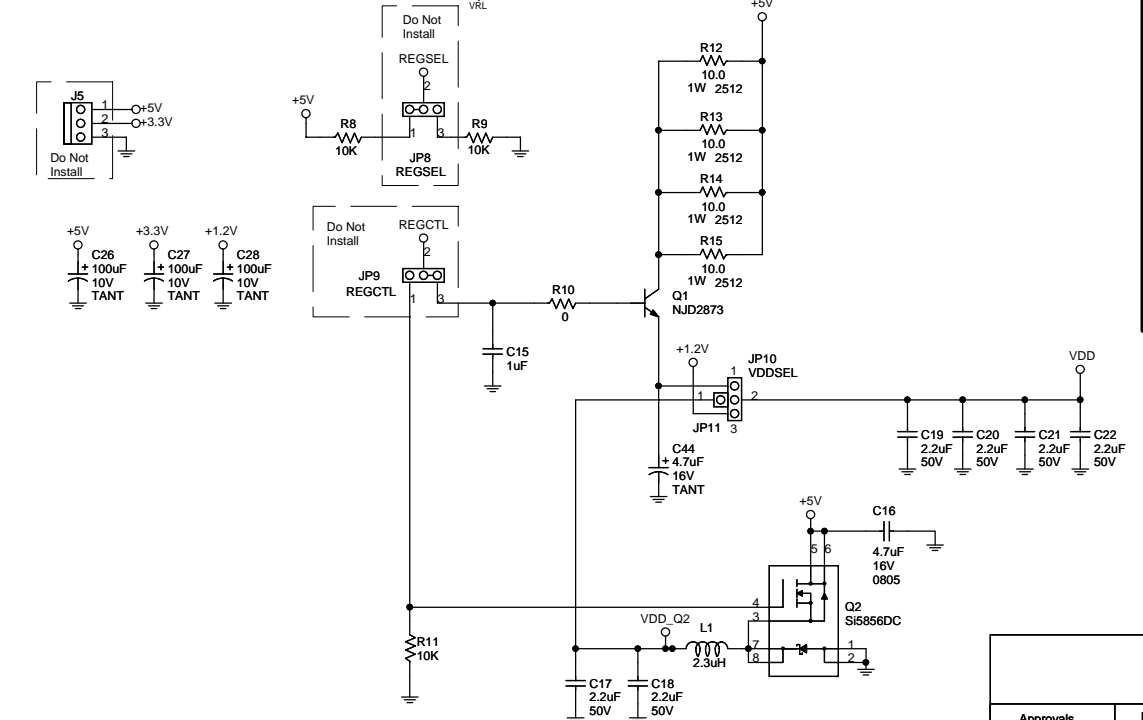
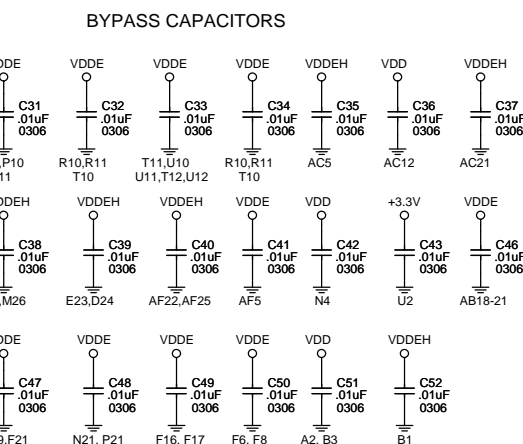
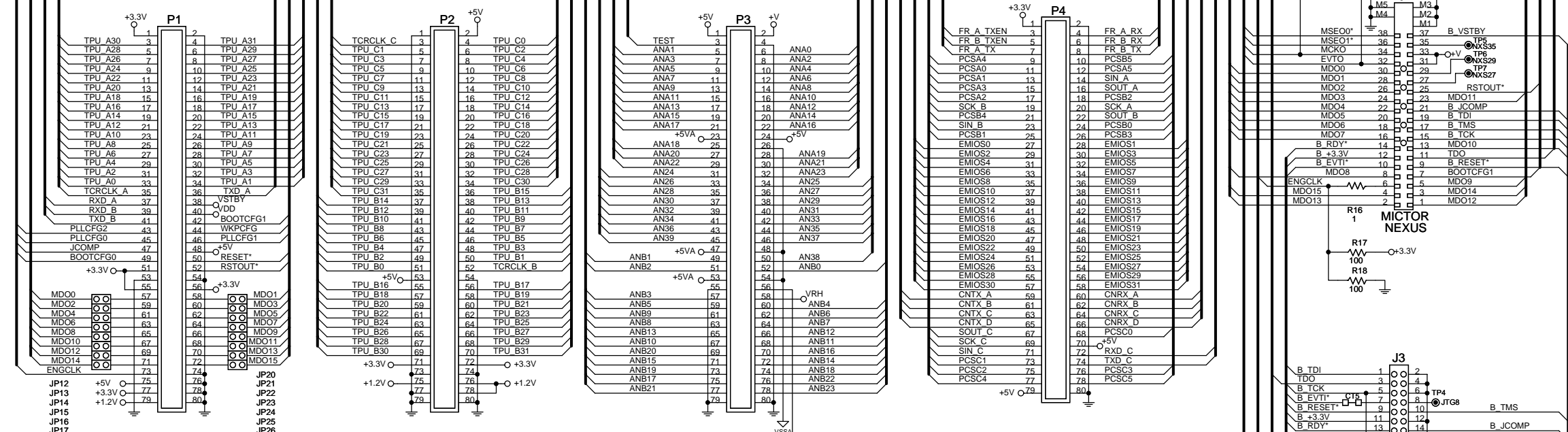
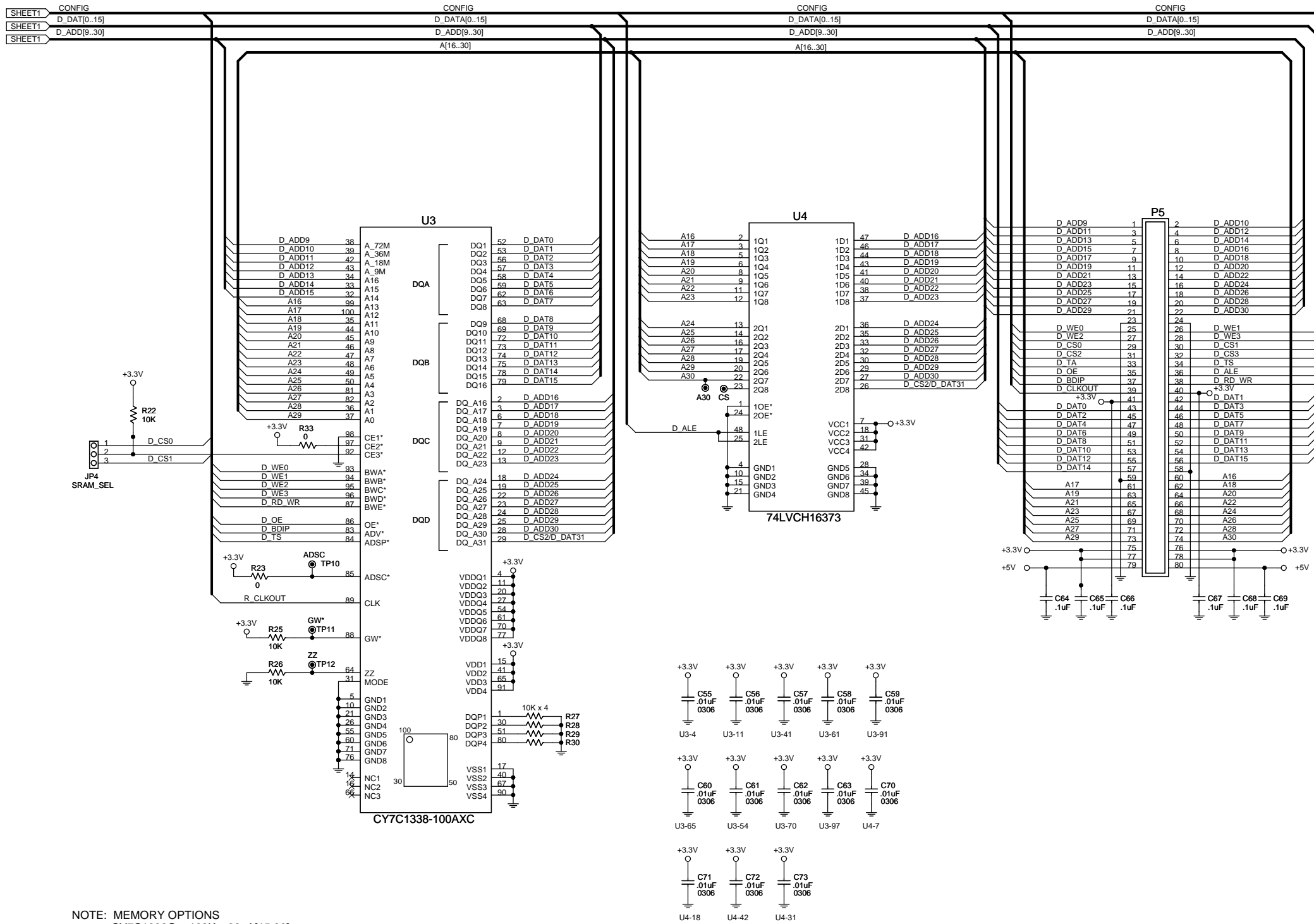




SHEET1	JTAG	JTAG	JTAG	JTAG	JTAG	JTAG
SHEET1	CONFIG	CONFIG	CONFIG	CONFIG	CONFIG	CONFIG
SHEET1	NEXUS	NEXUS	NEXUS	NEXUS	NEXUS	NEXUS
SHEET1	MDO[0..15]	MDO[0..15]	MDO[0..15]	MDO[0..15]	MDO[0..15]	MDO[0..15]
SHEET1	SCI	SCI	SCI	SCI	SCI	SCI
SHEET1	CAN	CAN	CAN	CAN	CAN	CAN
SHEET1	EMIOS[0..31]	EMIOS[0..31]	EMIOS[0..31]	EMIOS[0..31]	EMIOS[0..31]	EMIOS[0..31]
SHEET1	DSP	DSP	DSP	DSP	DSP	DSP
SHEET1	FLEXRAY	FLEXRAY	FLEXRAY	FLEXRAY	FLEXRAY	FLEXRAY
SHEET1	ANB[0..23]	ANB[0..23]	ANB[0..23]	ANB[0..23]	ANB[0..23]	ANB[0..23]
SHEET1	ANA[24..39]	ANA[24..39]	ANA[0..23]	ANA[0..23]	ANA[0..23]	ANA[0..23]
SHEET1	ANA[0..23]	ANA[0..23]	ANA[0..23]	ANA[0..23]	ANA[0..23]	ANA[0..23]
SHEET1	TPU B[0..31]	TPU B[0..31]	TPU B[0..31]	TPU B[0..31]	TPU B[0..31]	TPU B[0..31]
SHEET1	TPU C[0..31]	TPU C[0..31]	TPU C[0..31]	TPU C[0..31]	TPU C[0..31]	TPU C[0..31]
SHEET1	TPU A[0..31]	TPU A[0..31]	TPU A[0..31]	TPU A[0..31]	TPU A[0..31]	TPU A[0..31]



		Title	
		MPC567XADAT516 AXM-0472	
Drawn	GLM	Date	111610
Checked	DSR	Size	C
Finish		Document Number	DOC-0472-030
Date		Tuesday, November 16, 2010	
Sheet		2 of 3	



Approvals	Date	Title	
Drawn GLM	111610	MPC567XADAT516 AXM-0472	
Checked DSR	111610	Size C	Document Number
Finish		DOC-0472-030	
		Date: Tuesday, November 16, 2010	Sheet 3 of 3