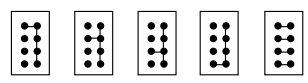
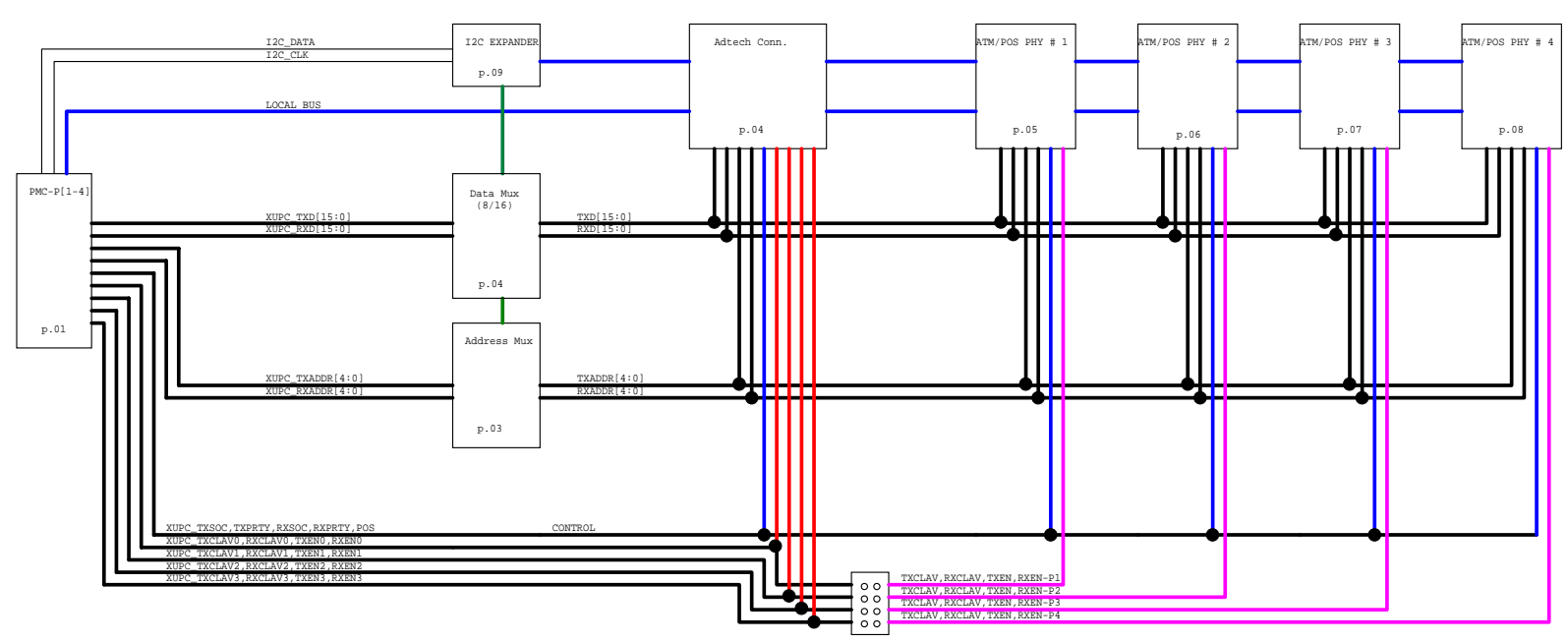


| Table of Contents | |
|-------------------|--------------------|
| Page | Description |
| 0 | This Page |
| 1 | Block Diagram |
| 2 | PMC Connectors |
| 3 | PMC_XMC_MUX |
| 4 | ADDTECH Connectors |
| 5 | 1OC3 |
| 6 | 2OC3 |
| 7 | 3OC3 |
| 8 | 4OC3 |
| 9 | CLOCKS & I2C |
| 10 | Power 1,2 |
| 11 | Power 3,4 |
| 12 | |

| Revision History | |
|--|---------------|
| PILOT_1 | December 15th |
| Delete Jumper. Supports PIB Rev Pilot or newer only. | |
| Supports working with both UPC1(Slot PMC0),UPC2 (Slot PMC1) simultaneously: Changes were done in U26. CS5 will be used by UPC1. CS4 will be used by UPC2. | |
| All Capacitors 0.01uF, 0402, 021-00186, were changed to 021-00194. | |
| Remove R160. | |
| Supports RXADDR0 routing due to Busmod3. | |
| Adding POS signals to Addtech connectors for probing | |
| Adding 2.2uF capacitors on Y1-4, Y2-4, Y4-4, Y5-4 | |

Difference between ASSY0.1 and PILOT

MWI: 085-QOC3-PMC-5
PCB: 084-00208-2



MWI: 085-QOC3-PMC-5
PCB: 084-00208-1



5

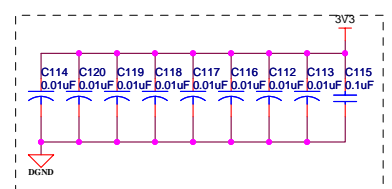
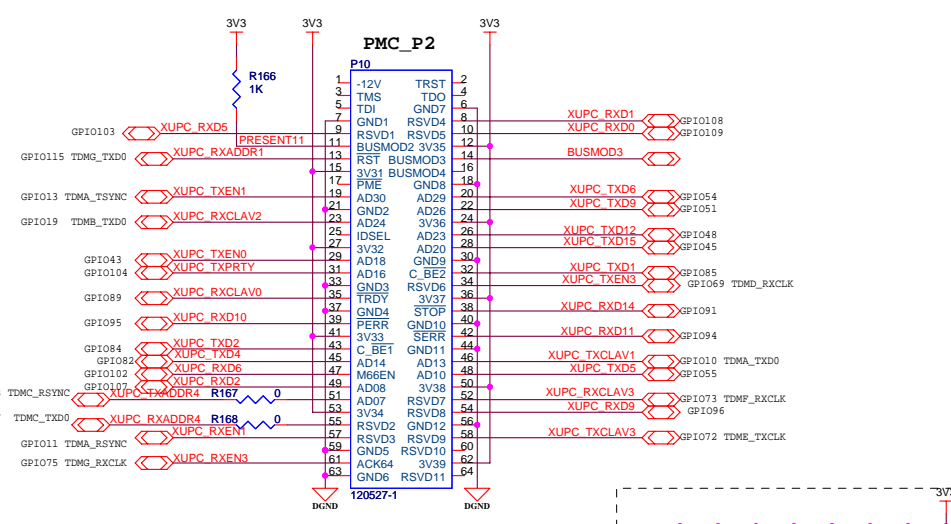
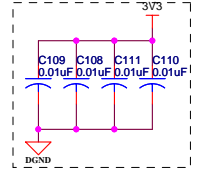
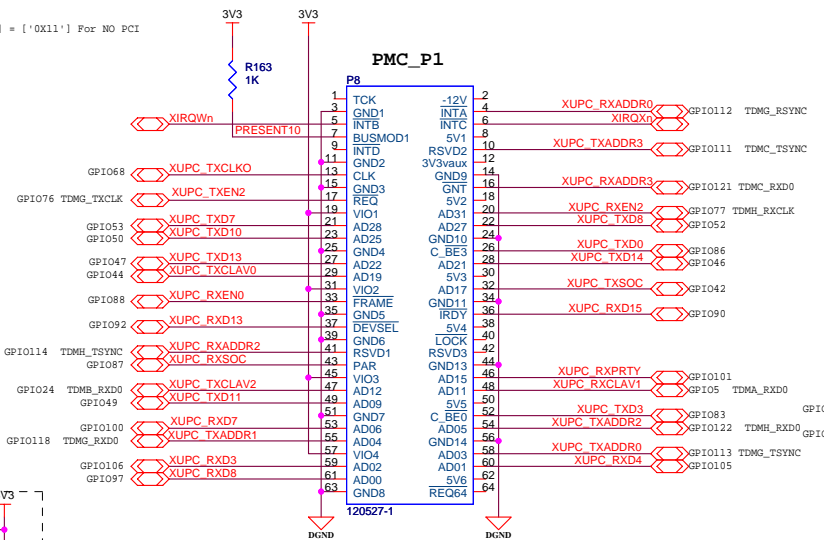
4

3

2

1

BUSMODE[4,3,2,1] = ['0x11'] For NO PCI

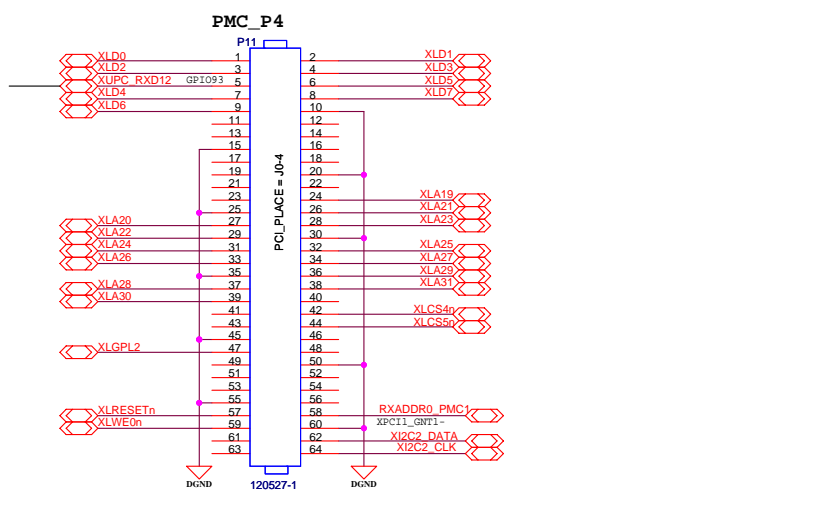
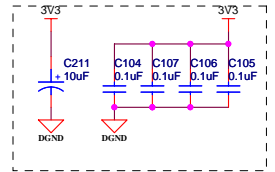
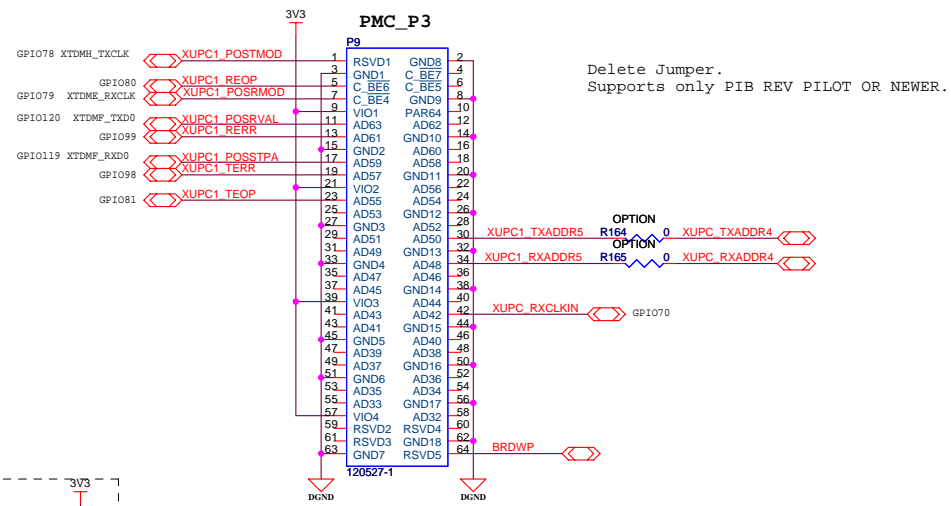


C

C

B

B



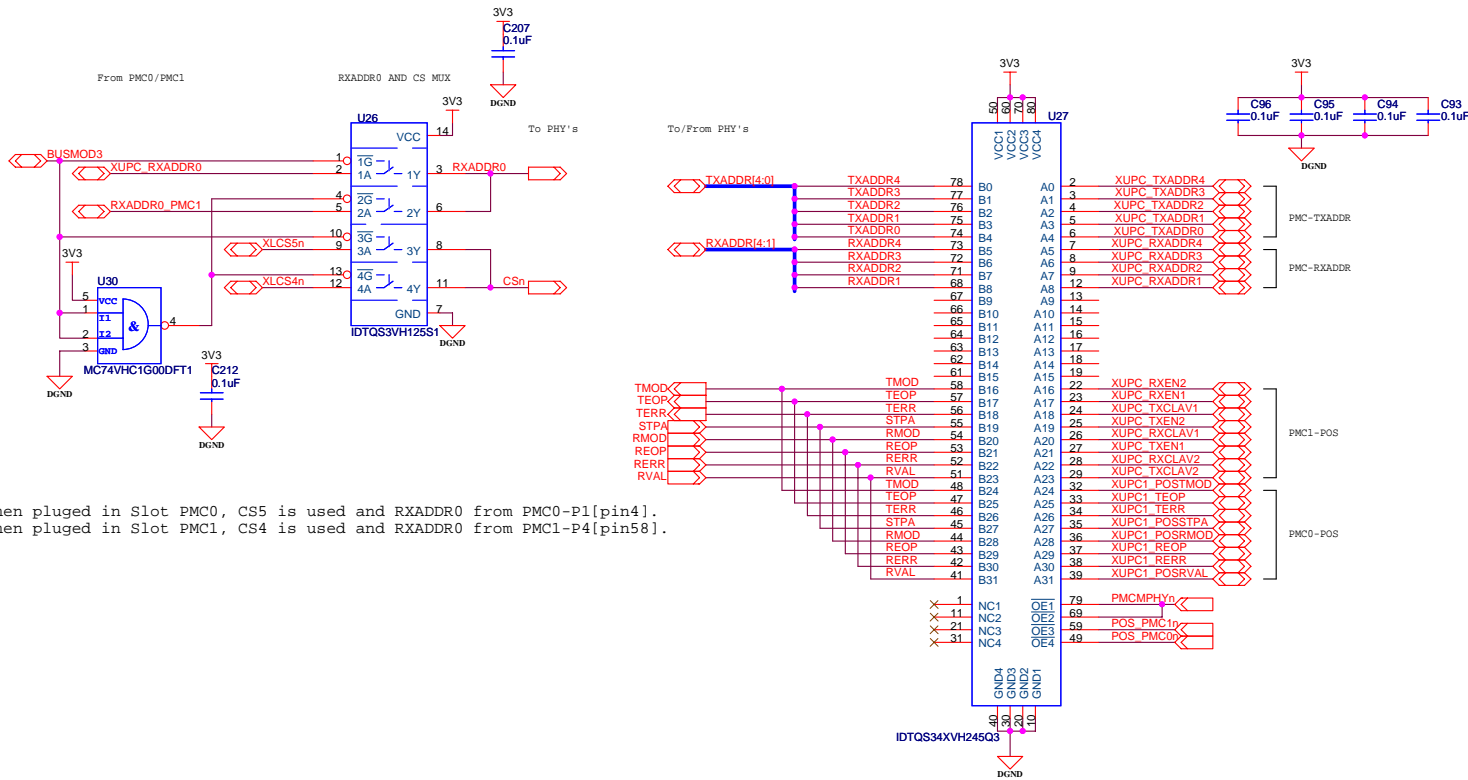
5

4

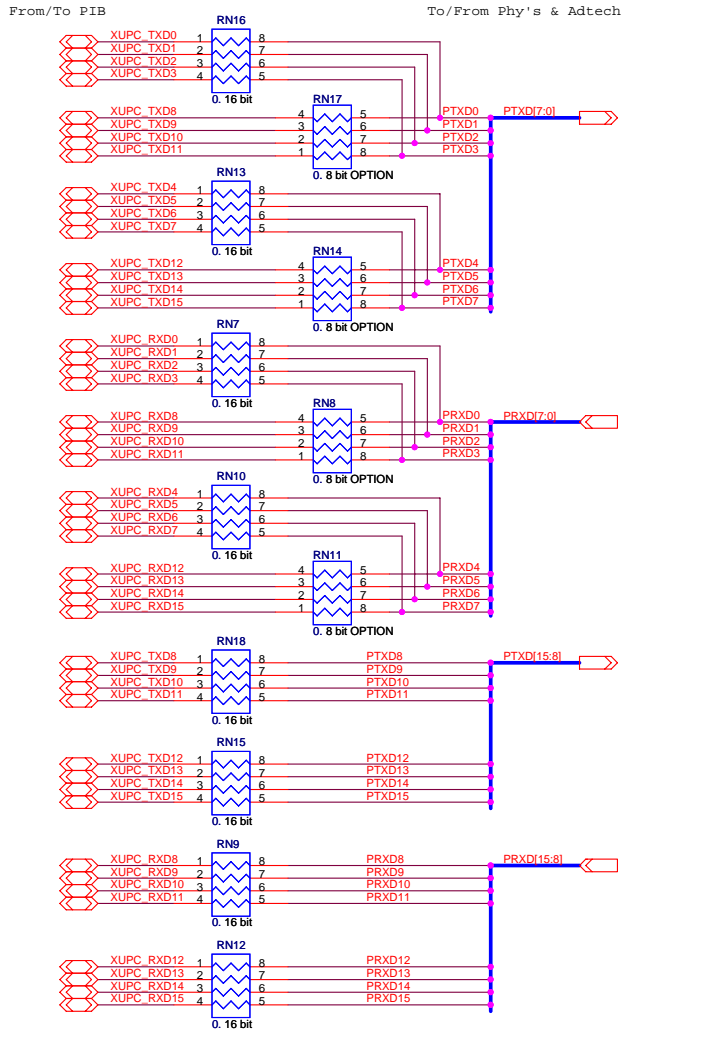
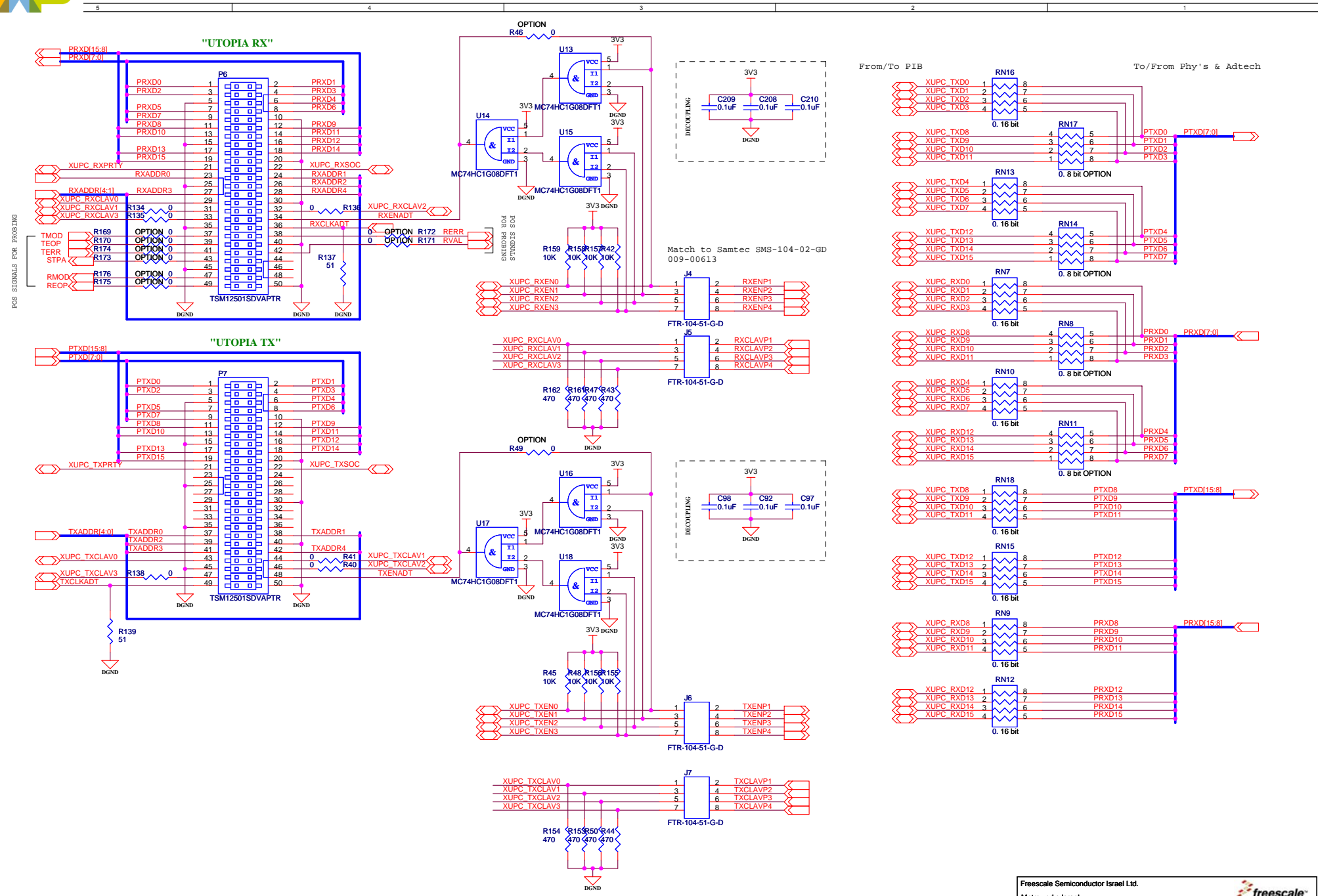
3

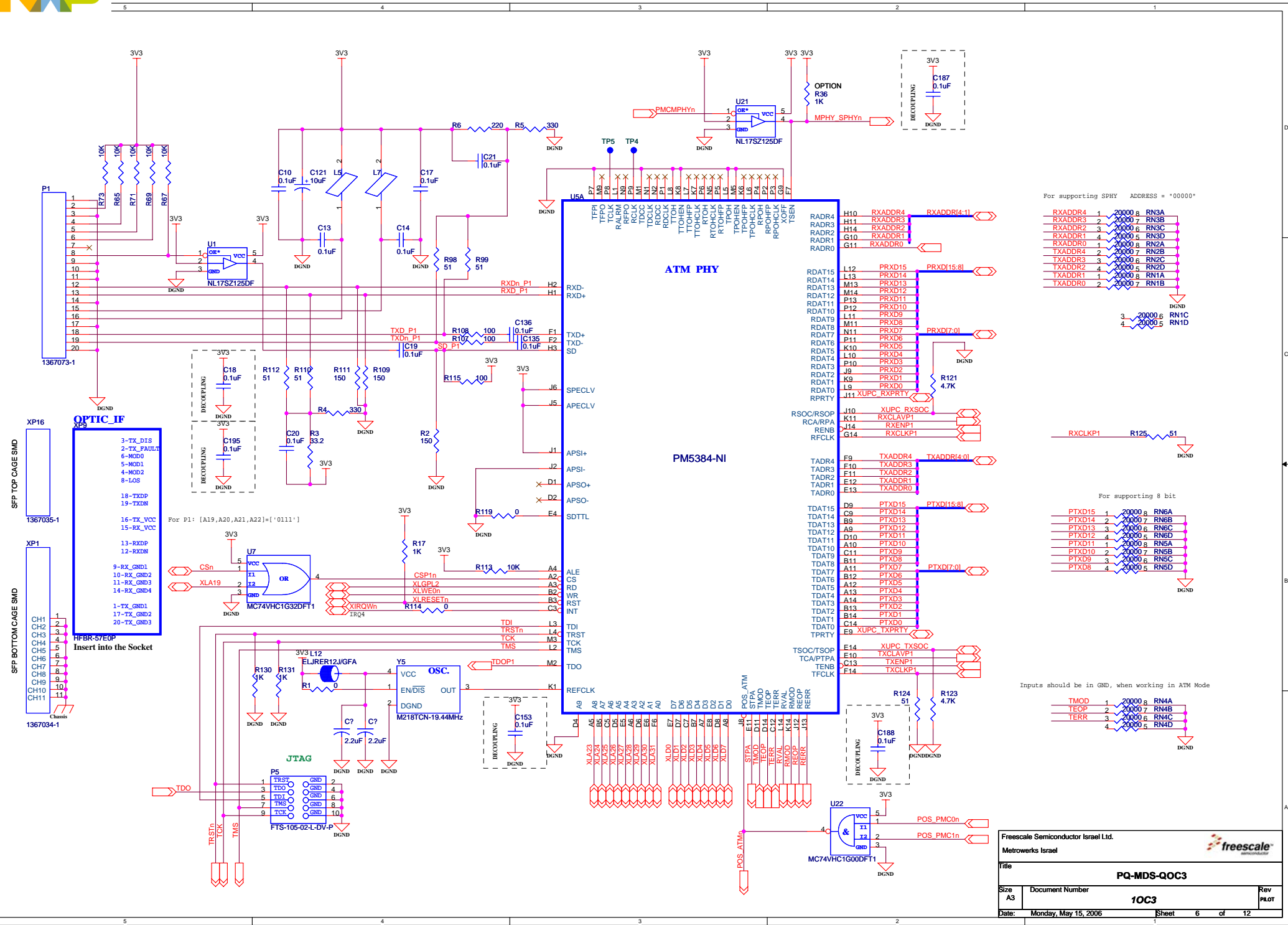
2

1

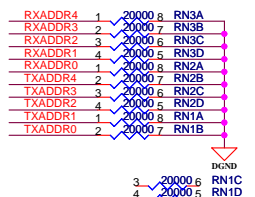


When plugged in Slot PMC0, CS5 is used and RXADDR0 from PMC0-P1[pin4].
 When plugged in Slot PMC1, CS4 is used and RXADDR0 from PMC1-P4[pin58].

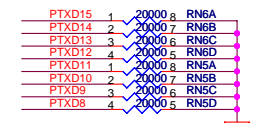




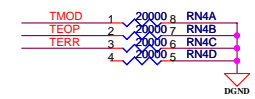
For supporting SPHY ADDRESS = '00000'

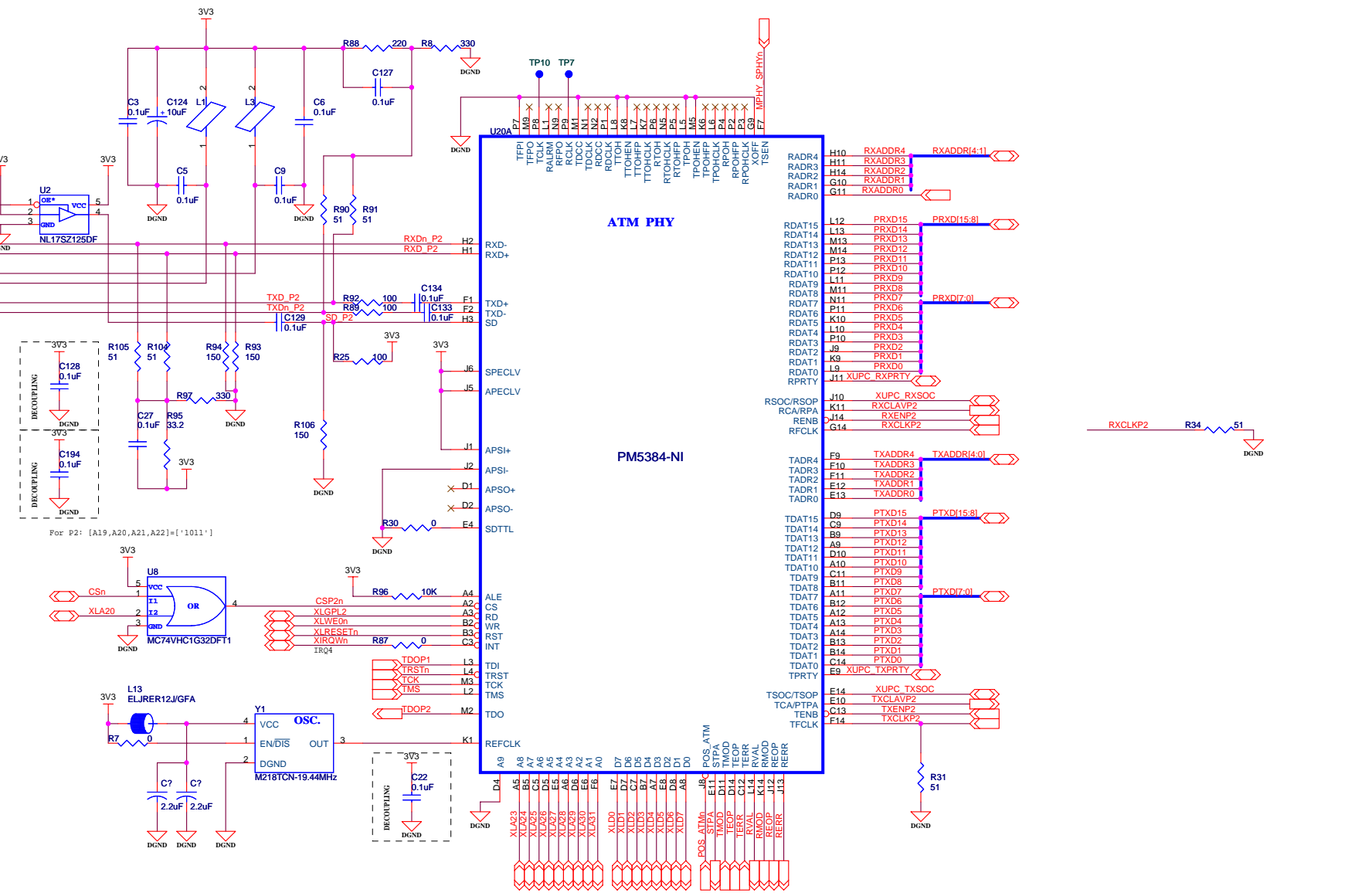
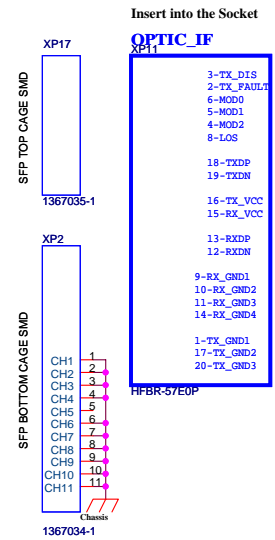


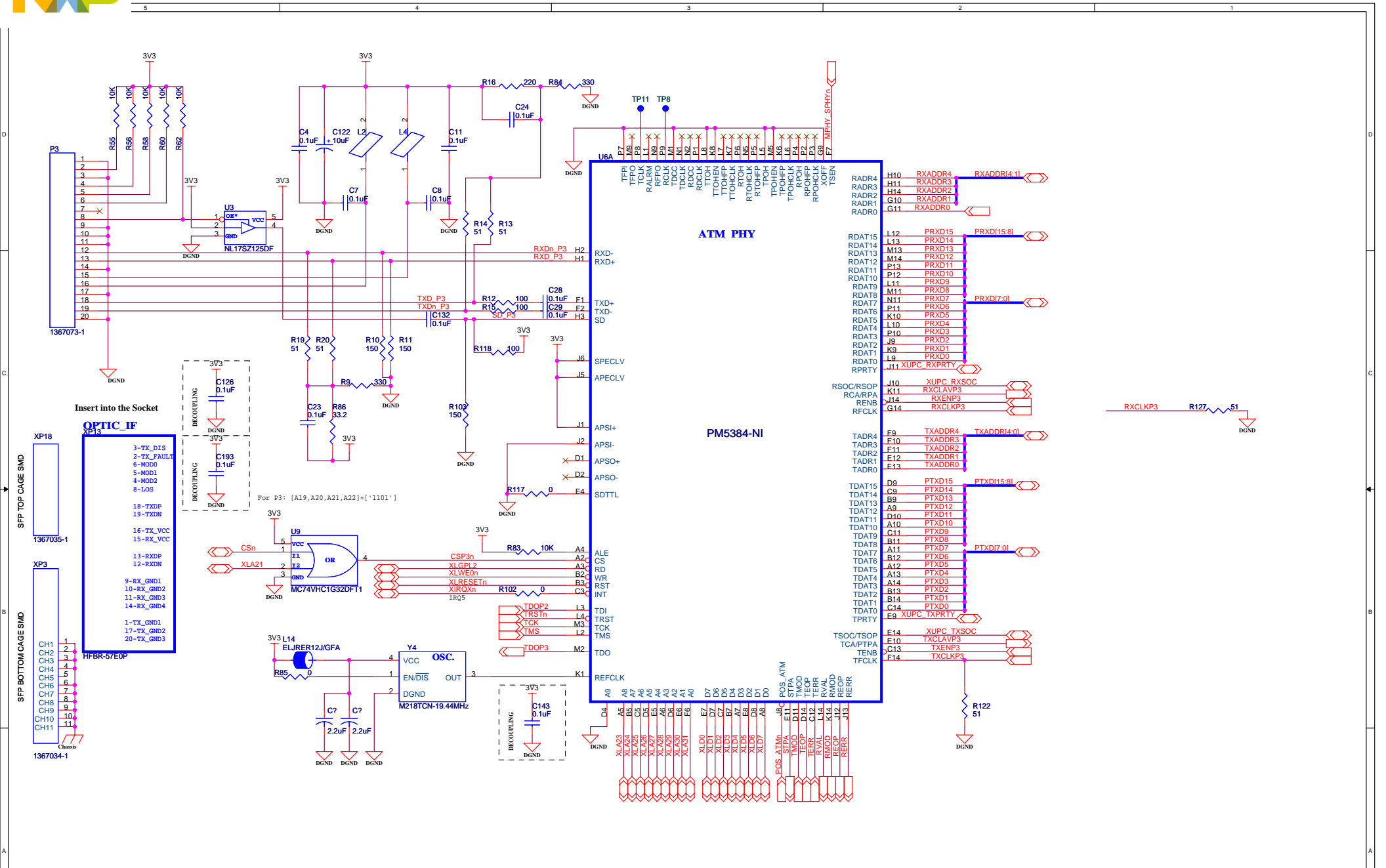
For supporting 8 bit

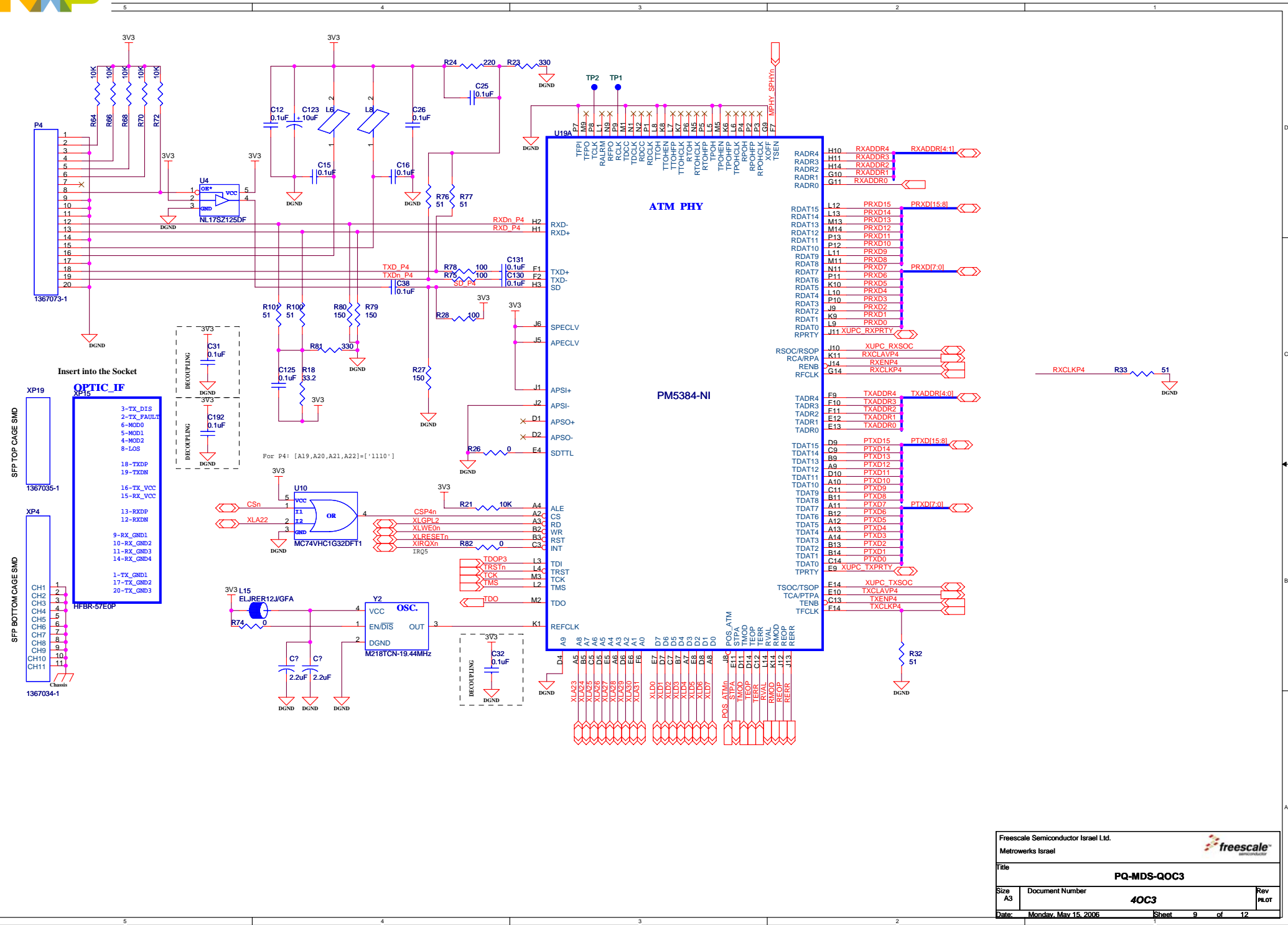


Inputs should be in GND, when working in ATM Mode



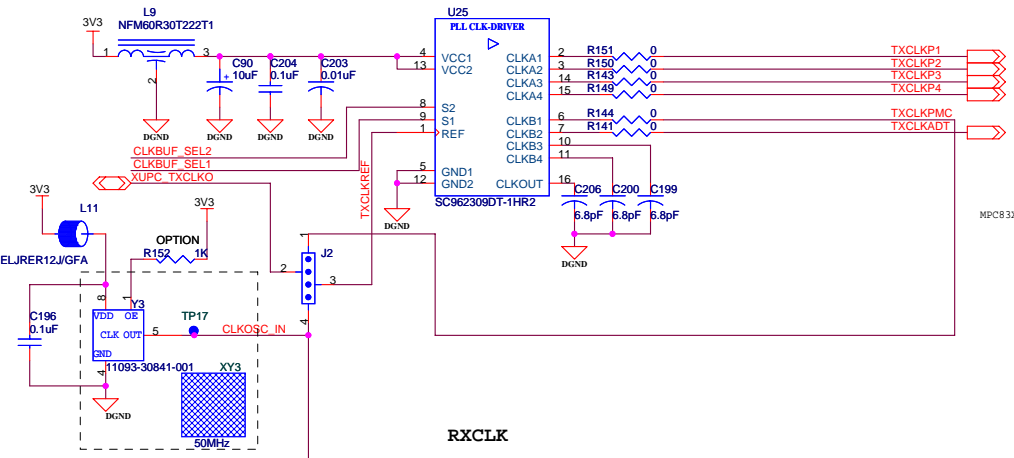




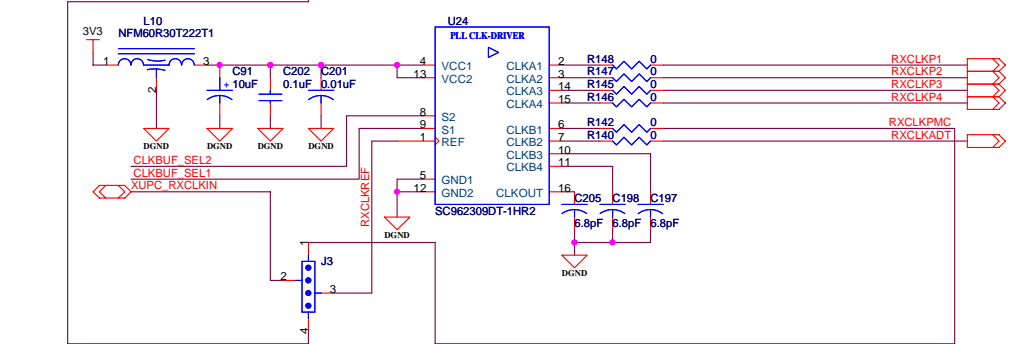




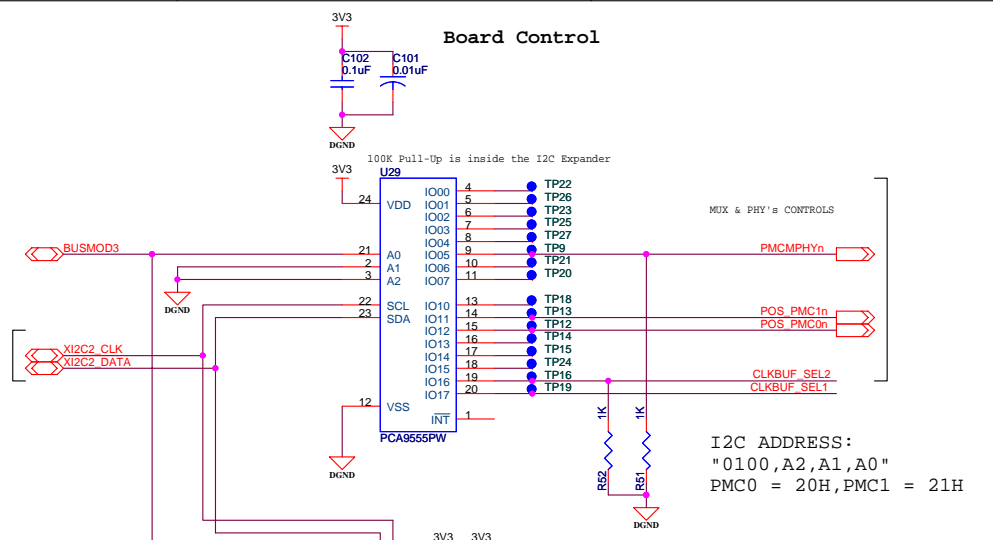
TXCLK



RXCLK



Board Control

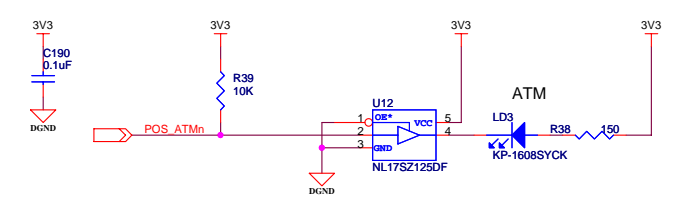


I2C ADDRESS:
"0100,A2,A1,A0"
PMC0 = 20H, PMC1 = 21H

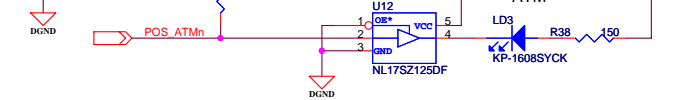
EEPROM WRITE IS AVAILABLE IN PMC1 ONLY

I2C ADDRESS:
"1010,A2,A1,A0"
PMC0 = 52H, PMC1 = 56H

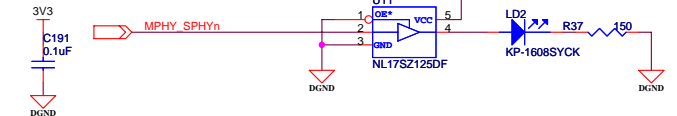
BRD EEPROM

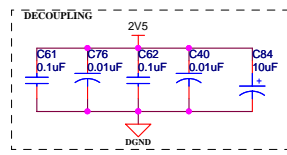
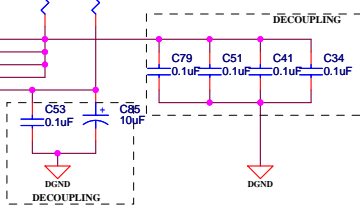
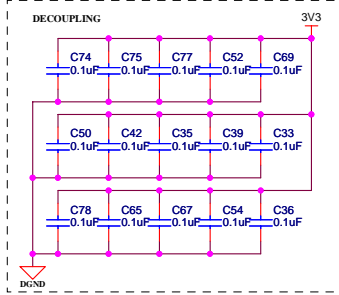
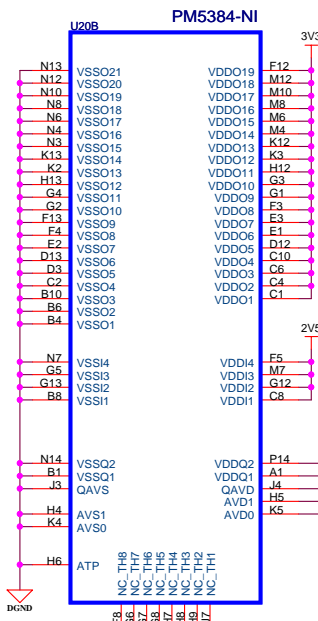
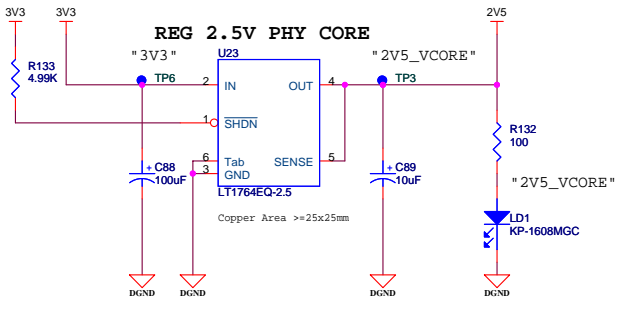
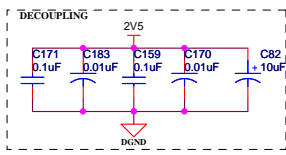
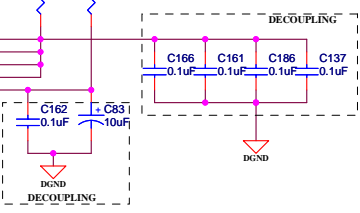
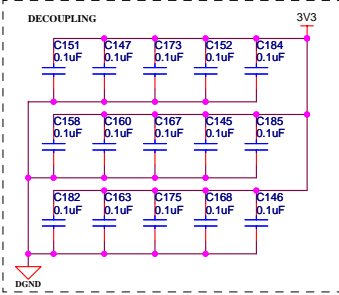
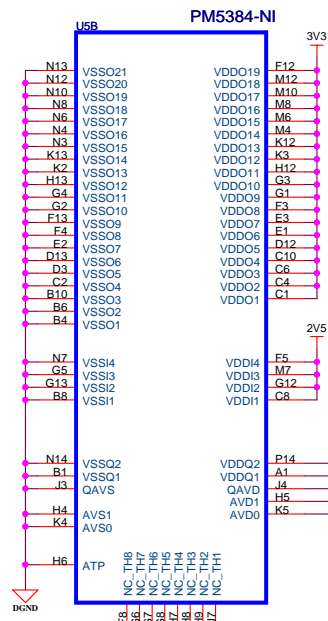


ATM



MPHY





| | | | |
|-------------------------------------|-------------------------|--------------------|----------|
| Freescale Semiconductor Israel Ltd. | | | |
| Metrowerks Israel | | | |
| Title | | PQ-MDS-QOC3 | |
| Size A3 | Document Number | POWER 1,2 | |
| Date: | Tuesday, April 04, 2006 | Sheet | 11 of 12 |

