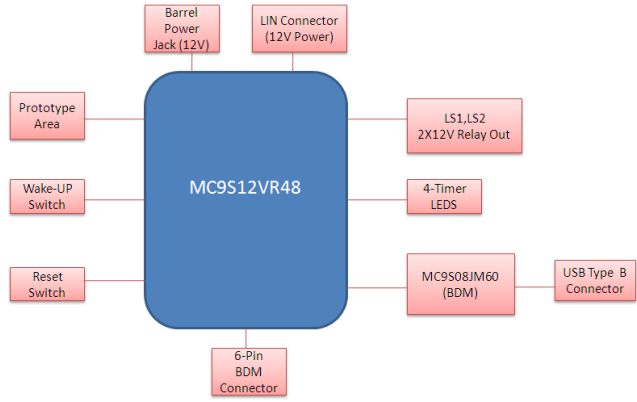




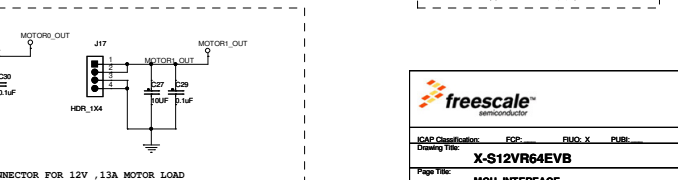
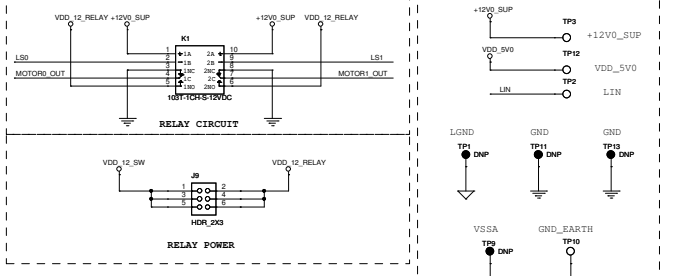
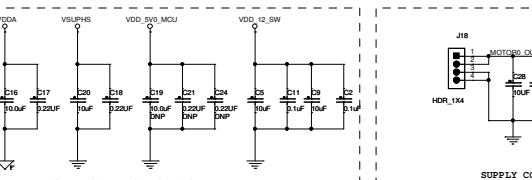
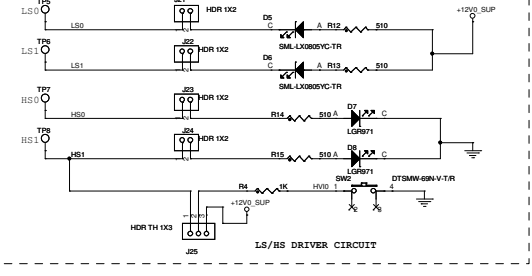
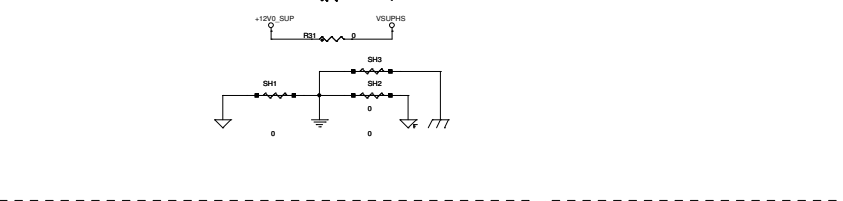
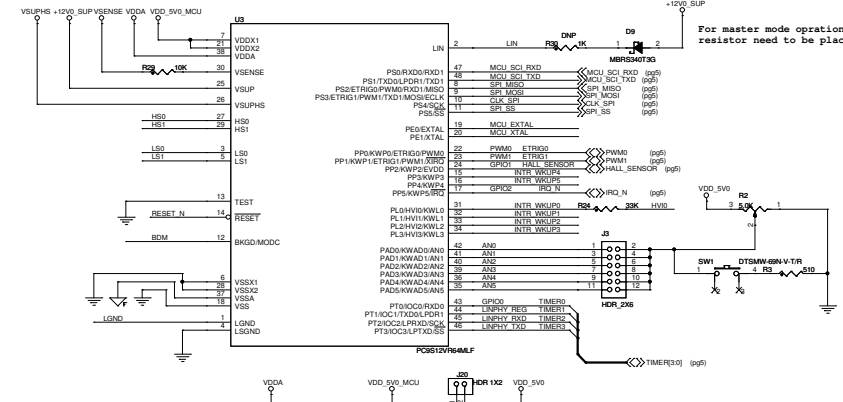
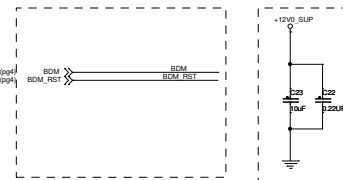
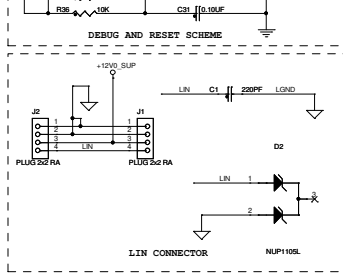
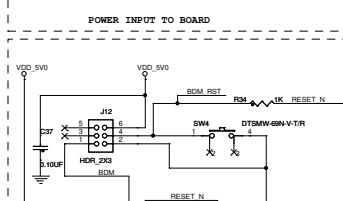
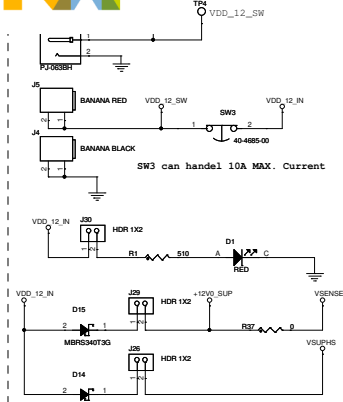
Revision	Date	Description	
X1	11/19/2010	Initial Draft	Vikas
X2	11/24/2010	1. USB Section updates. 2. MCU Section updates.	Vikas
X3	11/26/2010	1. Connector Section added.	Vikas
X4	11/29/2010	1. Schematics updates	Vikas
X5	11/30/2010	1. Bulk and Decoupling CAPS C19, C20, C21, C22,C23 added in the design. 2. Schematics updates 3. J9 removed from the design.	Vikas
X6	12/02/2010	1. Relay is Added to the design	Vikas
X7	12/03/2010	1. U3 Reset Pin is Pulled High 2. U1, 17 IRQ Pin is Pulled High	Vikas
X8	12/08/2010	1. USB_RESET_N is changes to USB_RESET_X 2. R37 is changed to 10K	Vikas
X9	12/13/2010	1. JP11, JP12, JP13,JP14,R38 & TP38 are added in the design.	Vikas
X10	12/15/2010	1. JP5 Pin1 and 2 are Swapped 2. R34 is changed to 1K	Vikas
A	12/17/2010	1.Schematics Release by A085	Vikas
AX1	01/31/2011	1. BDM header (J12) is updated:- Same as J9 2. JP7, JP8, JP10,R33 :- Removed 3. Old OSBDM is updated with JM60 based OSBDM circuit. 4. TP1, TP9, TP1, TP13 is replaced with TH TPS. In old rev. they are SMD	Vikas
	03/09/2011	5. Following Refdes is changed JP1 Changed to J21 JP2 Changed to J22 JP3 Changed to J23 JP4 Changed to J24 JP5 Changed to J25 JP6 Changed to J26 JP9 Changed to J29 JP11 Changed to J30 JP12 Changed to J20 JP13 Changed to J27 JP14 Changed to J28	
	03/11/2011	6. SW3 changed to 40-4685-00.(Smaller in Size) 7. Additions:- 5V Regulator U14(LM2937IMP-5.0/NOPE) and related circuitry RS232 Trasvr. U13 (MAX232ACSE+) and related circuitry	
		8. J25 Pin1 and 2 are Swapped 9. C1 changed to 220PF	
AX2	03/15/2011	1. U5, Pin2 is connected to VDD_5V0, 2.J19, S1,S2,S3 & S4 is connected to GND_EARTH	

Revision	Date	Description	
AX3	03/16/2011	MAX232 Circuit update.	Vikas
B	03/23/2011	A085 RELEASE	Vikas

		Microcontroller Solutions Group 6201 Wilshire Canyon Drive West Austin, TX 78735-6996	
<small>This document contains information proprietary to Freescale Semiconductor and shall not be used for engineering design, procurement or manufacture in whole or in part without the express written permission of Freescale Semiconductor.</small>			
Designer: Vikas Kumar(LAT)	Drawing Title: X-S12VR64EVB	ICAP Classification: FCP:	PUC: X PUR:
Drawn by: Vikas Kumar(LAT)	Page Title: TITLE PAGE		
Approved: Fikser Jermol	Size: C	Document Number: SCH-28927 PDF: SFF-28927	Rev: B
Date: Friday, March 25, 2011		Sheet 1 of 5	



ICAP Classification:	FDP: FUC: X PUR:
Drawing Title:	X-S12VR64EVB
Page Title:	BLOCK DIAGRAM
Doc C	Document Number SCH-26927 PDF: SPF-26927
Date:	Friday, March 26, 2011 1 Sheet 2 of 5



freescale
semiconductor

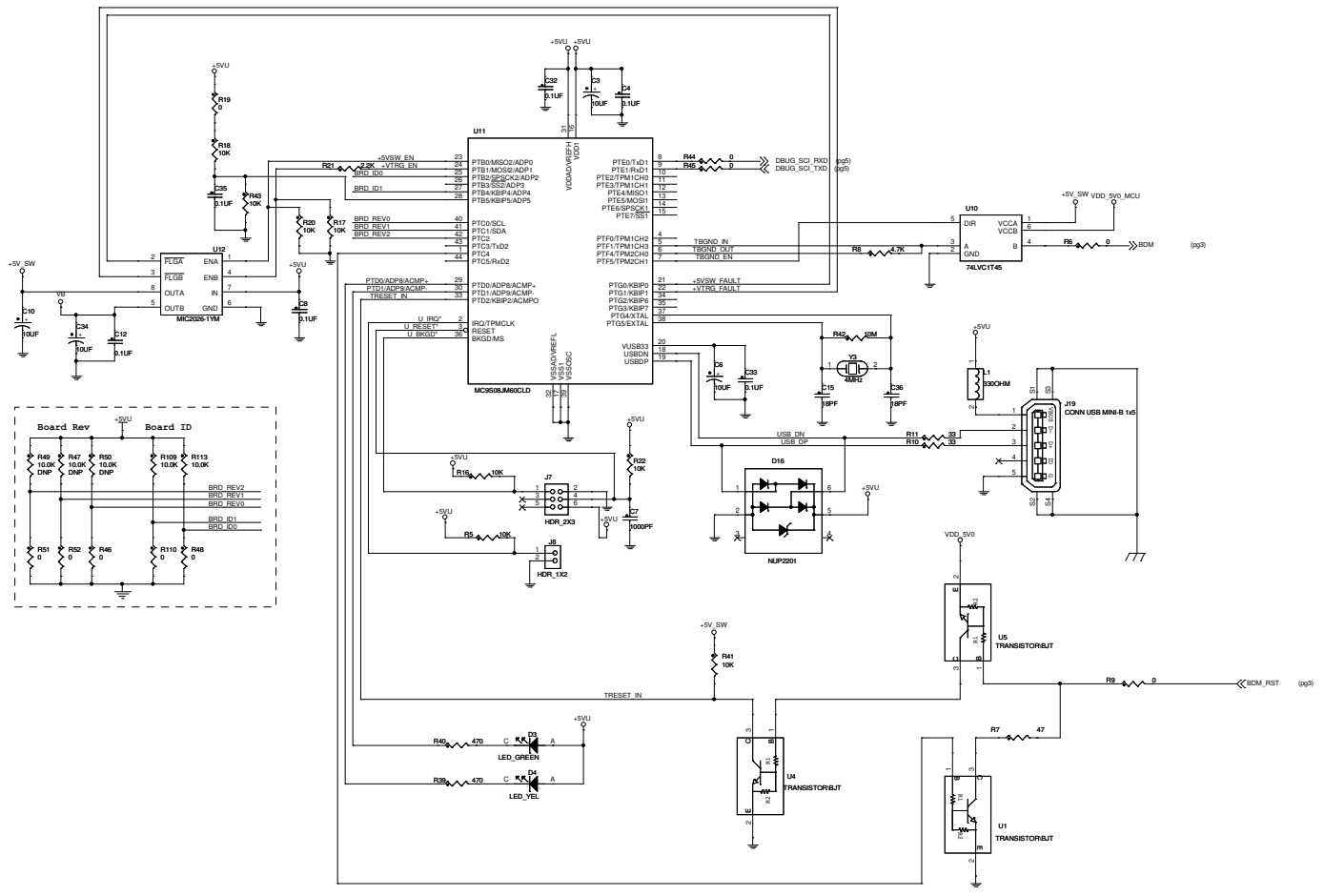
ICAP Classification: FCP, RUC, X, PUR

Drawing Title: **X-S12VR64EVB**

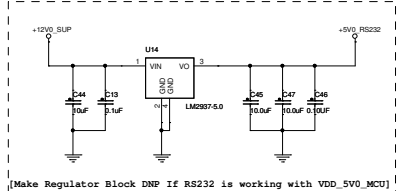
Page 166:

MCU INTERFACE

Size C	Document Number	SCH-26927 PDF: SPF-26927	Rev B
Date:	Friday, March 26, 2011	1 Sheet	3 of 5

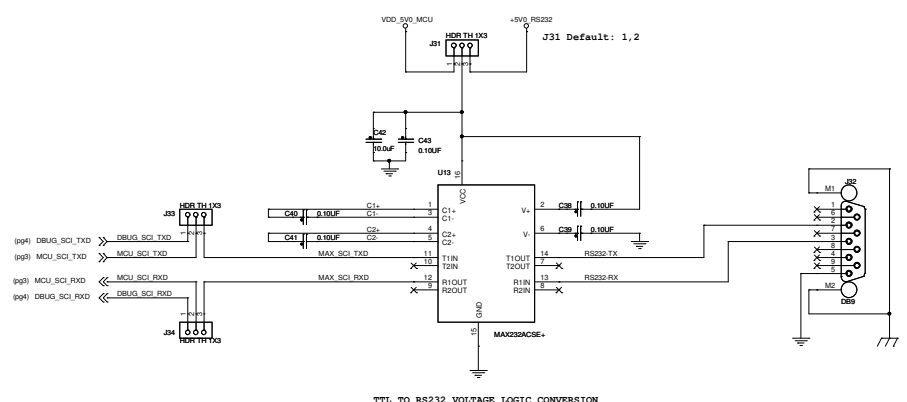


freescale semiconductor	
ICAP Classification:	FCC: RUC, X PUR
Drawing Title:	X-S12VR64EV
Page Title:	USB OSBDM
Doc	Document Number
C	SCH-26927 PDF: SPF-26927
Doc	Friday, March 26, 2011
	1 Sheet 4 of 5
	Rev B

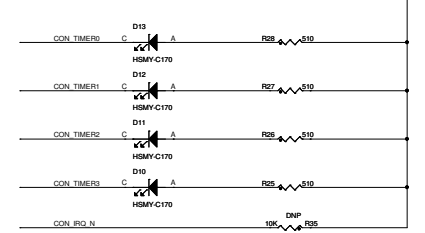
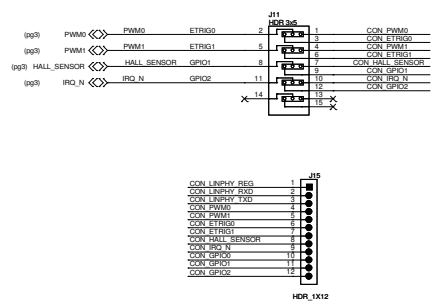
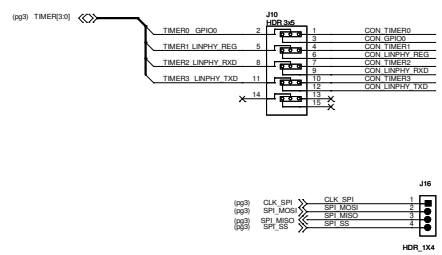


[Make Regulator Block DNP If RS232 is working with VDD_5V0_MCU]

5V, 500mA voltage Regulator (LDO)



TTL to RS232 VOLTAGE LOGIC CONVERSION



CONNECTORS, STATUS LEDS AND HEADRS

freescale
semiconductor

ICAP Classification: FOC: ENO: X: PUS:

Drawing Title: **X-S12VR64EVB**

Page Title: **UART CONNECTORS**

Doc C	Document Number SCH-26927	PDF: SFF-26927	Rev B
Date	Friday, March 26, 2011	Sheet 5	of 5