


**Table of Contents**

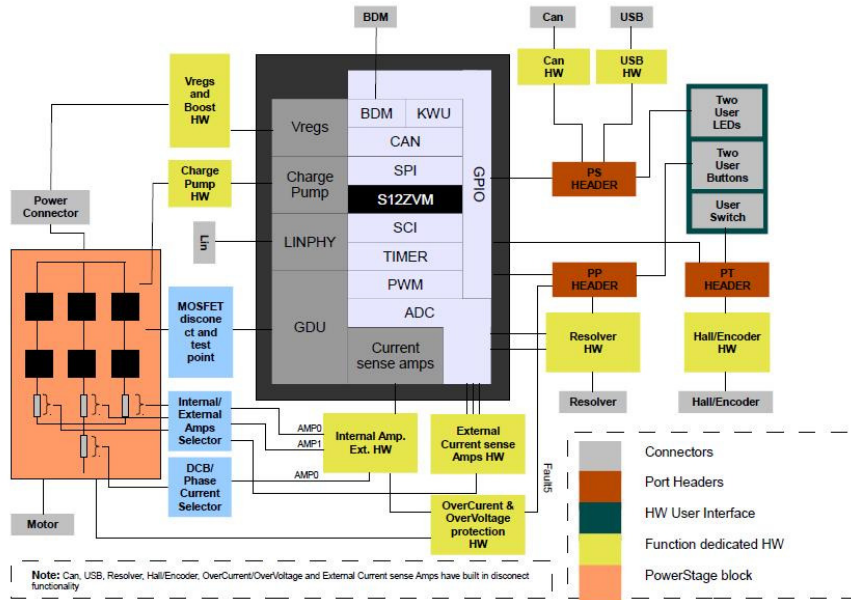
1	Title Page
2	Notes
3	9S12ZVM MCU
4	POWER INPUT / MOTOR OUTPUTS
5	SCI / CAN / LIN
6	RESOLVER INTERFACE
7	ANALOG SENSE
8	FAULT
9	OSBDM

**Revisions**

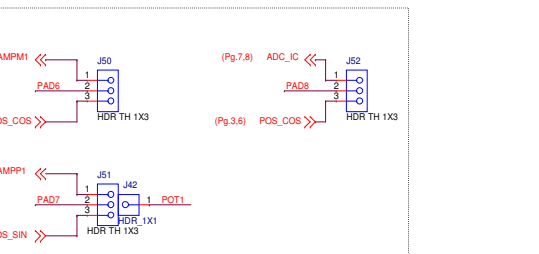
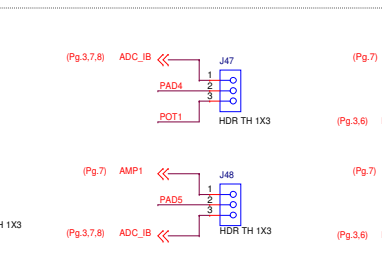
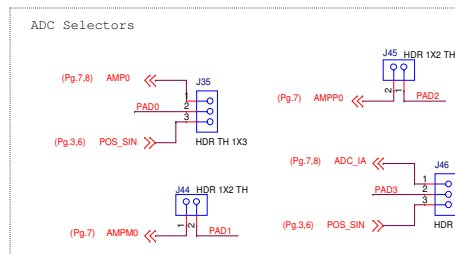
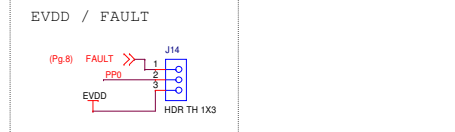
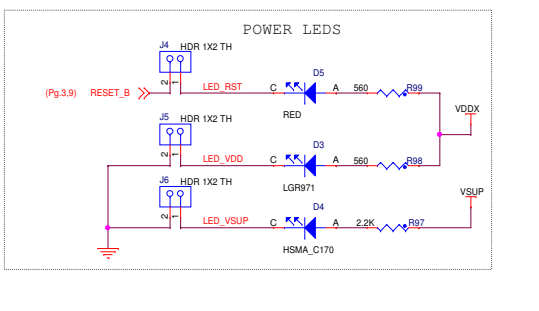
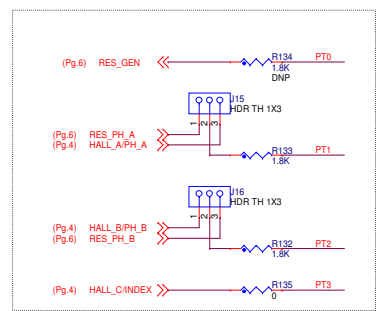
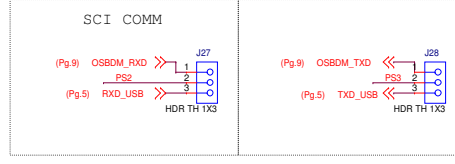
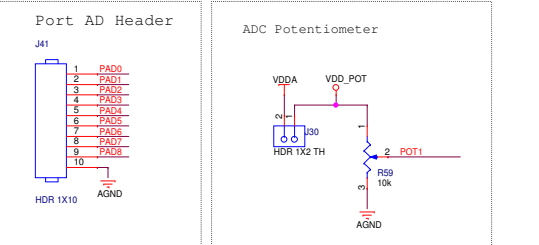
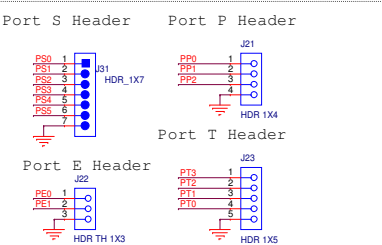
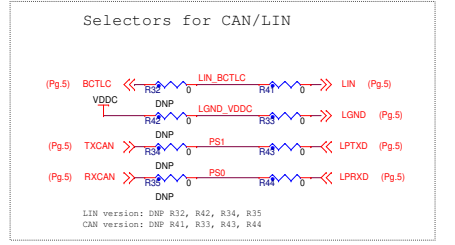
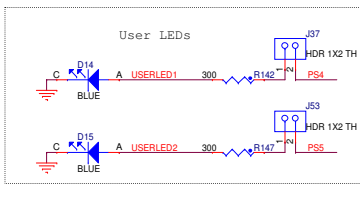
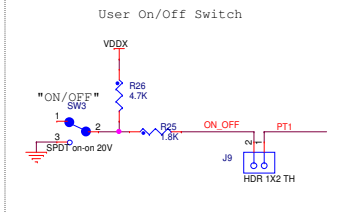
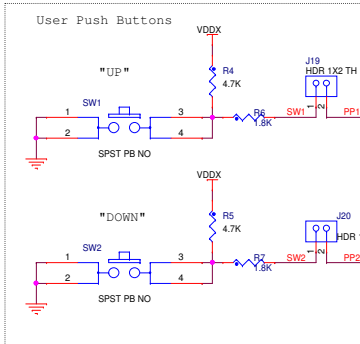
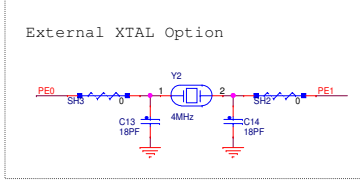
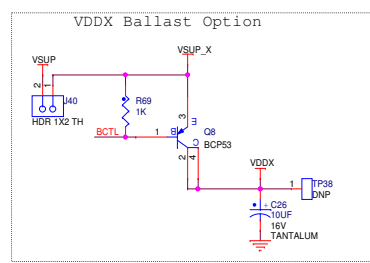
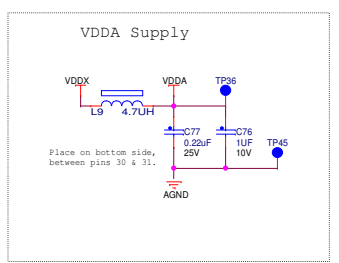
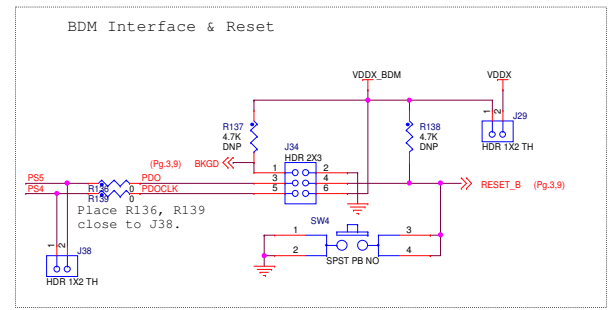
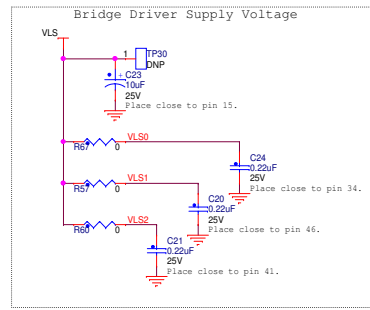
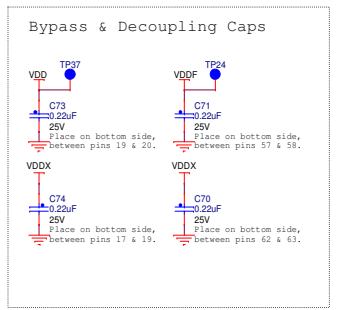
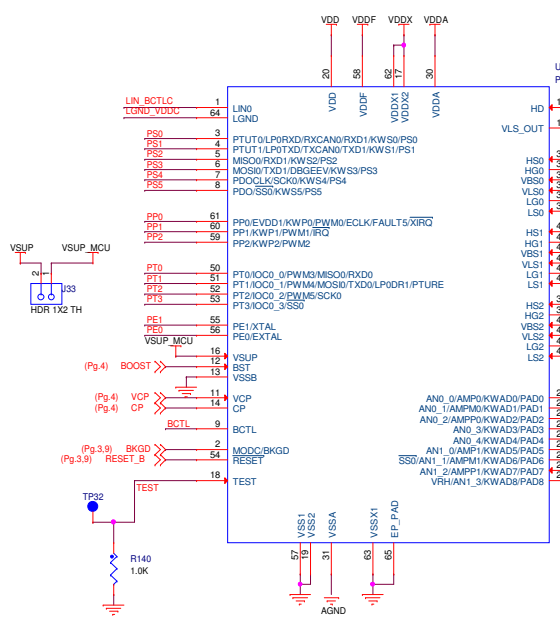
Rev	Description	Date	Approved
A	Original Release	Nov-05-2014	T. MARTINEZ R.
A1	Add DNF label on J8	Feb-10-2015	T. MARTINEZ R.
A2	BOM updated	July-06-2016	Alejandro C.

		<b>Automotive Product Group</b> 6501 William Cannon Drive West Austin, TX 78735-8598	
<small>This document contains information proprietary to NXP and shall not be used for engineering design, procurement or manufacture in whole or in part without the express written permission of NXP Semiconductors.</small>			
Designer: C.VAZQUEZ G.		Drawing Title: <b>S12ZVM32EVB</b>	
Drawn by: ALEJANDRO C.		Page Title: <b>TITLE PAGE</b>	
Approved: JESUS S.	Size C	Document Number SCH-28636 PDF: SPF-28636	Rev A2
Date: Monday, July 18, 2016 Sheet 1 of 9			

- Unless Otherwise Specified:  
 All resistors are in ohms, 5%, 1/8 Watt  
 All capacitors are in uF, 20%, 50V  
 All voltages are DC  
 All polarized capacitors are aluminum electrolytic
- Interrupted lines coded with the same letter or letter combinations are electrically connected.
- Device type number is for reference only. The number varies with the manufacturer.
- Special signal usage:  
 \_B Denotes - Active-Low Signal  
 <> or [] Denotes - Vectored Signals
- Interpret diagram in accordance with American National Standards Institute specifications, current revision, with the exception of logic block symbology.

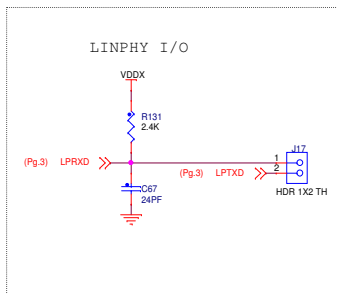
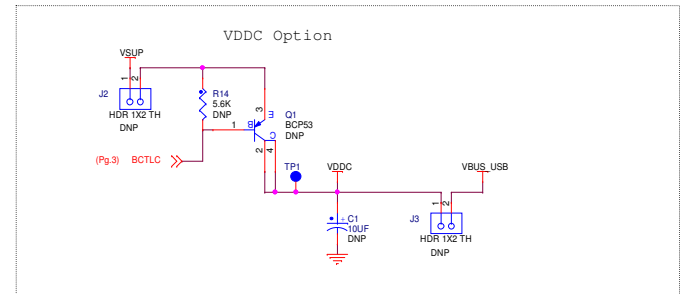
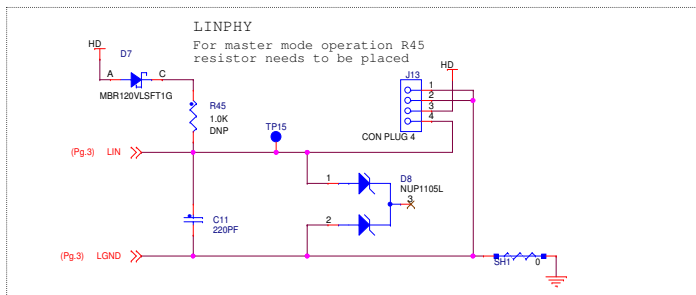
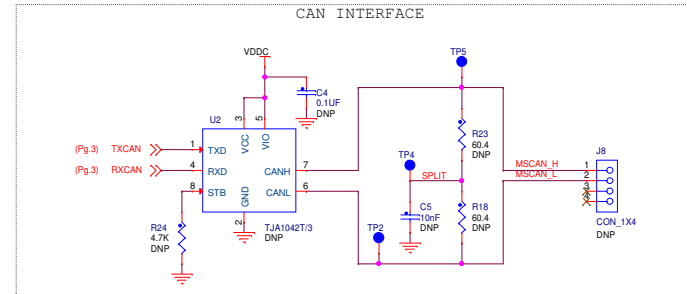
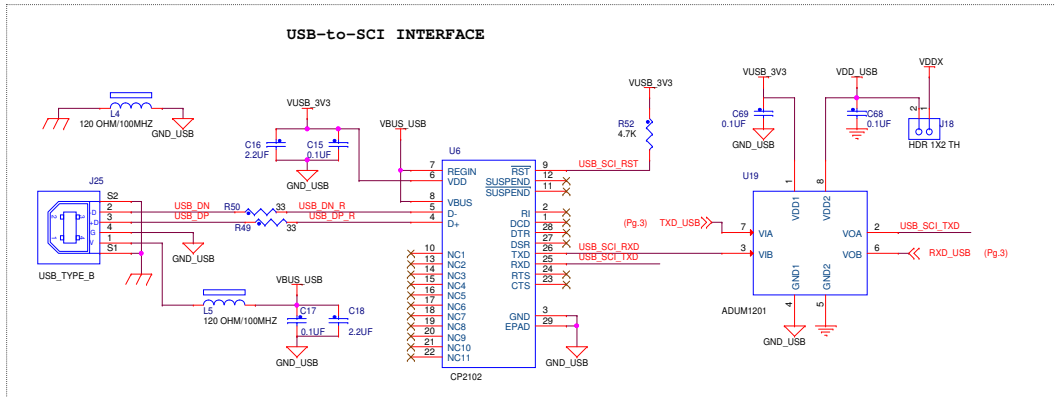


		<b>Automotive Product Group</b> 6501 William Cannon Drive West Austin, TX 78735-8588	
This document contains information proprietary to NXP and shall not be used for engineering design, procurement or manufacture in whole or in part without the express written permission of NXP Semiconductors.			
		ICAP Classification: CP: IUD: X PUB:	
Designer: C.VAZQUEZ G.	Drawing Title: <b>S12ZVM32EVB</b>		
Drawn by: ALEJANDRO C.	Page Title: <b>NOTES</b>		
Approved: JESUS S.	Size C	Document Number SCH-28636 PDF: SPF-28636	Rev A2
Date: Monday, July 18, 2016		Sheet 2 of 9	



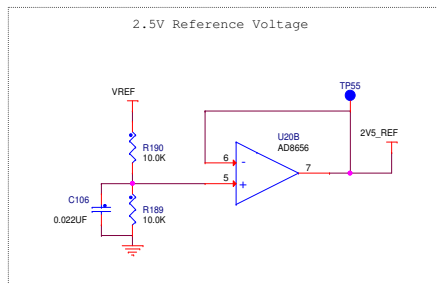
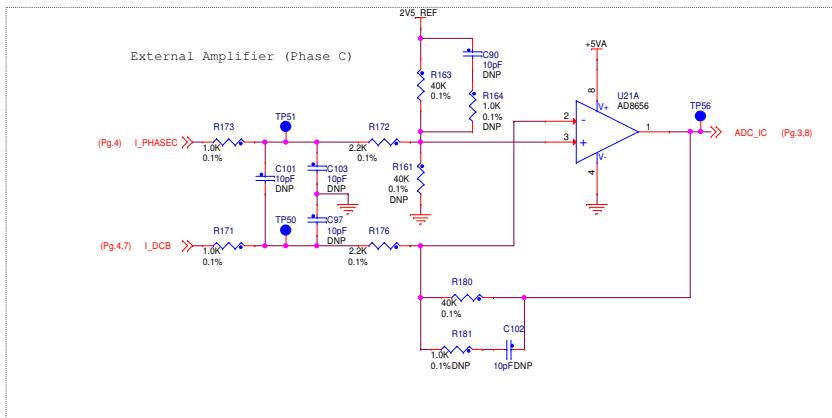
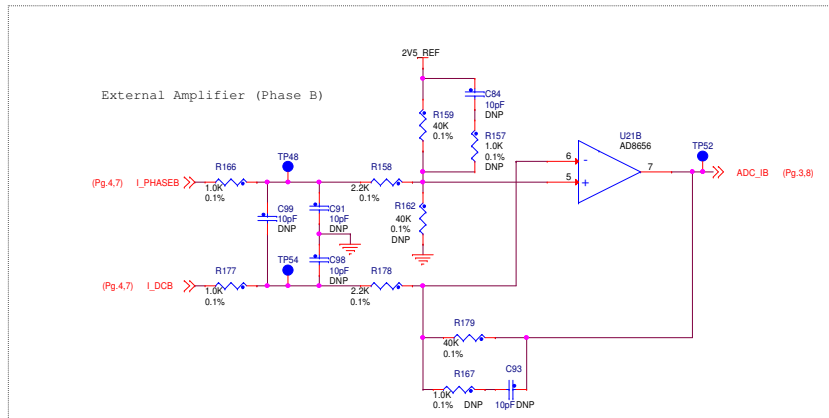
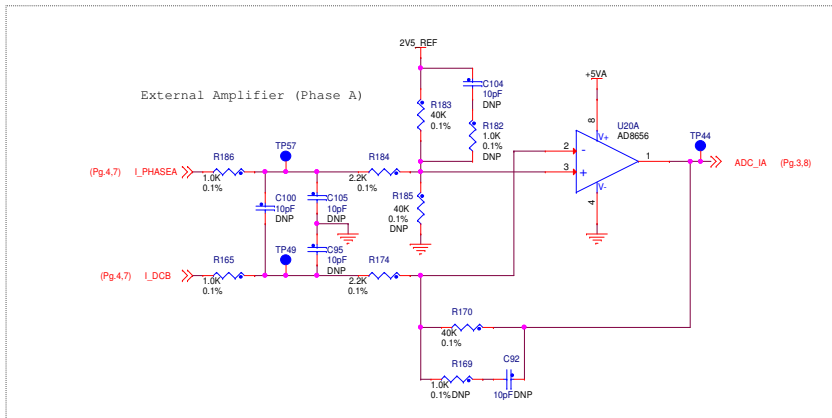
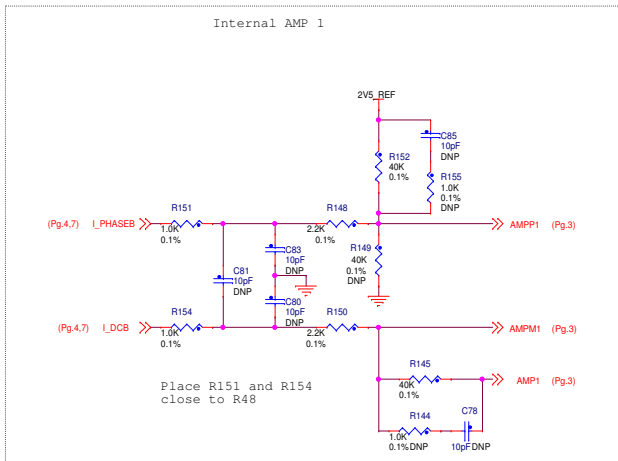
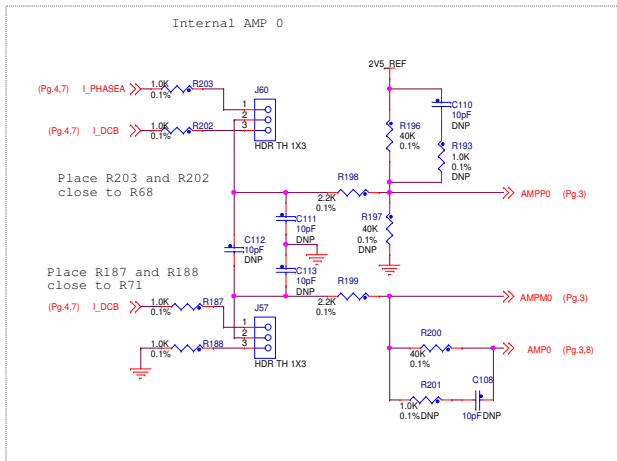
		<b>Automotive Product Group</b> 6501 William Cannon Drive West Austin, TX 78735-8586	
		This document contains information proprietary to NXP and shall not be used for engineering design, procurement or manufacture in whole or in part without the express written permission of NXP Semiconductors.	
Designer: C.VAZQUEZ G.	Drawing Title: <b>S12ZVM32EVB</b>	ICAP Classification: CP	IUD: X PUB:
Drawn by: ALEJANDRO C.	Page Title: <b>S12ZVM32 MCU</b>	Approved: JESUS S.	
Size C	Document Number SCH-28636 PDF: SPF-28636	Date: Monday, July 18, 2016	Rev A2



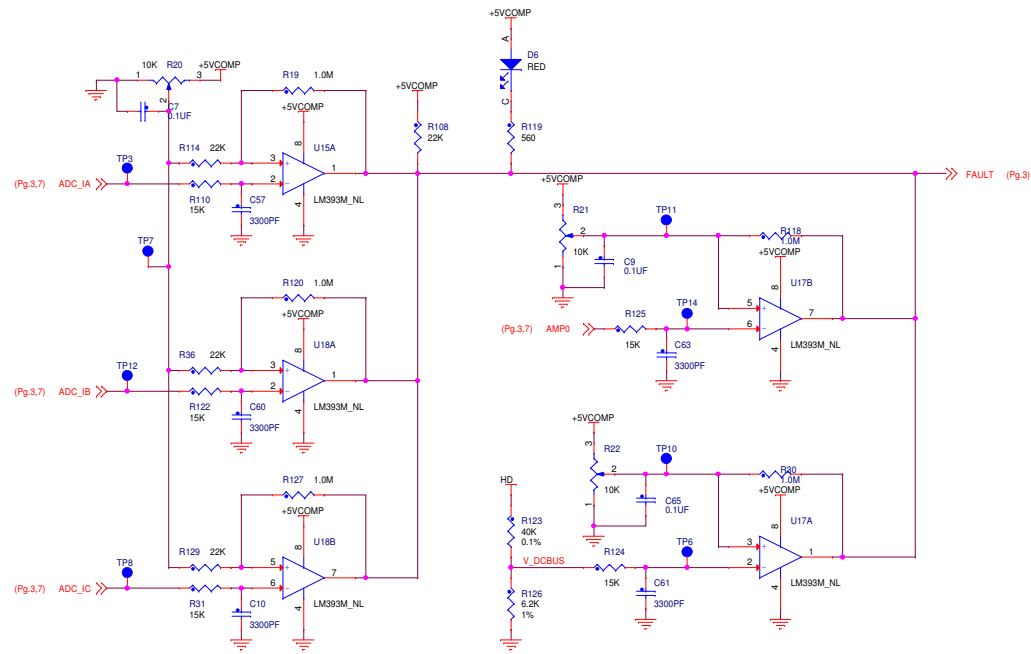



		<b>Automotive Product Group</b> 6501 William Cannon Drive West Austin, TX 78735-8598	
This document contains information proprietary to NXP and shall not be used for engineering design, procurement or manufacture in whole or in part without the express written permission of NXP Semiconductors.			
		ICAP Classification: CP:	IUD: X PUBL:
Designer: C.VAZQUEZ G.	Drawing Title: <b>S12ZVM32EVB</b>		
Drawn by: ALEJANDRO C.	Page Title: <b>SCI / CAN / LIN</b>		
Approved: JESUS S.	Size C	Document Number SCH-28636 PDF: SPF-28636	Rev A2
Date: Monday, July 18, 2016		Sheet 5	of 9



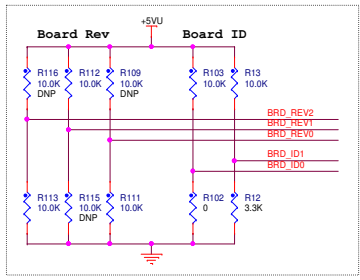
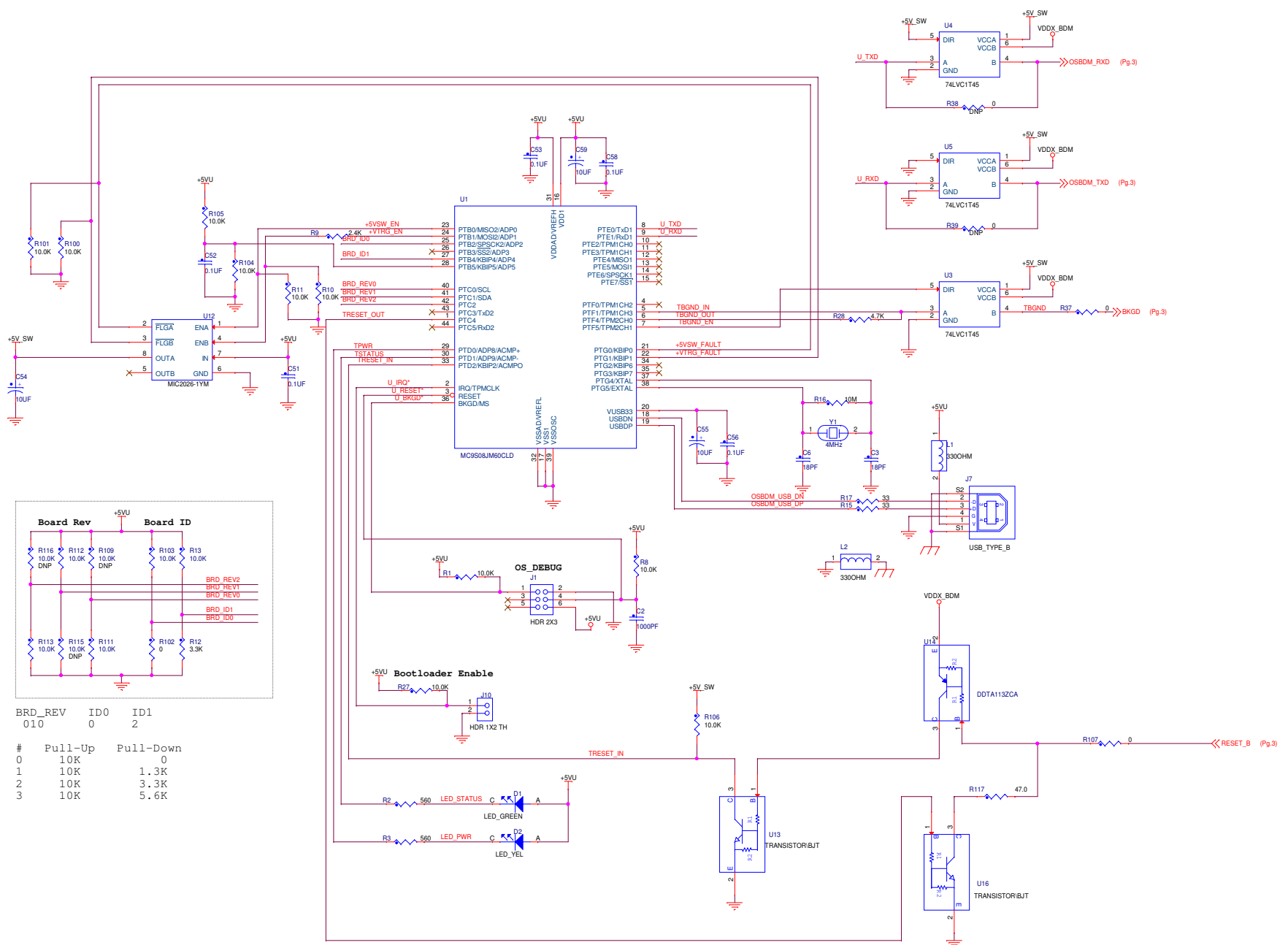


		<b>Automotive Product Group</b> 6501 William Cannon Drive West Austin, TX 78735-8588	
		<small>This document contains information proprietary to NXP and shall not be used for engineering design, procurement or manufacture in whole or in part without the express written permission of NXP Semiconductors.</small>	
Designer: C.VAZQUEZ G.		ICAP Classification: CP IUD: X PUB:	
Drawn by: ALEJANDRO C.		<b>S12ZVM32EVB</b>	
Approved: JESUS S.		<b>ANALOG SENSE</b>	
Size C	Document Number SCH-28636 PDF: SPF-28636	Rev A2	Date: Monday, July 18, 2016
Sheet 7 of 9		Rev A2	



		<b>Automotive Product Group</b> 6501 William Cannon Drive West Austin, TX 78735-8598	
		<small>This document contains information proprietary to NXP and shall not be used for engineering design, procurement or manufacture in whole or in part without the express written permission of NXP Semiconductors.</small>	
Designer: C.VAZQUEZ G.		ICAP Classification: CP: IUD: X PUB:	
Drawn by: ALEJANDRO C.		<b>S12ZVM32EVB</b>	
Approved: JESUS S.		<b>FAULT</b>	
Size C	Document Number SCH-28636 PDF: SPF-28636	Rev A2	Date: Monday, July 18, 2016
Sheet 8 of 9		Page 1 of 1	





BRD_REV	ID0	ID1
010	0	2

#	Pull-Up	Pull-Down
0	10K	0
1	10K	1.3K
2	10K	3.3K
3	10K	5.6K

		<b>Automotive Product Group</b> 6501 William Cannon Drive West Austin, TX 78735-8598	
		<small>This document contains information proprietary to NXP and shall not be used for engineering design, procurement or manufacture in whole or in part without the express written permission of NXP Semiconductors.</small>	
Designer: C.VAZQUEZ G.		ICAP Classification: CP IUD: X PUB:	
Drawn by: ALEJANDRO C.		<b>S12ZVM32EVB</b>	
Approved: JESUS S.		<b>OSBDM</b>	
Size C	Document Number SCH-28636 PDF: SPF-28636	Rev A2	Date: Monday, July 18, 2016