



Table of Contents

TITLE PAGE

2	NOTES
3	SENSOR - MMA6900Q

Revisions

Rev	Description	Date	Approved
A	First release	19-Jan-10	P. Lajsner



Microcontroller Solutions Group

6501 William Cannon Drive West
Austin, TX 78735-8598

This document contains information proprietary to Freescale Semiconductor and shall not be used for engineering design, procurement or manufacture in whole or in part without the express written permission of Freescale Semiconductor.


ICAP Classification: FCP: FIUO: X PUBI:

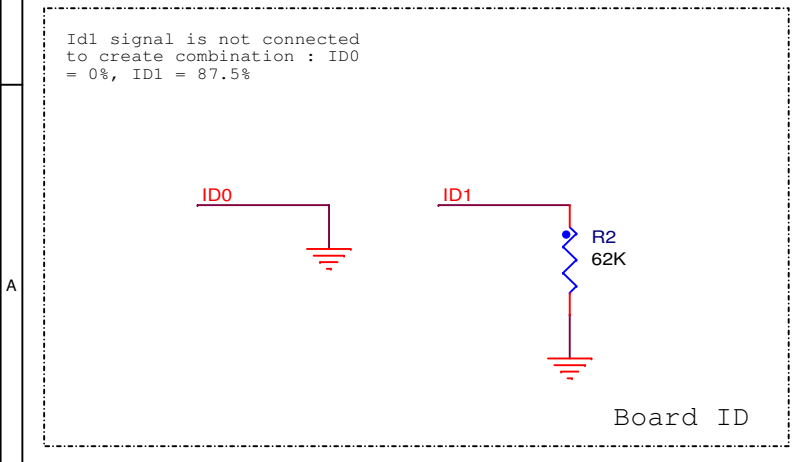
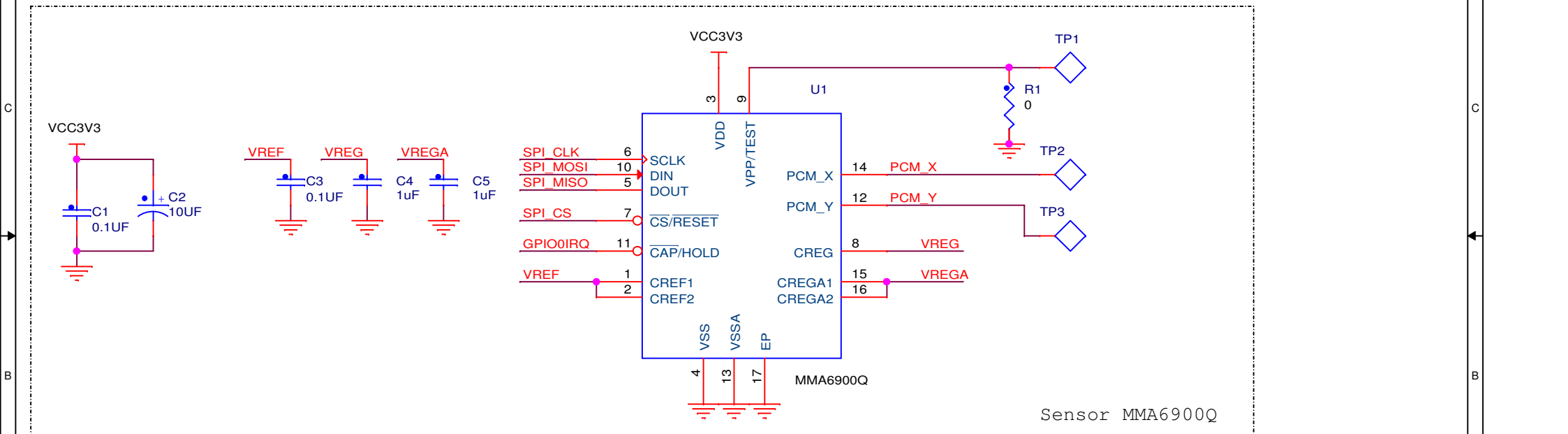
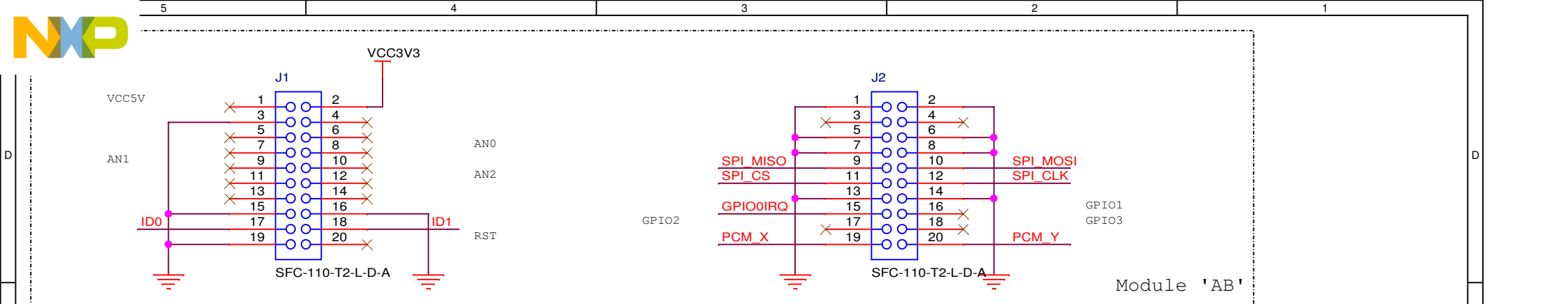
Designer: Petr Gargulak	Drawing Title: TWRPI-MMA6900		
Drawn by: Petr Gargulak	Page Title: TITLE PAGE		
Approved: Clark Jarvis	Size A	Document Number SCH-26497 PDF: SPF-26497	Rev A
Date: Tuesday, April 05, 2011		Sheet 1 of 3	

	5	4	3	2	1
D					
C					
B					
A					
	5	4	3	2	1



NOTES:

		
ICAP Classification: FCP: ____ FIUO: X PUBI: ____		
Drawing Title: <p style="text-align: center;">TWRPI-MMA6900</p>		
Page Title: <p style="text-align: center;">NOTES</p>		
Size A	Document Number SCH-26497 PDF: SPF-26497	Rev A
Date: Tuesday, April 05, 2011		Sheet 2 of 3



ICAP Classification: FCP: _____ FIUO: X PUBI: _____		
Drawing Title: TWRPI-MMA6900		
Page Title: SENSOR - MMA6900Q		
Size A	Document Number SCH-26497 PDF: SPF-26497	Rev A
Date: Tuesday, April 05, 2011	Sheet 3 of 3	