



Table of Contents

DIAGRAM

| | |
|---|-----------------------|
| 5 | MEMORY CONTROLLER I/O |
| 6 | MEMORY |
| 7 | DC TO MB CONNECTOR |
| 8 | CLOCK & RESET CIRCUIT |

| Revisions | | | |
|-----------|---|-------------|----------------|
| Rev | Description | Date | Approved |
| X1 | Initial Release | 11-Feb-2013 | Hillier Curtis |
| X2 | Title Page corrections | 12-Feb-2013 | Hillier Curtis |
| X3 | 1. VDD_LV_BD power net and decaps Removed 2. Nexus Interface connector added 3. Single node nets updated 4. EBI_TS and RS_WP* changed to EBI_TS_B and RS_WP*_B | 19-Feb-2013 | Hillier Curtis |
| X4 | 1. VDD_HV_IO_BD and VDD_LV_BD power pin added as ref of BGA512_ED and Decaps added. 2. TX[0..3]_P/N and CLK_P/N added as referenced to BGA512_ED pin assignments 3. Series cap 10pF changed to 20pF in CLK_P/N net 4. Pin 1 of P1 and P2 connected to 3.3V_SR 5. Test point connected to EBI_BDIP | 20-Feb-2013 | Hillier Curtis |
| A | 1. Re-Sequenced 2. Jumper added for mictor connector GND 3. Diff CLK AC coupling cap value changed to 100PF 4. Proto Release | 07-Mar-2013 | Hillier Curtis |
| AX1 | 1. Nets (WE0/BE0_B, WE1/BE1_B, WE2/BE2_B, WE3/BE3_B and EBI_WE_B) changed to (EBI_ADDR8, EBI_ADDR9, EBI_ADDR10, EBI_ADDR11 and EBI_RD_WR) respectively. 2. Other address nets also updated as per the document. 3. At P1 address and cont signals connection changed 4. MCU PD version changed to ED | 08-May-2013 | Hillier Curtis |
| B | A085 Release | 16-May-2013 | Hillier Curtis |

MPC5777M_512DS

| | | | |
|--|---|---|----------|
| | | Automotive, Industrial & Multi-Market Solutions Group 6501 William Cannon Drive West Austin, TX 78735-8598 | |
| ICAP Classification: FCP: FIUC: PUB: X | | | |
| Designer: John Paul Frankin | Drawing Title: MPC5777M_512DS | | |
| Drawn by: John Paul Frankin | Page Title: TITLE PAGE | | |
| Approved: Hillier Curtis | Size C | Document Number SCH-27853, SPF-27853 | Rev B |
| Date: Thursday, May 16, 2013 | | Sheet 1 of 8 | |

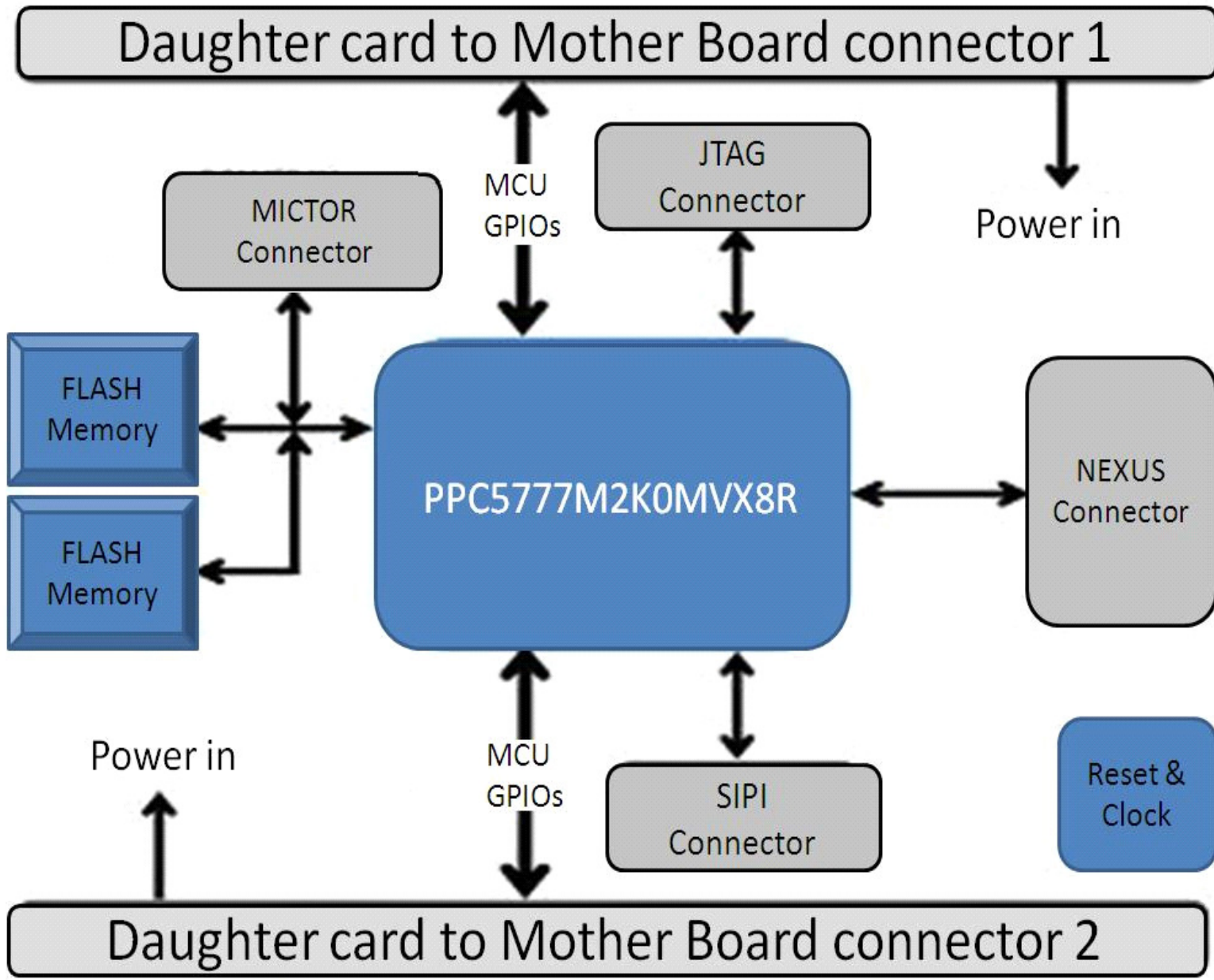


Jumpers are 2mm spaced
port headers are 2.54mm spaced

- All caps are 10% accurate
- All res are 1% accurate

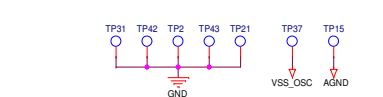
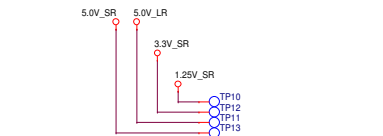
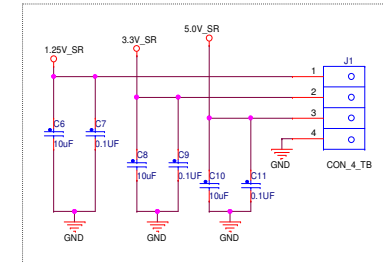
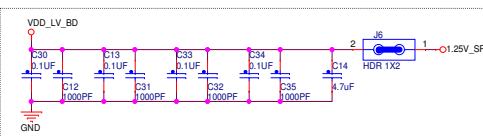
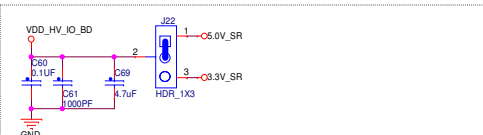
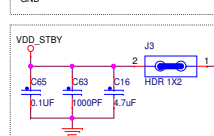
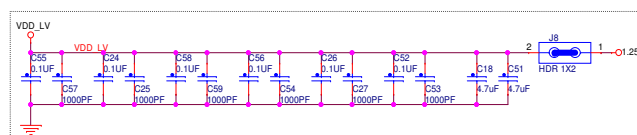
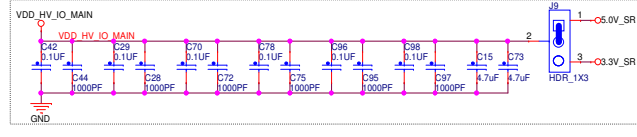
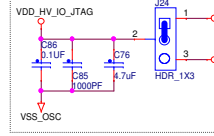
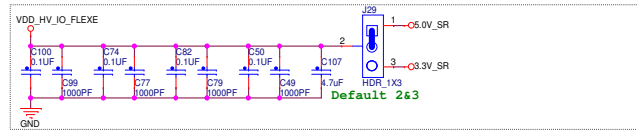
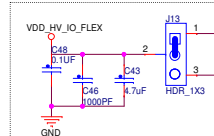
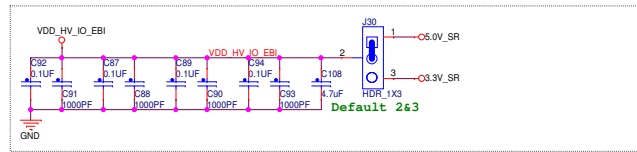
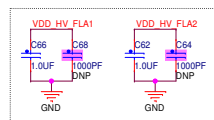
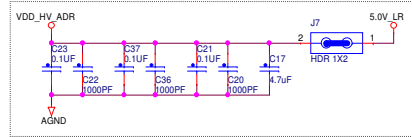
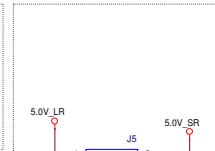
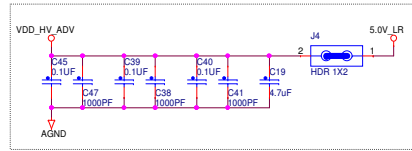
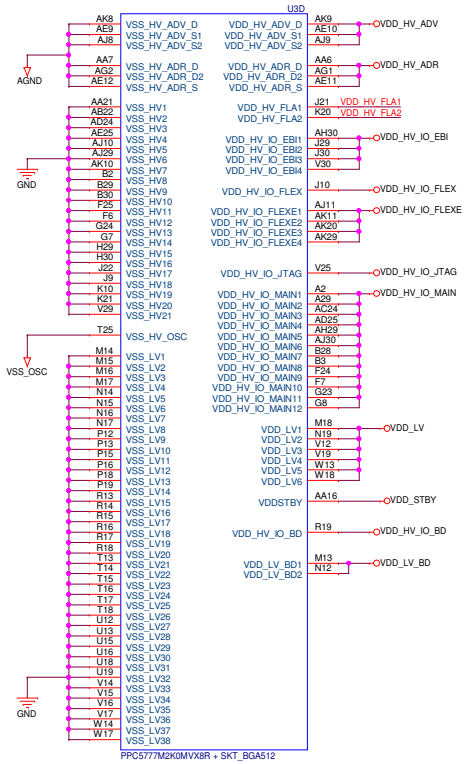


| | | |
|---|---|----------|
| ICAP Classification: FCP: _____ FIUO: X PUBL: _____ | | |
| Drawing Title: MPC577M_512DS | | |
| Page Title: NOTES | | |
| Size C | Document Number SCH-27853, SPF-27853 | Rev B |
| Date: Thursday, May 16, 2013 | Sheet 2 | of 8 |





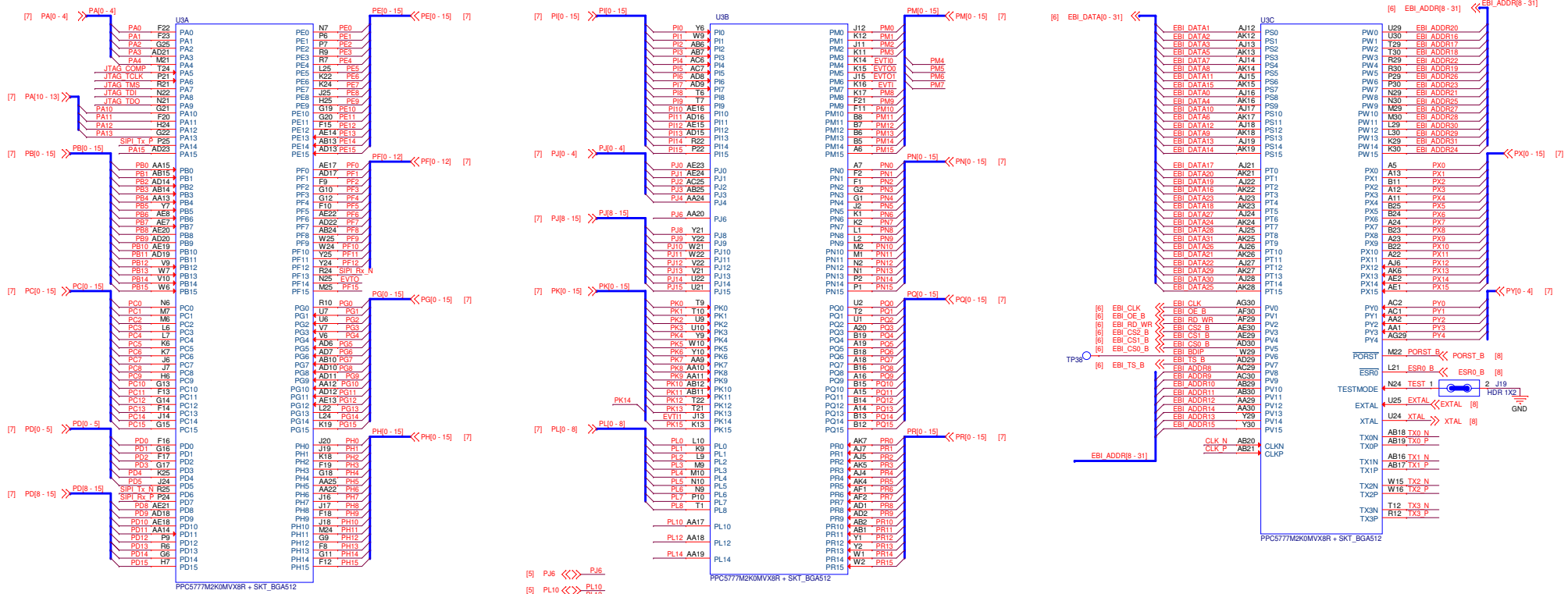
MICROCONTROLLER POWER PINS



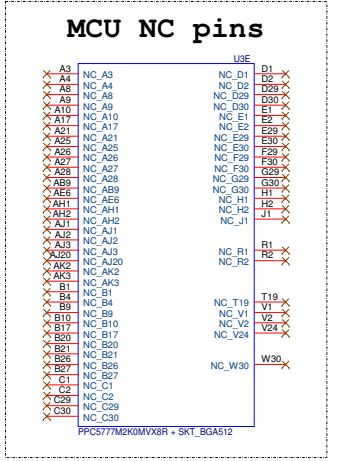
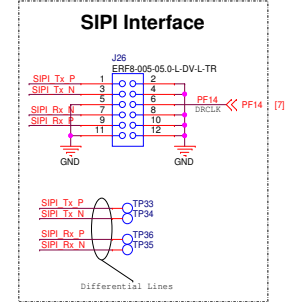
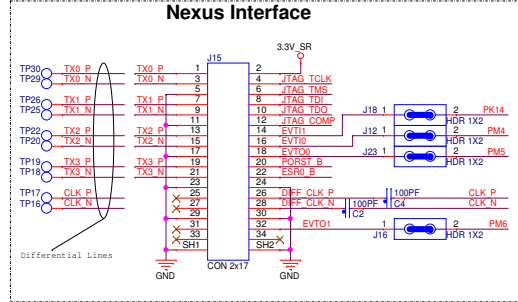
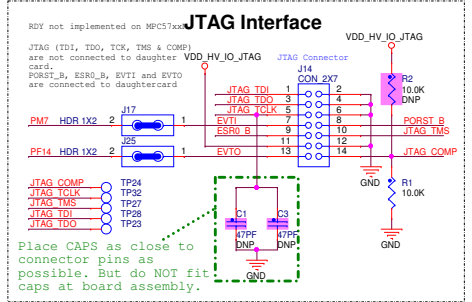
| | | | |
|---|------------------------|----------------------|-------|
| | | | |
| ICAP Classification: FCP: FIUO: X PUBL: | | | |
| Drawing Title: MPC5777M_512DS | | | |
| Page Title: POWER | | | |
| Size C | Document Number | SCH-2785S, SPF-2785S | Rev B |
| Date: | Thursday, May 16, 2013 | Sheet 4 | of 8 |



MICROCONTROLLER PINS

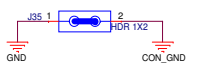
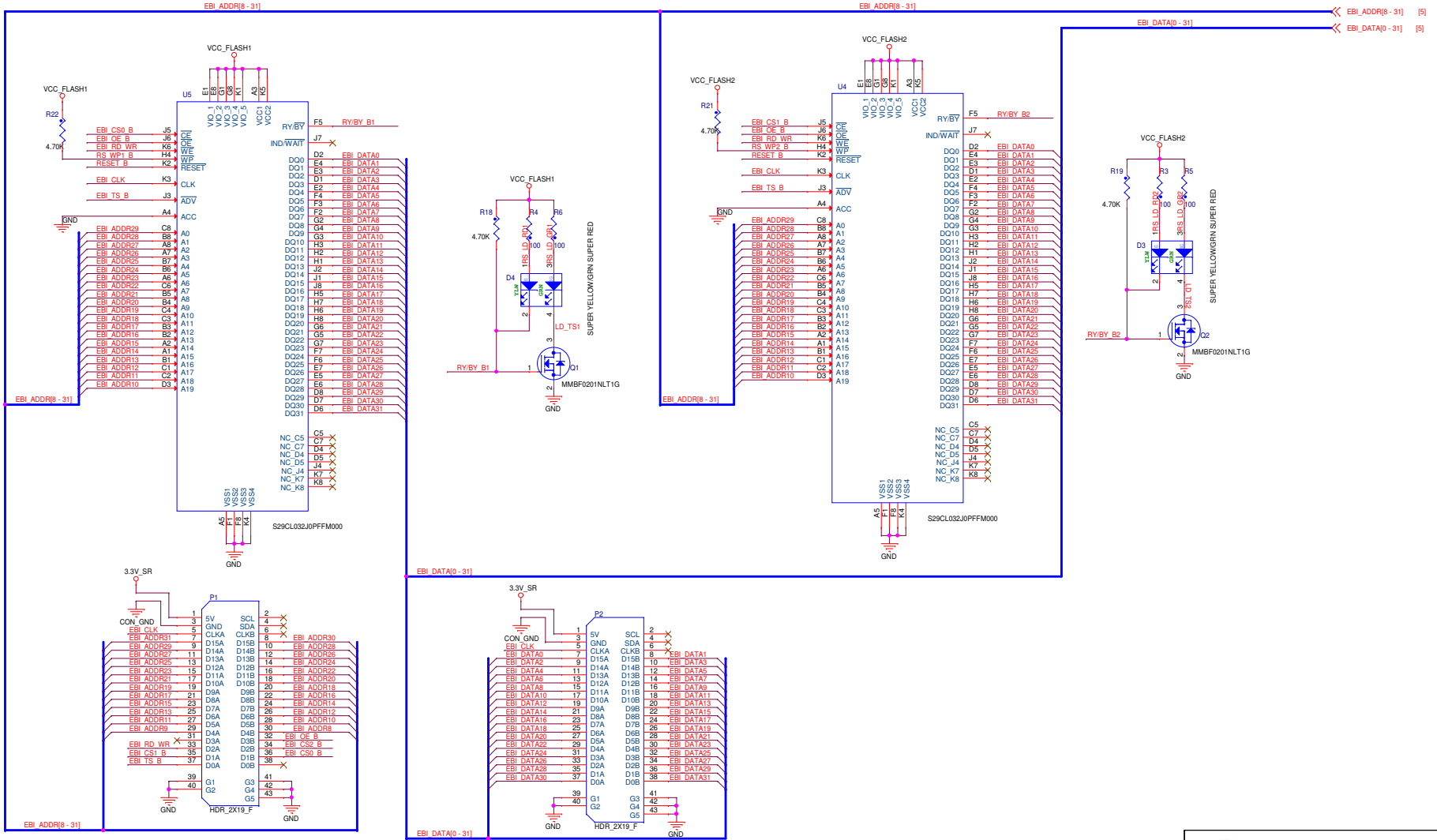
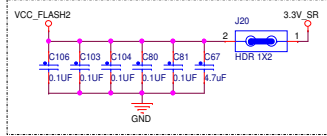
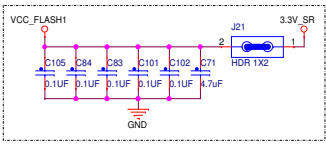
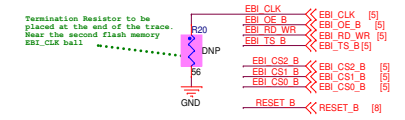


PA15 <<< PA15 [7]
 PF15 <<< PF15 [7]





MEMORY



freescale

ICAP Classification: FCP: FIUO: X PUBL:

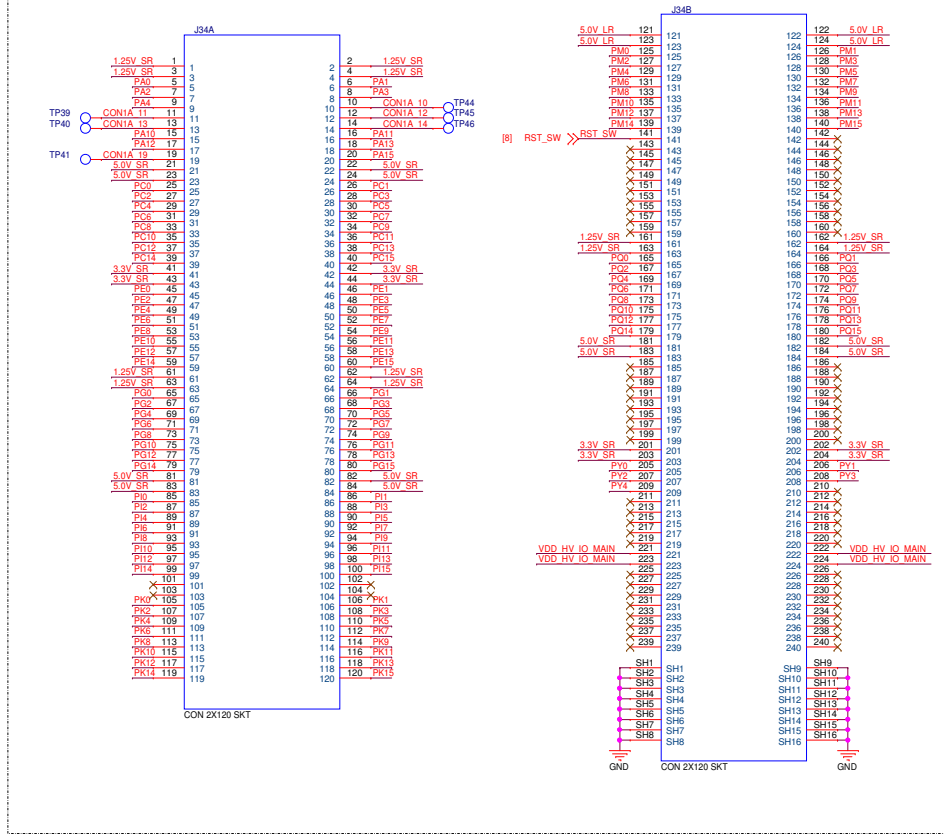
Drawing Title: **MPC5777M_512DS**

Page Title: **MEMORY**

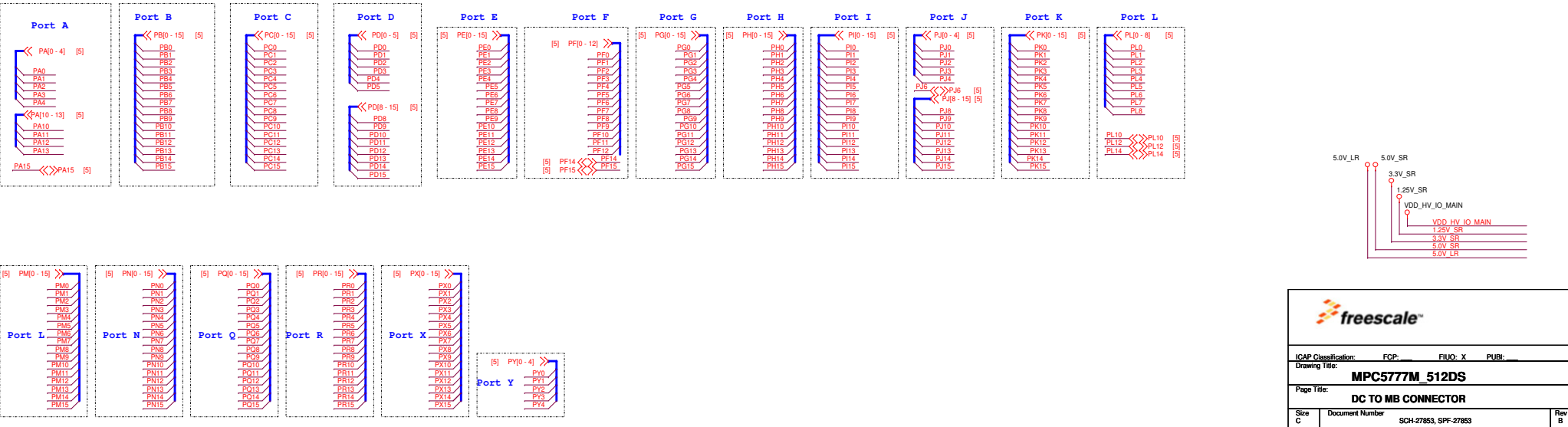
| | | |
|------------------------------|--------------------------------------|-------|
| Size C | Document Number SCH-27855, SPF-27853 | Rev B |
| Date: Thursday, May 16, 2013 | Sheet 6 of 8 | |



DC TO MB CONNECTOR 1



DC TO MB CONNECTOR 2



freescale

ICAP Classification: FCP: FIUO: X PUB:

Drawing Title: **MPC5777M_512DS**

Page Title: **DC TO MB CONNECTOR**

Size C Document Number SCH-2785S, SPF-2785S Rev B

Date: Thursday, May 16, 2013 Sheet 7 of 8

Clock and Reset Circuitry

