

NXP		Automotive, Industrial & Multi-market Solutions Group 801 William Cannon Drive West Austin, TX 78728-6598	
This document contains information proprietary to NXP and shall not be used for engineering design, procurement or manufacture in whole or in part without the express written permission of NXP Semiconductors.			
Designer: B. ZUCZEK	Drawing Title: MPC5744P-CONTROLLER BOARD	ECAP Classification: CP	RUC: PUB: X
Drawn by: B. ZUCZEK	Page Title: TITLE PAGE	Document Number SCH-28531 PDF: SPF-28531	Rev C
Approved: P. KONVICNY	Date: Thursday, August 16, 2018	Sheet 1 of 10	

Table of Contents	
01	TITLE PAGE
02	BLOCK DIAGRAM
03	MOTOR INTERFACE #1
04	MOTOR INTERFACE #2
05	MCU MPC5744P ADC
06	MCU MPC5744P
07	MCU MPC5744P HEADERS
08	MCU MPC5744P PWR + GND
09	POWER SUPPLY MC33FS6523CAE
10	SENT INTERFACE

4

3

2

1

SCHEMATIC REVISIONS				
Zone	Rev	Description	Date	Revised
All	A	Initial production version	31.01.2015	BZu
All	A1	Schematic title page update	31.05.2015	BZu
All	A1	Schematic title page update	18.08.2018	BZu



		Automotive, Industrial & Multi-market Solutions Group 6501 William Cannon Drive West Austin, TX 78735-8598		
This document contains information proprietary to NXP and shall not be used for engineering design, procurement or manufacture in whole or in part without the express written permission of NXP Semiconductors.				
ICAP Classification: CP: IUO: PUB: X				
Designer: B. ZUCZEK		Drawing Title: MPC5744P-CONTROLLER BOARD		
Drawn by: B. ZUCZEK		Page Title: TITLE PAGE		
Approved: P. KONVICHNY	Size A3	Document Number SCH-28531 PDF: SPF-28531	Rev C	
Date: Friday, May 10, 2019		Sheet 2 of 10		

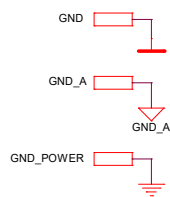
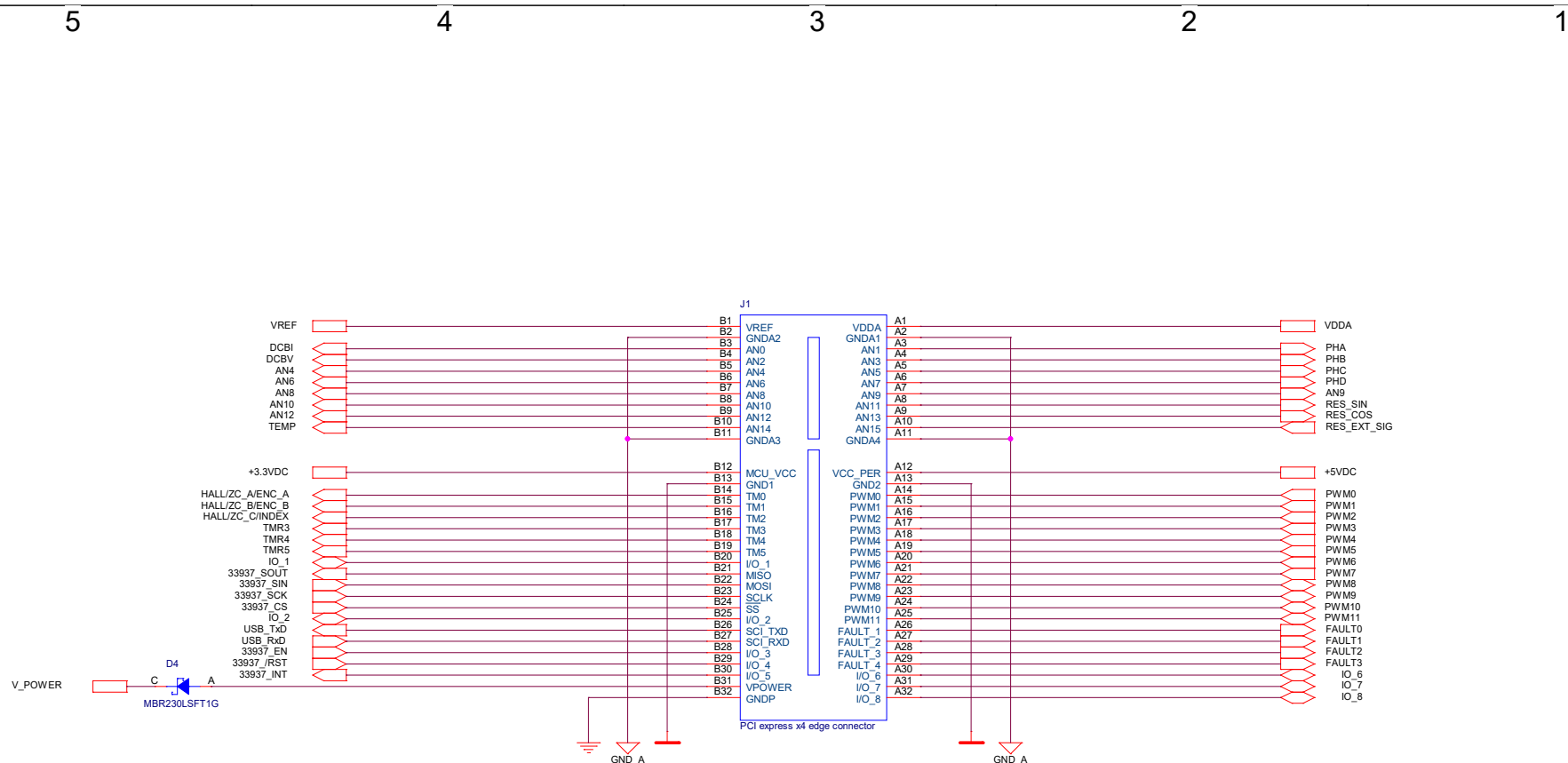
5

4

3

2

1



		Automotive, Industrial & Multi-market Solutions Group 6501 William Cannon Drive West Austin, TX 78735-8598	
This document contains information proprietary to NXP and shall not be used for engineering design, procurement or manufacture in whole or in part without the express written permission of NXP Semiconductors.			
ICAP Classification:		CP:	IUO: PUB: X
Designer: B. ZUCZEK	Drawing Title: MPC5744P-CONTROLLER BOARD		
Drawn by: B. ZUCZEK	Page Title: MOTOR CONTROL INTERFACE 1		
Approved: P. KONVICNY	Size A3	Document Number SCH-28531 PDF: SPF-28531	Rev C
Date:	Thursday, August 16, 2018	Sheet	3 of 10

5

4

3

2

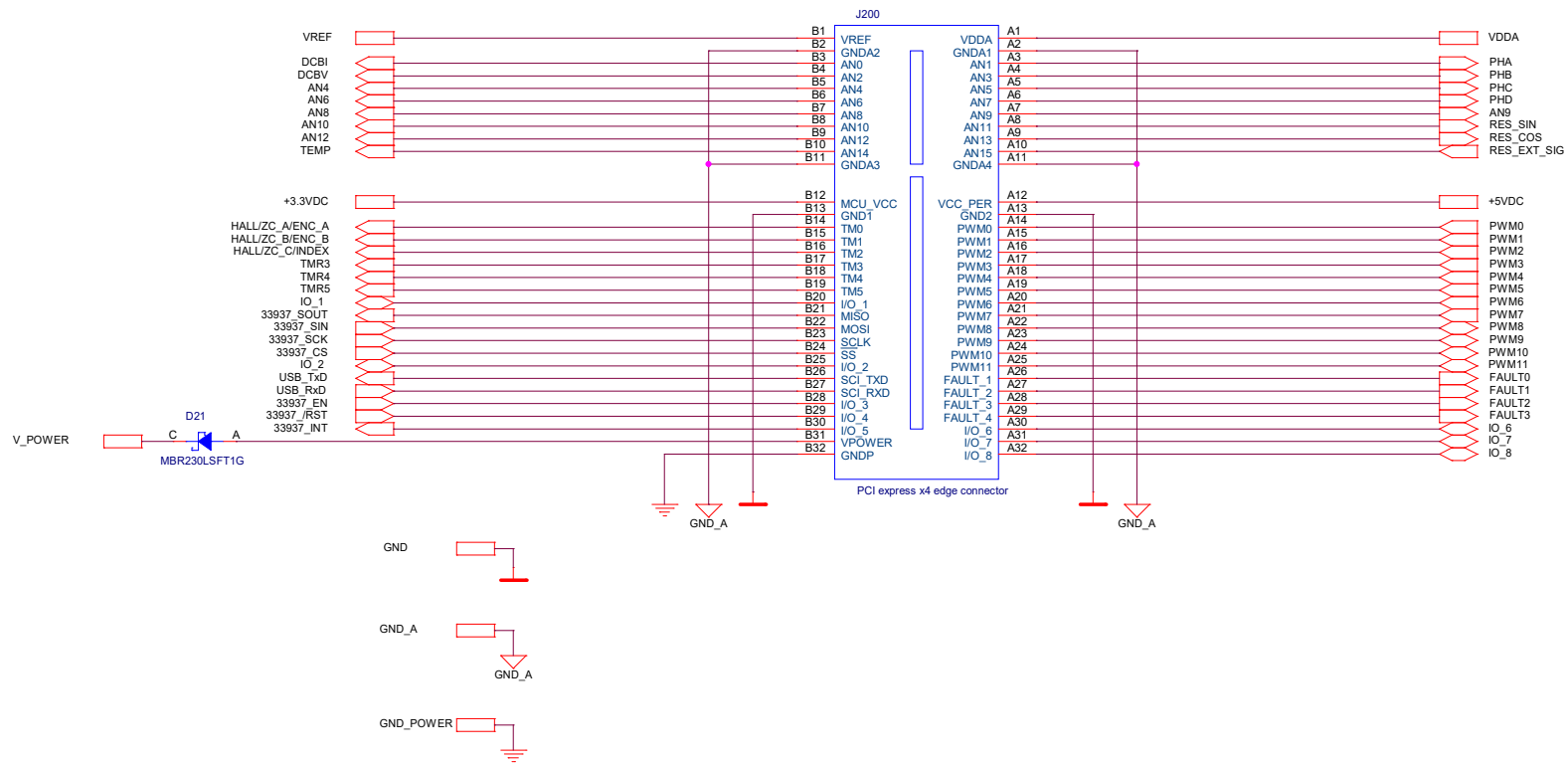
1

D

C

B

A



		Automotive, Industrial & Multi-market Solutions Group 6501 William Cannon Drive West Austin, TX 78735-8598	
This document contains information proprietary to NXP and shall not be used for engineering design, procurement or manufacture in whole or in part without the express written permission of NXP Semiconductors.			
ICAP Classification: CP: _____ I/O: _____ PUBL: X			
Designer: B. ZUCZEK	Drawing Title: MPC5744P-CONTROLLER BOARD		
Drawn by: B. ZUCZEK	Page Title: MOTOR CONTROL INTERFACE 2		
Approved: P. KONVICNY	Size A3	Document Number SCH-28531 PDF: SPF-28531	Rev C
Date: Thursday, August 16, 2018	Sheet 4 of 10		

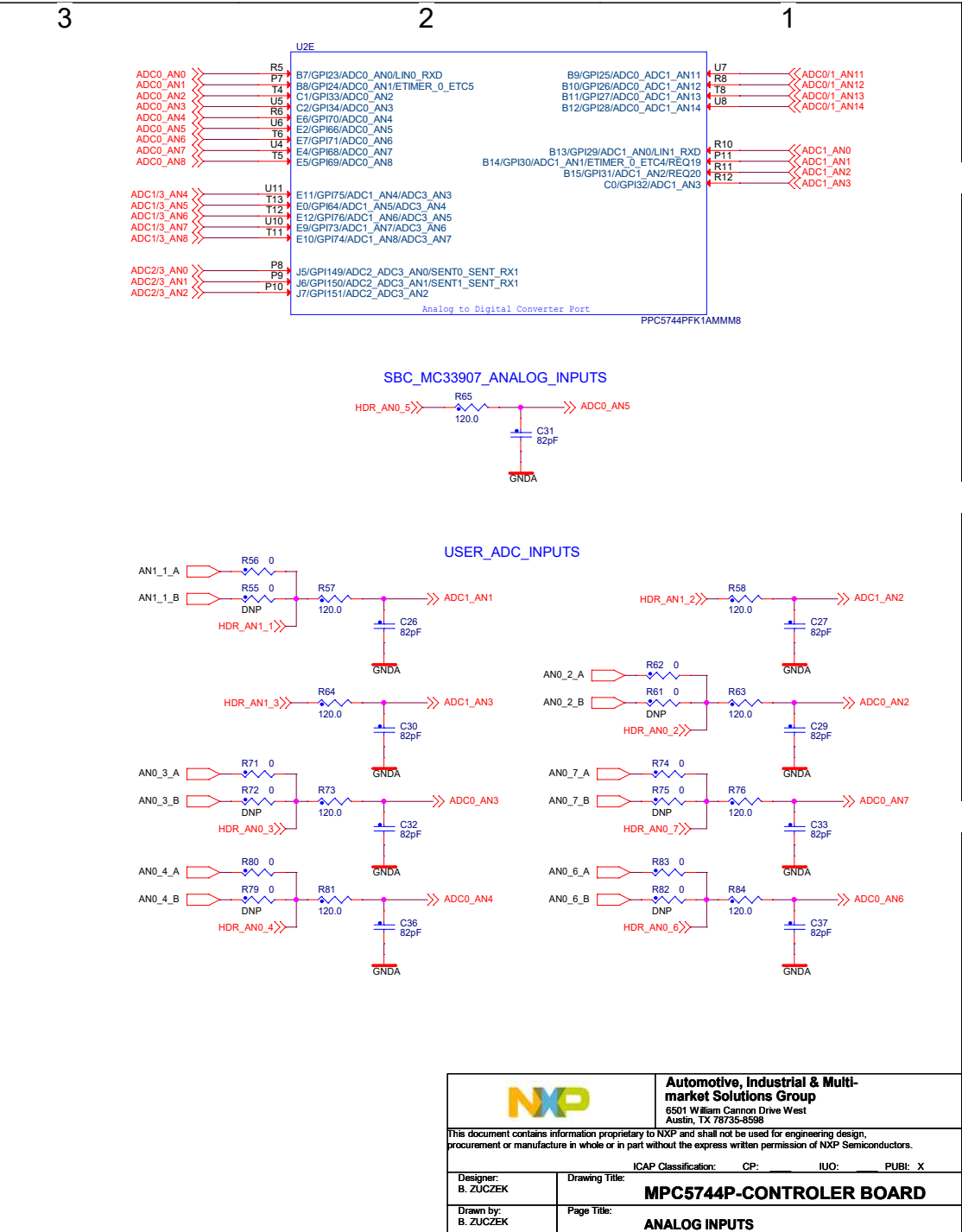
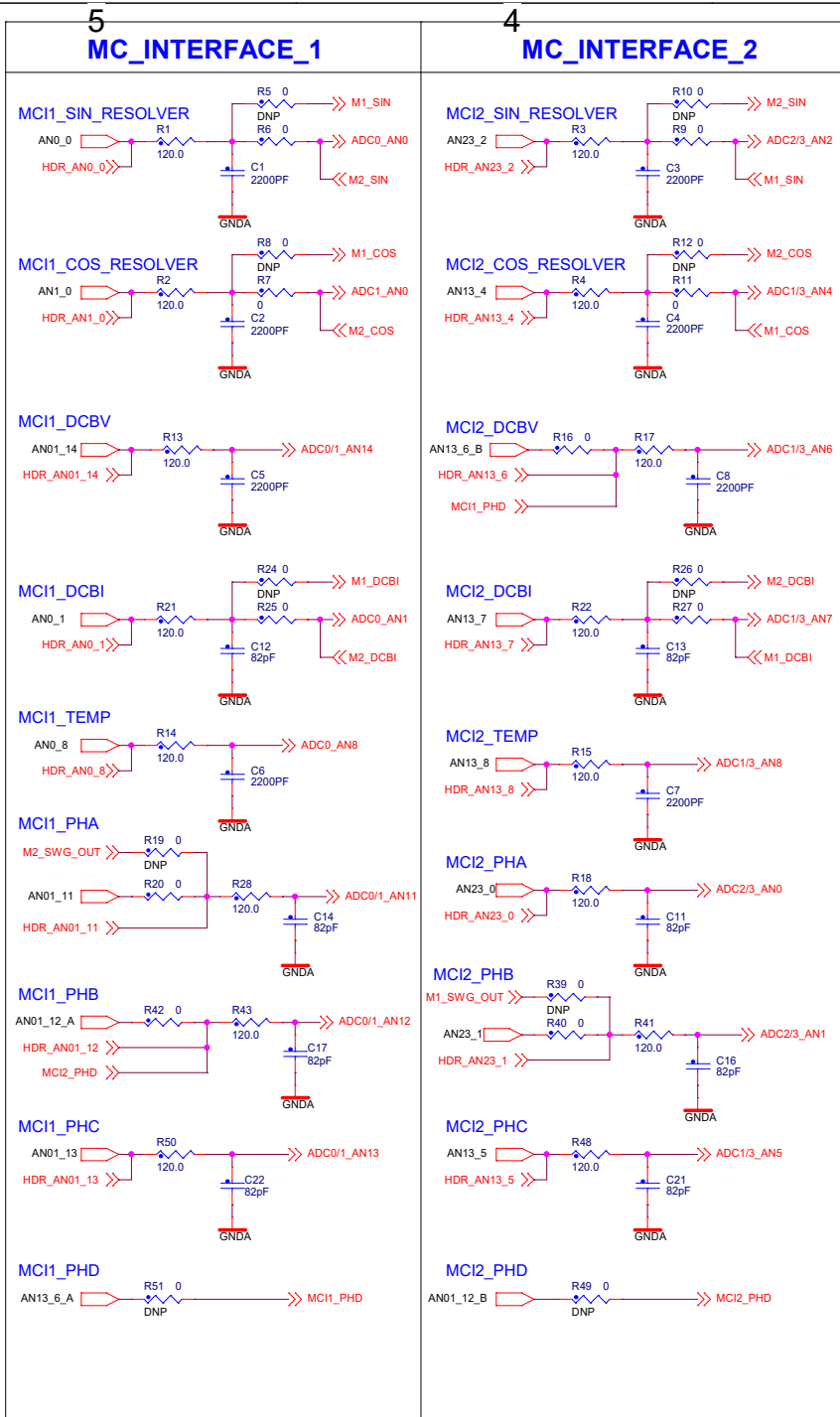
5

4

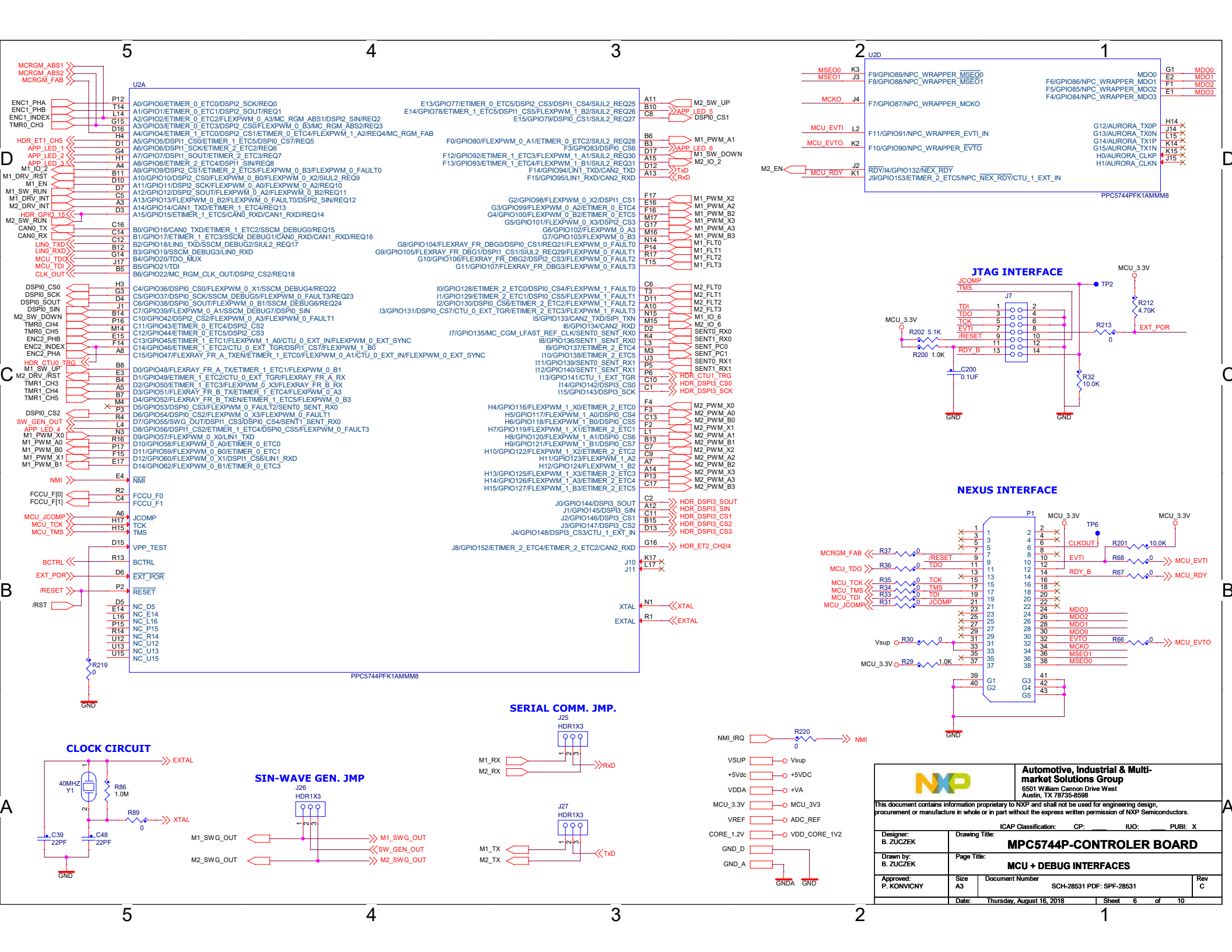
3

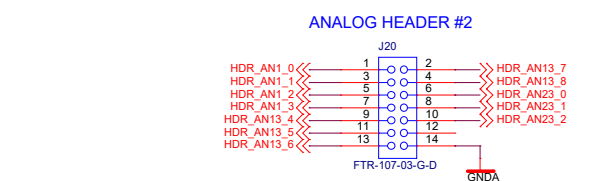
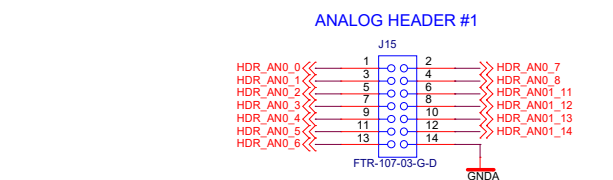
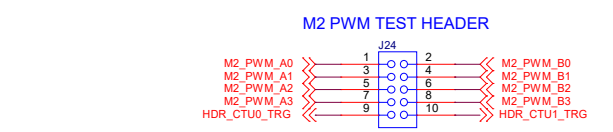
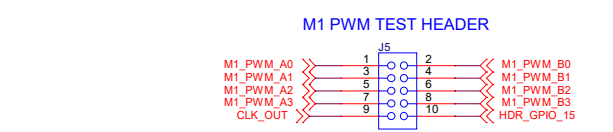
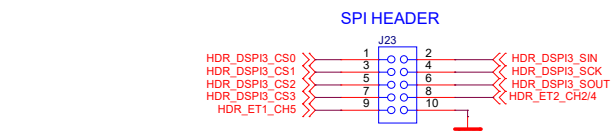
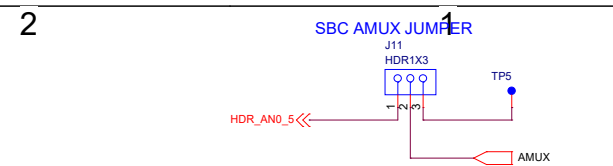
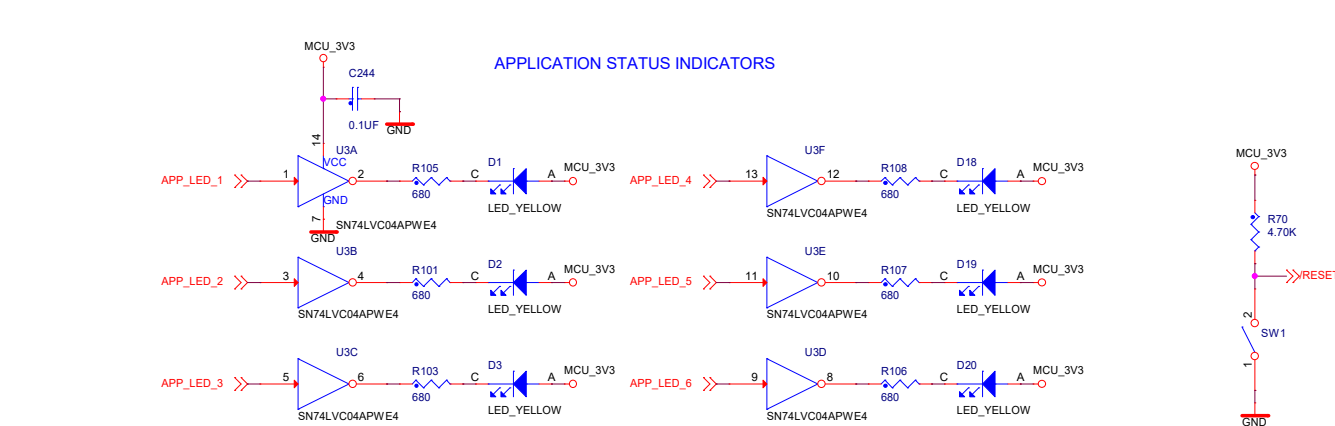
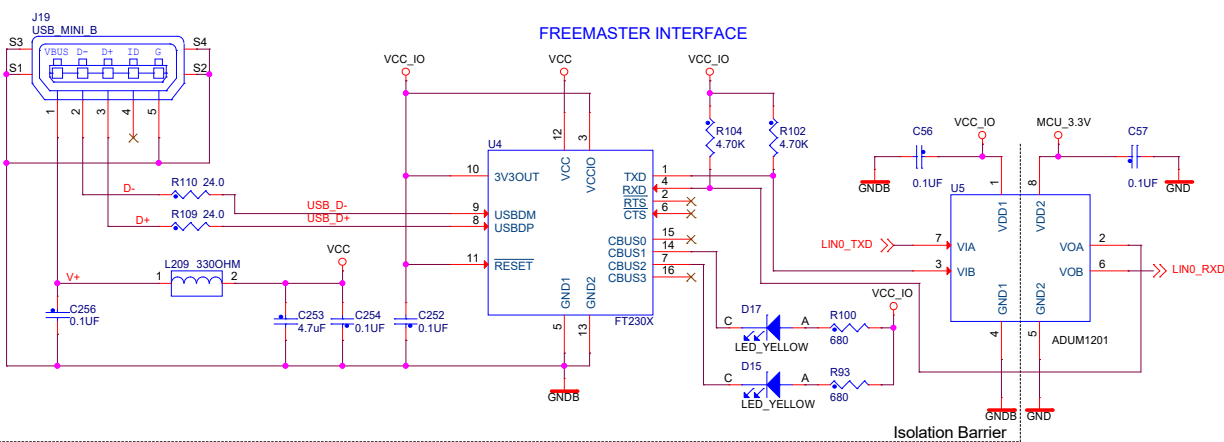
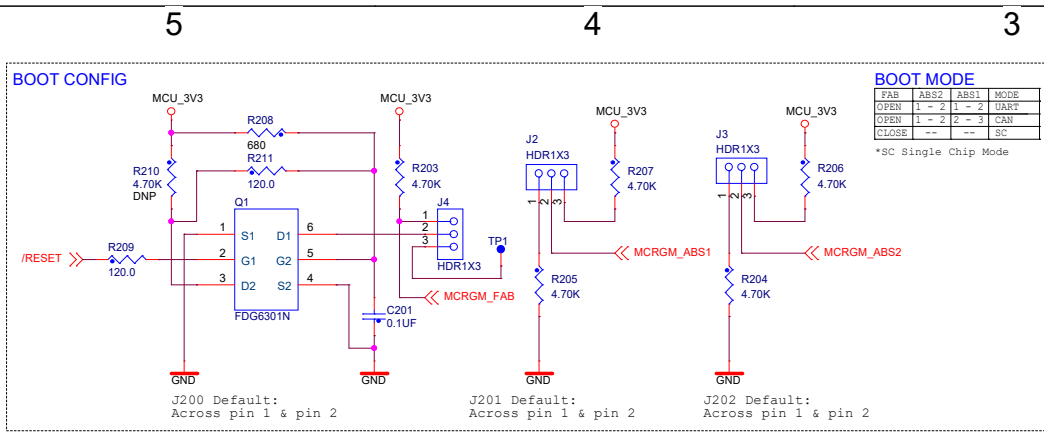
2

1

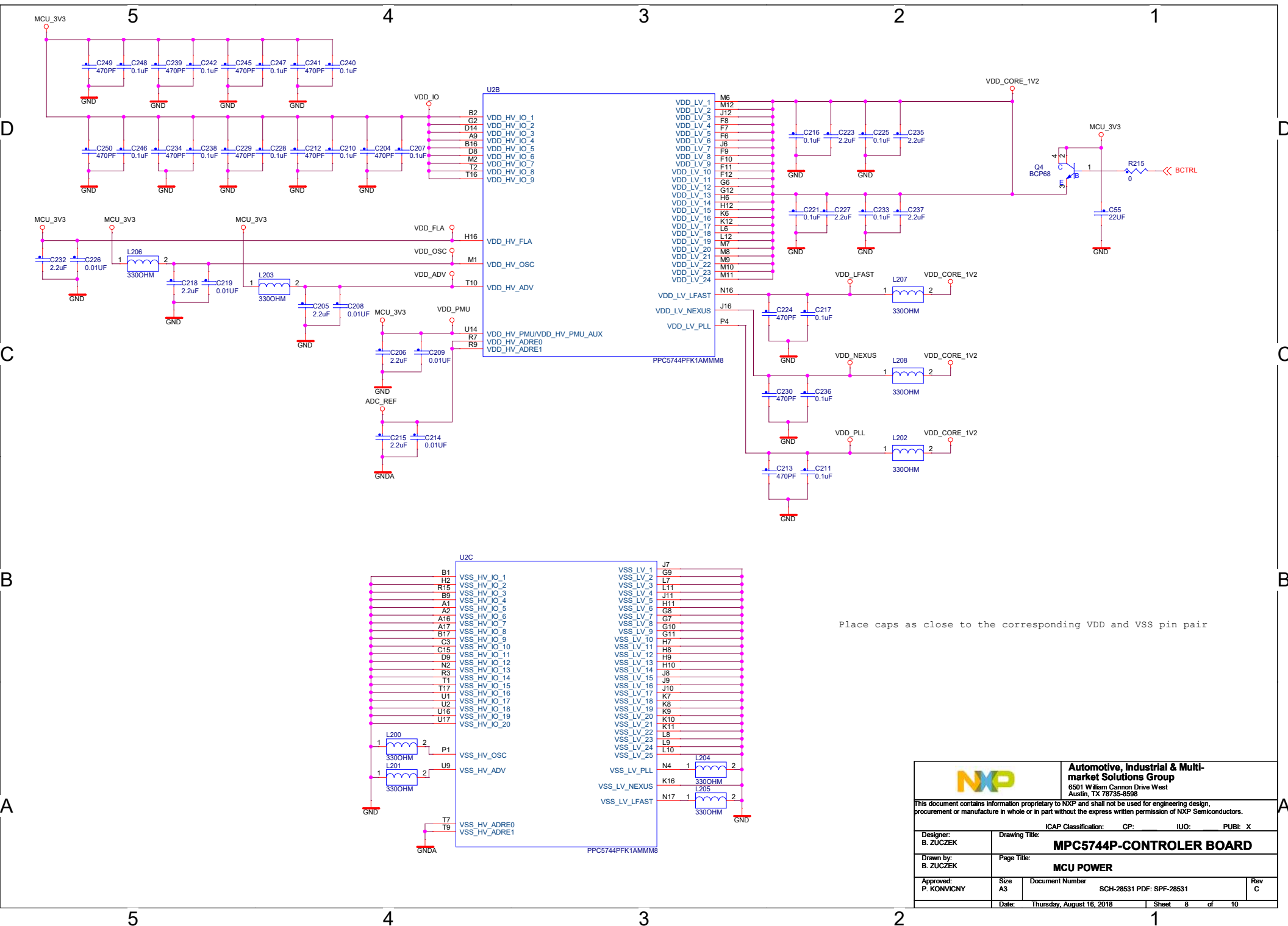


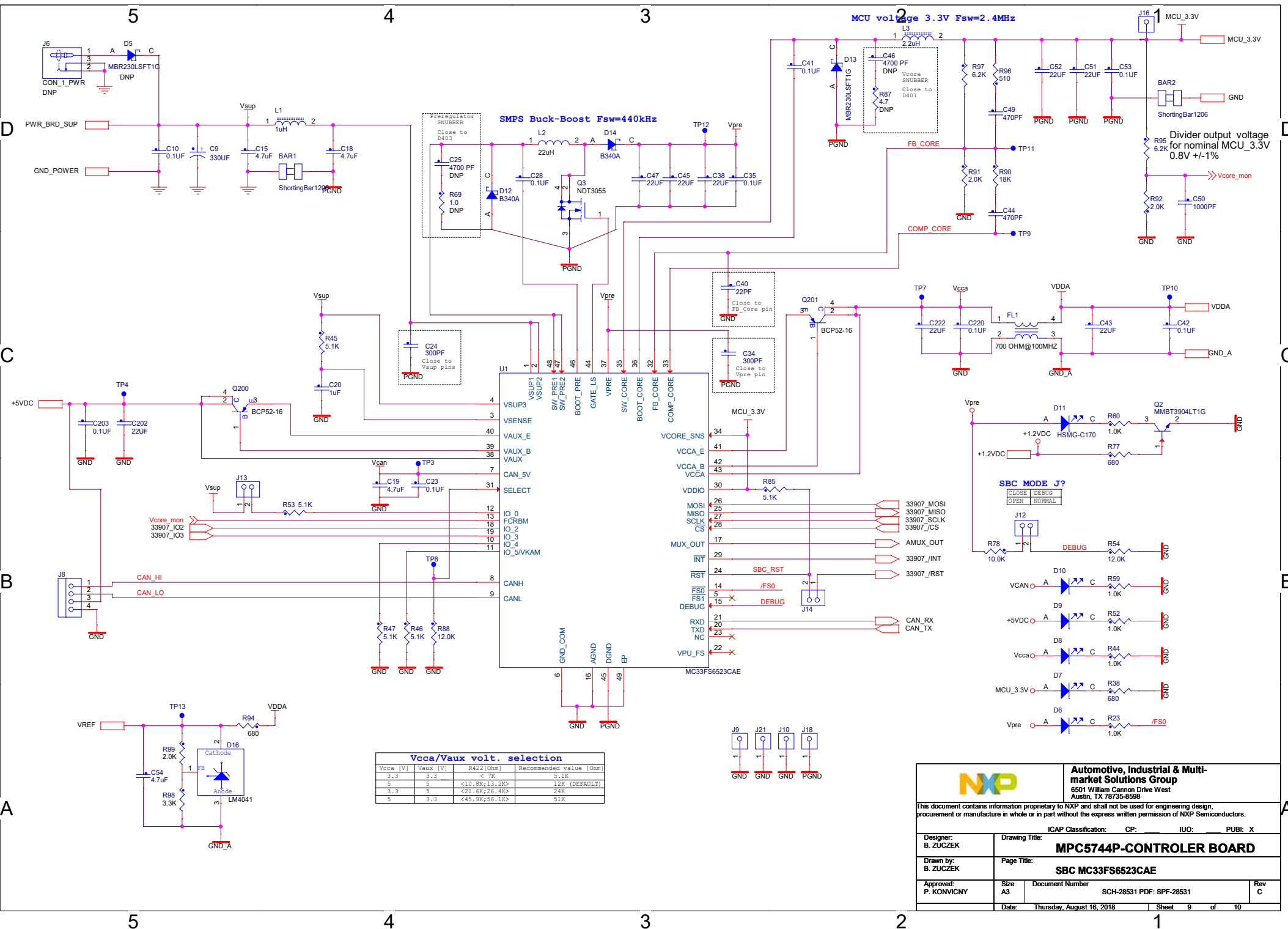
		Automotive, Industrial & Multi-market Solutions Group 6501 William Cannon Drive West Austin, TX 78735-8598		
		This document contains information proprietary to NXP and shall not be used for engineering design, procurement or manufacture in whole or in part without the express written permission of NXP Semiconductors.		
Designer: B. ZUCZEK		ICAP Classification: CP: IJO: PUB: X		
Drawing Title: MPC5744P-CONTROLLER BOARD		Page Title: ANALOG INPUTS		
Drawn by: B. ZUCZEK		Approved: P. KONVICNY		
Size A3		Document Number SCH-28531 PDF: SPF-28531		Rev C
Date: Thursday, August 16, 2018		Sheet 5 of 10		





		Automotive, Industrial & Multi-market Solutions Group 6501 William Cannon Drive West Austin, TX 78735-8598			
		This document contains information proprietary to NXP and shall not be used for engineering design, procurement or manufacture in whole or in part without the express written permission of NXP Semiconductors.			
Designer: B. ZUCZEK	Drawing Title: MPC5744P-CONTROLLER BOARD	ICAP Classification:	CP:	IUC:	PUBI: X
Drawn by: B. ZUCZEK	Page Title: HEADERS & CONTROLS & INDICATORS	Approved: P. KONVICNY		Size A3	Document Number SCH-28531 PDF: SPF-28531
Date: Thursday, August 16, 2018		Sheet 7 of 10		Rev C	





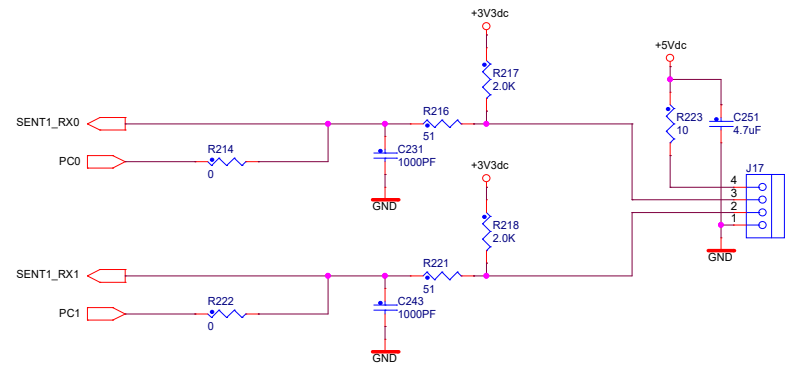
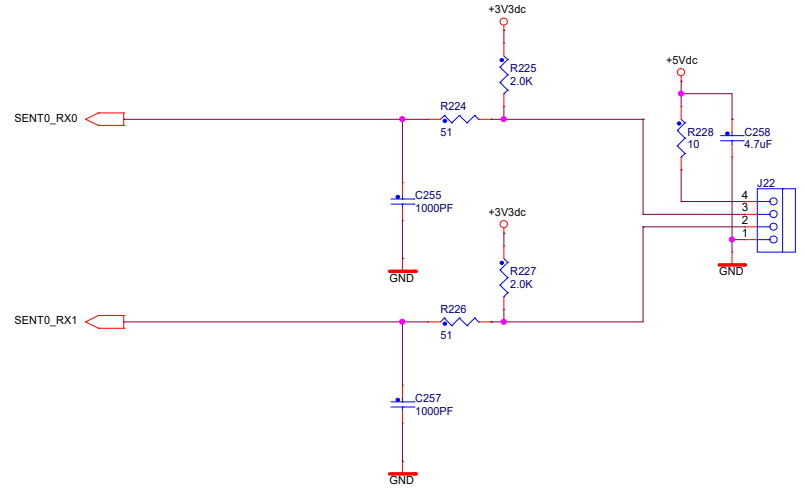
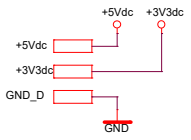
Vcca/Vaux volt. selection

Vcca [V]	Vaux [V]	R422 [Ohm]	Recommended value [Ohm]
3.3	3.3	< 7K	5.1K
5	5	<10.8K;13.2K	12K (DEFAULT)
3.3	5	<21.8K;26.4K	24K
5	3.3	<45.9K;56.1K	51K

NXP Automotive, Industrial & Multi-market Solutions Group
 6501 William Cannon Drive West
 Austin, TX 78735-8598

This document contains information proprietary to NXP and shall not be used for engineering design, procurement or manufacture in whole or in part without the express written permission of NXP Semiconductors.

Designer: B. ZUCZEK	Drawing Title: MPC5744P-CONTROLLER BOARD
Drawn by: B. ZUCZEK	Page Title: SBC MC33FS6523CAE
Approved: P. KONVICNY	ICAP Classification: CP: IUC: PUBI: X
Date: Thursday, August 16, 2018	Sheet 9 of 10



		Automotive, Industrial & Multi-market Solutions Group 6501 William Cannon Drive West Austin, TX 78735-8598	
This document contains information proprietary to NXP and shall not be used for engineering design, procurement or manufacture in whole or in part without the express written permission of NXP Semiconductors.			
ICAP Classification:		CP:	IUO: PUBI: X
Designer: B. ZUCZEK	MPC5744P-CONTROLLER BOARD		
Drawn by: B. ZUCZEK	SENT INETRFACE		
Approved: P. KONVICNY	Size A3	Document Number SCH-28531 PDF: SPF-28531	Rev C
Date: Thursday, August 16, 2018		Sheet 10 of 10	