
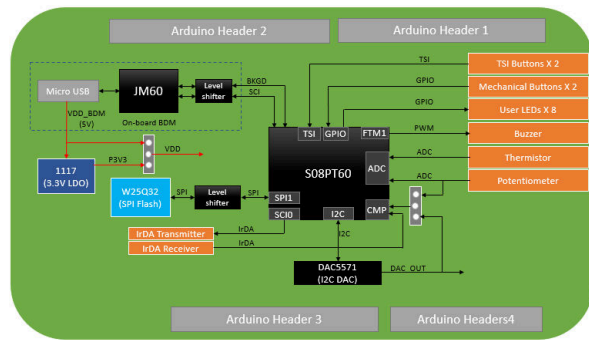


	Title	Page
1		
2	Block Diagram	
3	MCU & Arduino Headers	
4	OSBDM & Power Supply	
5	On-board Peripherals	

Revisions			
Rev	Description	Date	Approved
X1		23-Jun-17	
V3.0		28-Feb-18	

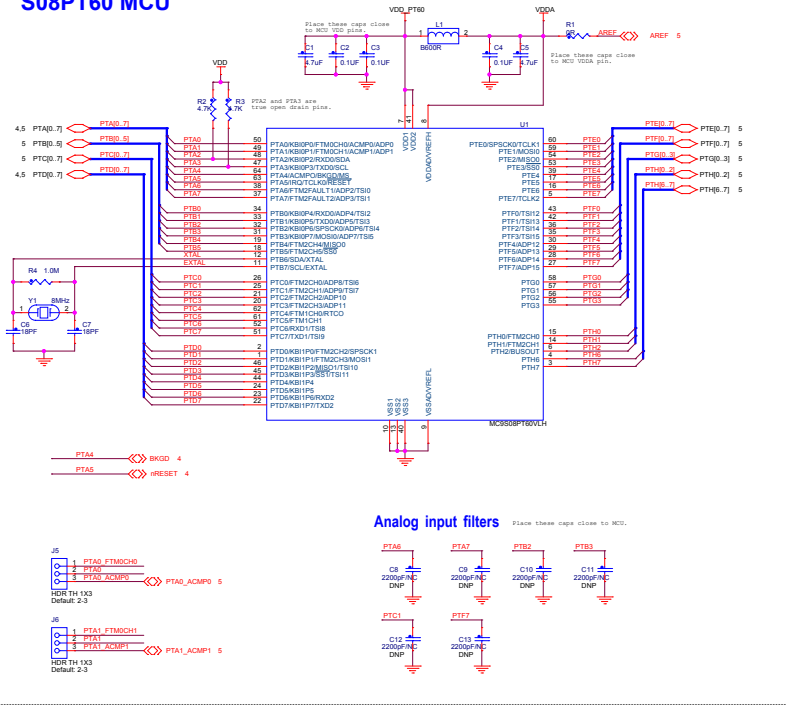
S08P-LITE

		Microcontroller Product Group 6501 Wilson Canyon Drive West Austin, TX 78735-5098	
		<small>This document contains information proprietary to NXP and shall not be used for engineering design, procurement or manufacture in whole or in part without the express written permission of NXP Semiconductors.</small>	
Designer:	Drawn by:	ICAP_Classification:	CP: BUD: X: FUSE:
Drawn by:	Drawn by:	S08P-LITE Title Page	
Approved:	Size:	Document Number:	Rev:
<Approver>	C	6CH-xxxxx, P0P: SPP-xxxxx	V3.0
Title:		Wednesday, February 28, 2018	Sheet 1 of 5

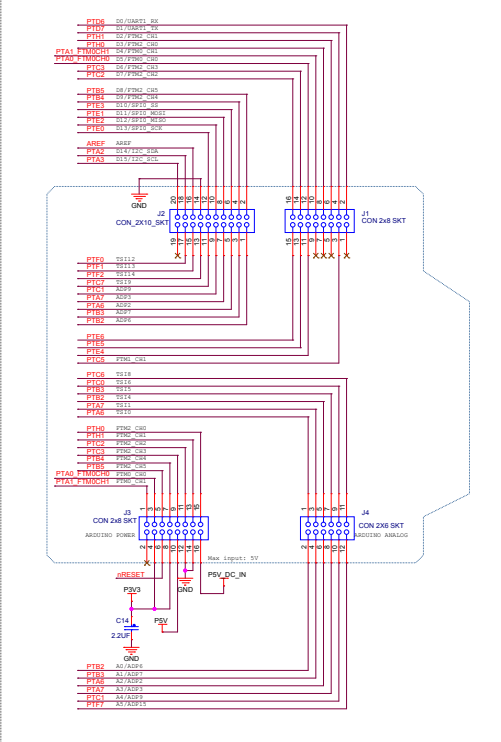



Doc. Classification: CP		IUD X PUBLIC	
S08P-LITE			
Page Title: Block Diagram			
Doc. C	Document Number: SCH-xxxx_PDP-SPP-xxxx	Rev. V3.0	
Date: Wednesday, February 28, 2016	Sheet: 2	of	5

S08PT60 MCU



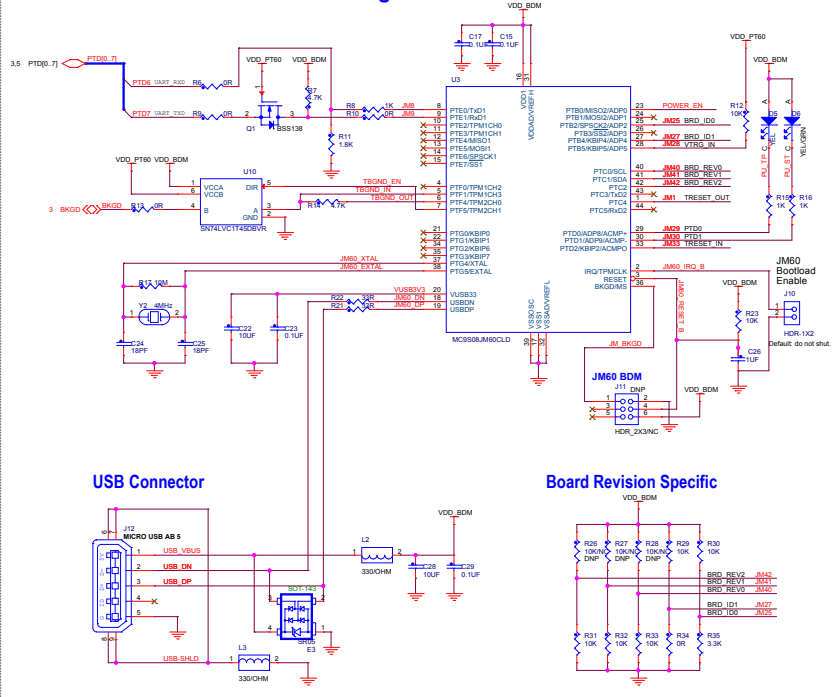
Arduino Compatible Headers



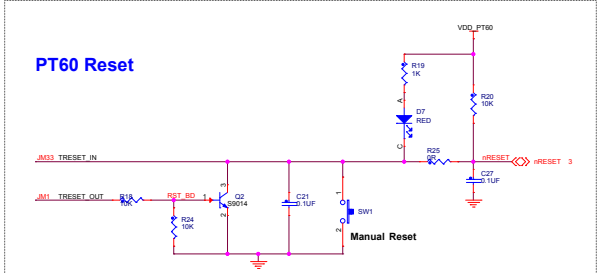
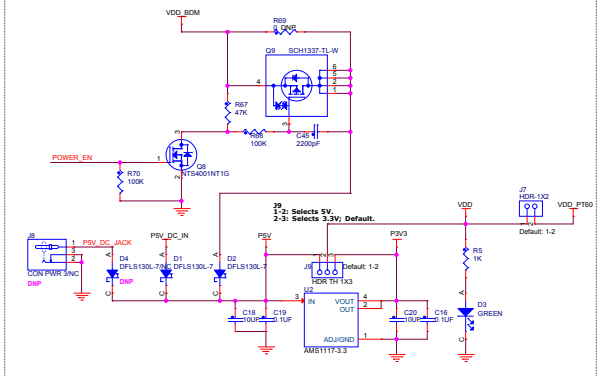


Doc Classification: CP- IUD-X EVB	
Drawing Title: S08P-LITE	
Page Title: MCU & Arduino Headers	
Doc C	Document Number: SCH-xxxx, PDP-SPP-xxxx
Date: Wednesday, February 28, 2018	Sheet: 4 of 5

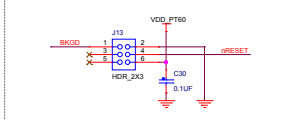
On Board OSBDM/Serial Bridge



Power Supply

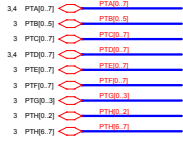


PT60 BDM Interface

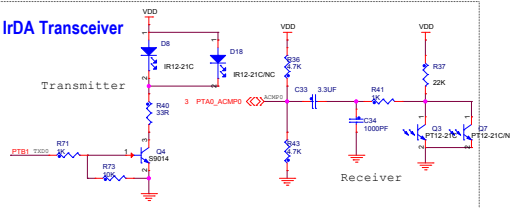


Doc Classification:	CP	IND	X	PUB
Doc Title:	S08P-LITE			
Page Title:	OSBDM & Power Supply			
Doc C	Document Number:	SCH-xxxxx, PDP-SPP-xxxxx	Rev:	V3.0
Date:	Wednesday, February 28, 2018	Sheet:	4	of 5

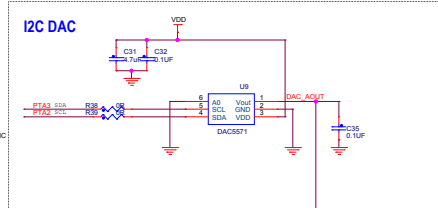
Off Page Connections



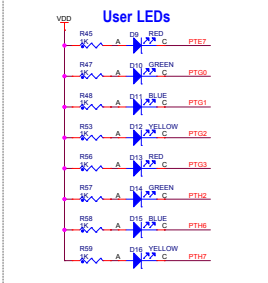
IrDA Transceiver



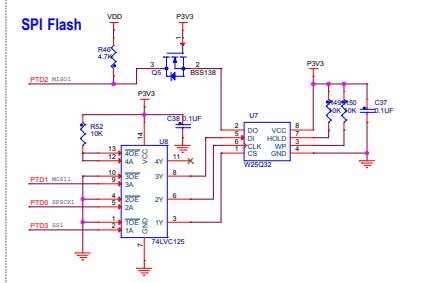
I2C DAC



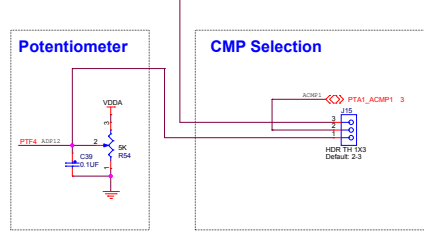
User LEDs



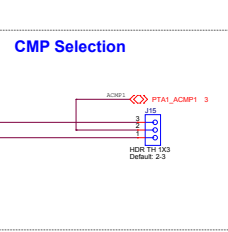
SPI Flash



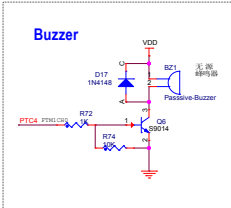
Potentiometer



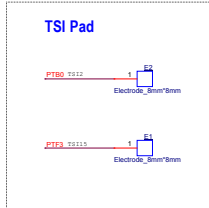
CMP Selection



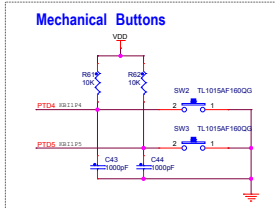
Buzzer



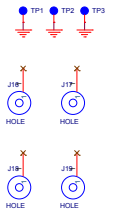
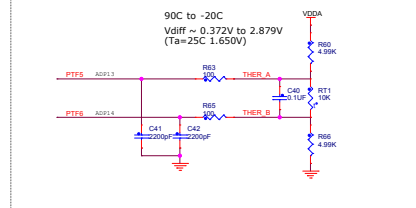
TSI Pad



Mechanical Buttons



Thermistor



NXP	
Part Classification:	CP- IUD-X PWR
S08P-LITE	
Page Title: On-board Peripherals	
Doc C	Document Number: SCH-xxxx_PDP-SPP-xxxx
Date: Wednesday, February 28, 2018	Sheet: 5 of 5