

## Table of Content


Page 1	Title, ToC and Rev History
Page 2	NOTES
Page 3	Schematic

\* Keeping Revision A since added components are only alternate footprints and not physically changing netlist

# OM-SE050ARD

## Revision History

Rev. Code	Date	Description
A	09/12/2018	Agile release A085
A1	09/24/2018	Agile release A085. Correction.
A2*	10/29/2019	Per customer request: A) Assign C3 to DNP (do not populate) B) Assign J3 (DB15 female) to DNP C) Modify value of R7, R8, R9, R10 to 820 ohm and populate them D) Default Jumpers for J6 change according to page 2 E) DNP J15, J17, J18 & J27. Add alternate 2x2 connector as follows: - J15 for J15 ("i" vs "1") - J17 for J17 ("i" vs "1") F) Replace J28 --> J34 with wire jumpers
B	01/09/2019	Changed from prototype to production
B1	01/31/2019	DNP J22
B2	02/19/2019	Populate J18
C	03/18/2019	J14 Default jumper set to 3-4 per customer request U1 Schematic symbol update -> New footprint
C1	05/07/2019	Set J35, J36, R9, R10 to DNP. Update U1's MPN
C2	05/16/2019	Redefined default jumper setting for J6 to 2-3 per customer request
C3	05/28/2019	Reverted default jumper setting for J6 to 1-2 per customer request
C4	01/21/2020	J14 Default 1 - 2 J25, J26 -> DNP J4 ->SSQ-106-03-G-S J1, J8 -> SSQ-108-03-G-S J2 -> SSQ-110-03-G-S

		6501 William Cannon Drive West Austin, TX 78735-8538	
<small>This document contains information proprietary to NXP and shall not be used for engineering design, procurement or manufacture in whole or in part without the express written permission of NXP Semiconductors.</small>			
ICAP Classification:		CP:	IJO: X PUBL:
Designer: Catalin Neacsu	Drawing Title: <b>OM-SE050ARD</b>		
Drawn by: Catalin Neacsu	Page Title: <b>Title, ToC and Rev History</b>		
Approved: Rodolfo V	Size B	Document Number SCH37525 - SPF37525	Rev C4
Date: Wednesday, January 22, 2020		Sheet	1 of 3

# Notes and documentation

**Table 1: Default Jumper**

<i>REF DES</i>	<i>JUMPER(DEFAULT)</i>	<i>PAGE NAME</i>
J6,J18,J24,J14	1-2	03 - Schematic
J7,J13,J12,J19,J16	2-3	03 - Schematic
J17,J15	3-4	03 - Schematic
J37,J38,J9,J10	OPEN	03 - Schematic

**Table 2: Do Not Populate Components**

<i>REF DES</i>	<i>ASSY_OPT</i>	<i>PAGE NAME</i>
J27,J35,C3,R9,C4,J26,J17,J25, R10,J22,J3,J15,J36	DNP	03 - Schematic



6501 William Cannon Drive West  
Austin, TX 78735-8598

This document contains information proprietary to NXP and shall not be used for engineering design, procurement or manufacture in whole or in part without the express written permission of NXP Semiconductors.

ICAP Classification: CP: IUO: X PUBL:

Designer:  
Catalin Neacsu

Drawing Title:

**OM-SE050ARD**

Drawn by:  
Catalin Neacsu

Page Title:

**Notes**

Approved:  
Rodolfo V

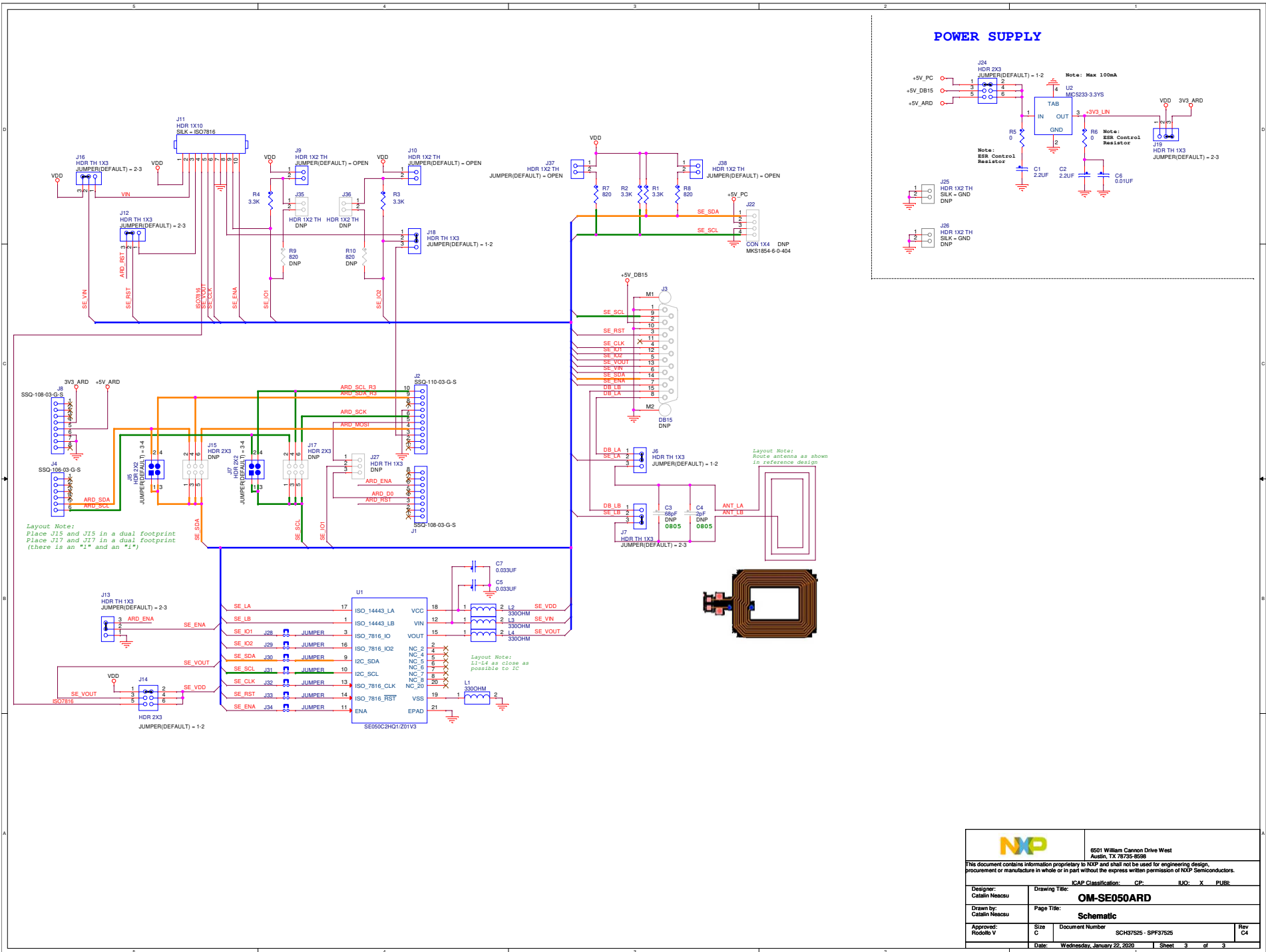
Size  
A

Document Number

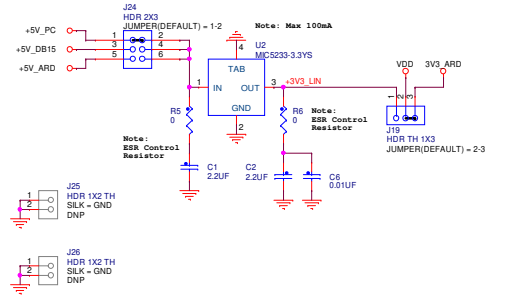
SCH37525 - SPF37525

Rev  
C4

Date: Wednesday, January 22, 2020 Sheet 2 of 3



### POWER SUPPLY



		6501 William Cannon Drive West Austin, TX 78725-6598			
		<small>This document contains information proprietary to NXP and shall not be used for engineering design, procurement or manufacture in whole or in part without the express written permission of NXP Semiconductors.</small>			
Designer: Catalin Neacsu	Drawing Title: <b>OM-SE050ARD</b>	ICAP Classification:	CP:	IUD: X	PUR:
Drawn by: Catalin Neacsu	Page Title: <b>Schematic</b>				
Approved: Rodolfo V	Size C	Document Number SCH37825 - SPP37825	Rev CA		
		Date: Wednesday, January 22, 2020	Sheet 3 of 3		