

Table of Contents	
1	TITLE, TOC & REV
2	FXLS9xxx/FXPS7xxx


Revisions			
Rev	Description	Date	Approved
D	Public Schematic Release	17-Dec-2020	Anthony D

SEN-GEN6-SKT

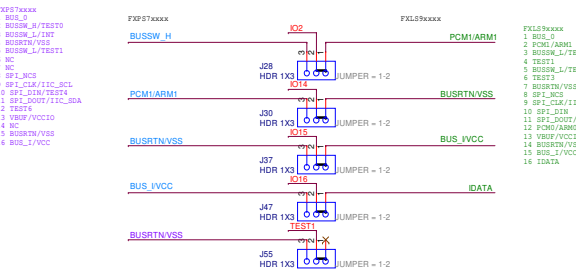
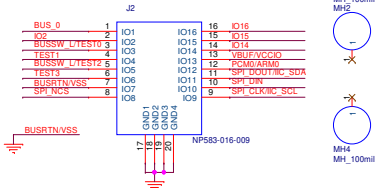
JUMPER TABLE

REF DES	JUMPER	PAGE NAME
J49,J47,J30,J28,J55,J37	1-2	02 - (u)Gen6 Sensor
J51,J52,J5,J34,J6,J8,J4,J7,J1,J36,J3,J50,J14	1	02 - (u)Gen6 Sensor
J46	2-3	02 - (u)Gen6 Sensor
J33,J42	2	02 - (u)Gen6 Sensor

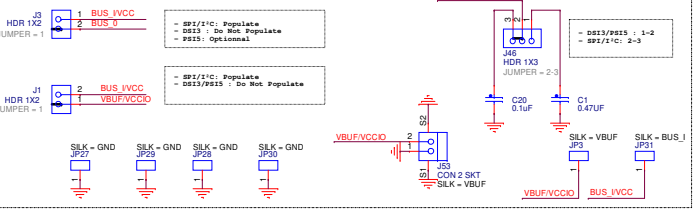
REF DES	COLOUR
J33,,J34,J42,J49	RED
J4,J5,J6	GREEN
J7,J8,J14,J52	GREY
J36,J50,J51	BLUE

		Analog Sensor Product Group 8501 Williams Cannon Drive West Austin, TX 78725-6598			
		<small>This document contains information proprietary to NXP and shall not be used for engineering design, procurement or manufacture in whole or in part without the express written permission of NXP Semiconductors.</small>			
Designer: <Designer>	Drawing Title: SEN-GEN6-SKT	ICAP Classification:	CP:	IAO: X	PUR:
Drawn by: <DrawnBy>	Page Title: TITLE, TOC & REV				
Approved: Anthony D	Size: C	Document Number: SCH-28966 PDF: SPF-28966	Date: Thursday, December 17, 2020		Rev: D
		Sheet 1 of 2			

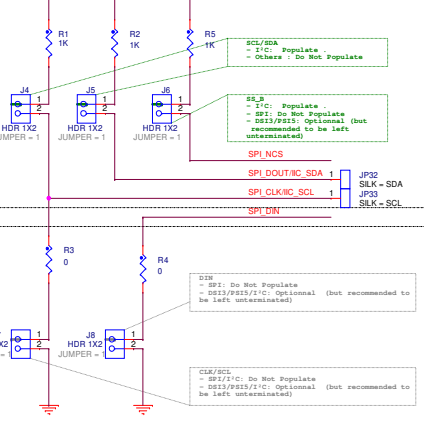
Sensor



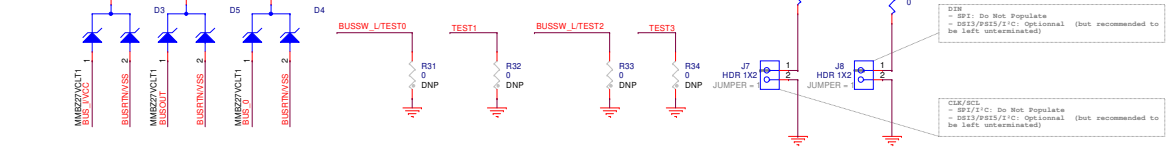
Power Supplies



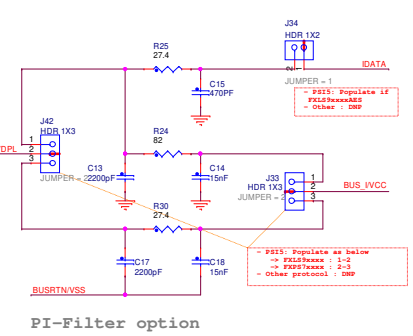
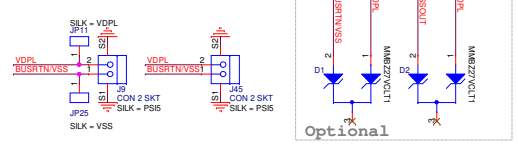
I2C



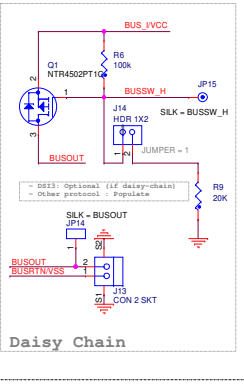
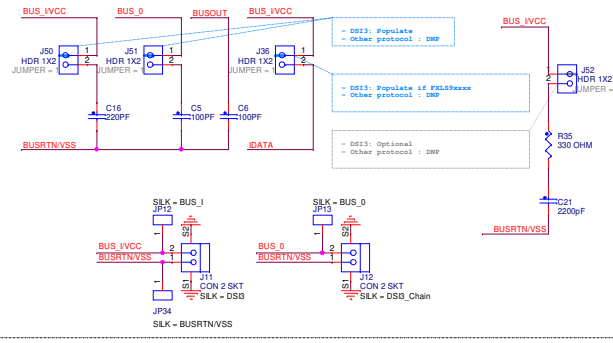
Optional



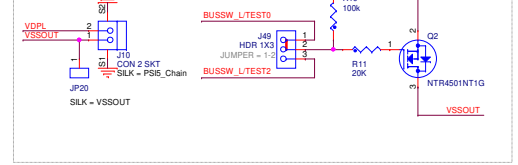
PSI5



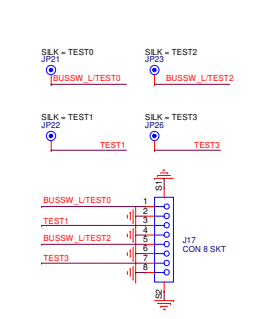
DSI3



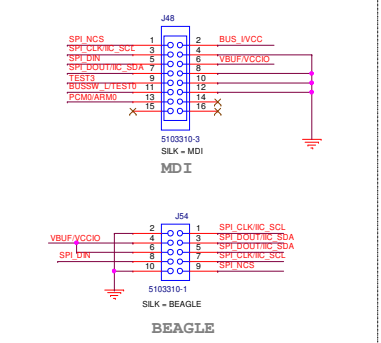
Daisy chain



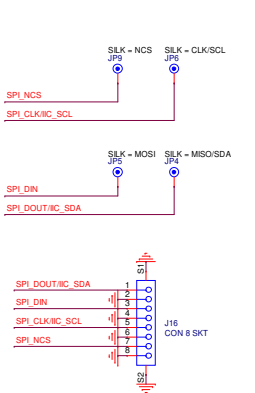
TESTMODE



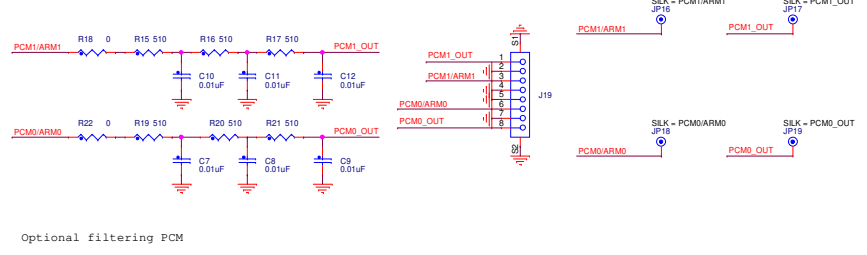
Standard connectors



SPI



ARM/PCM



Legend:

The jumper color is related to its use. Please refer to the user manual for details:
- Sensor : Black
- PSI5 : Red
- DSI3 : Blue
- I2C : Green
- Optional: Grey

