


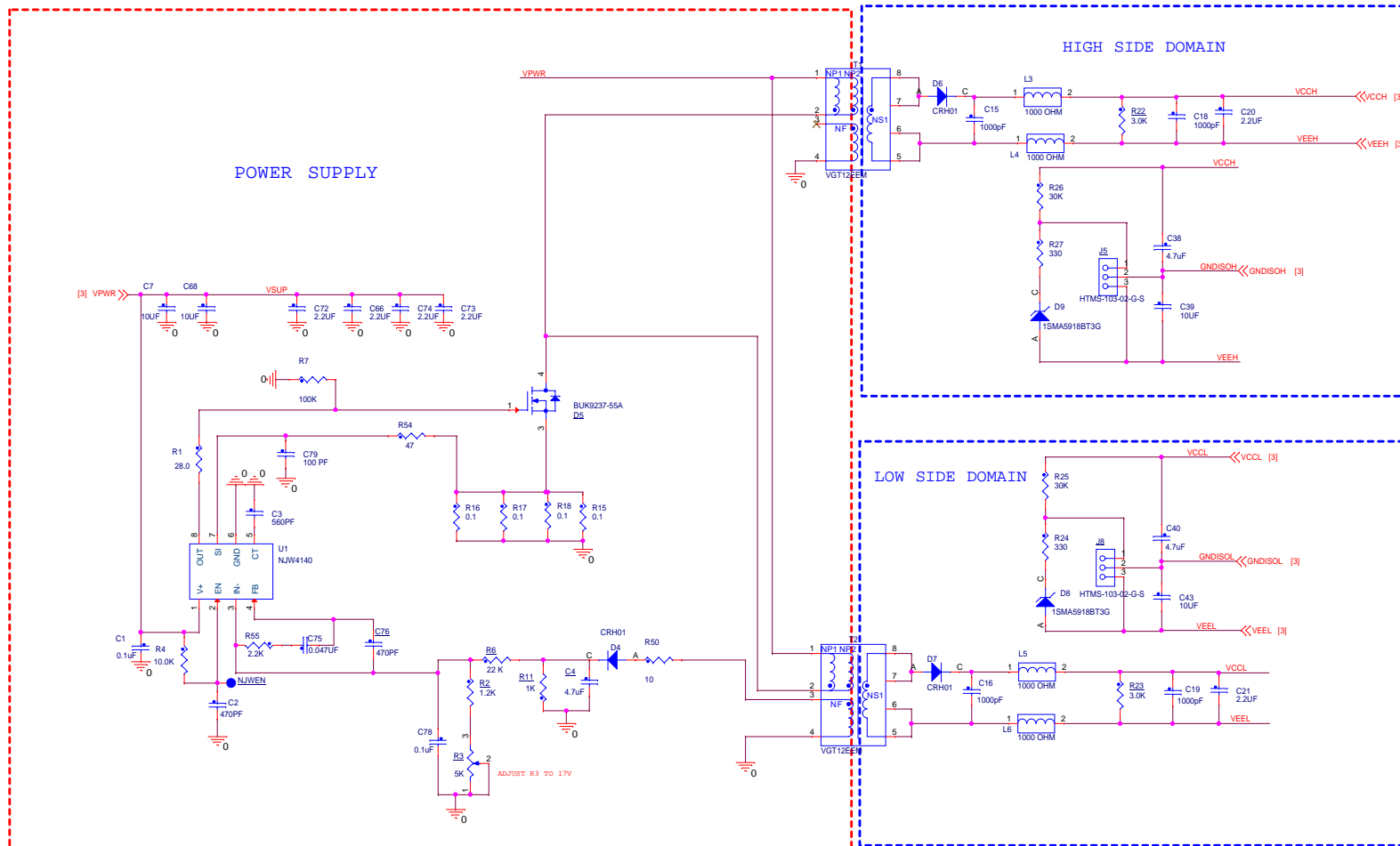
Table of Contents

1	Title
2	SUPPLY
3	MC33GD3100A

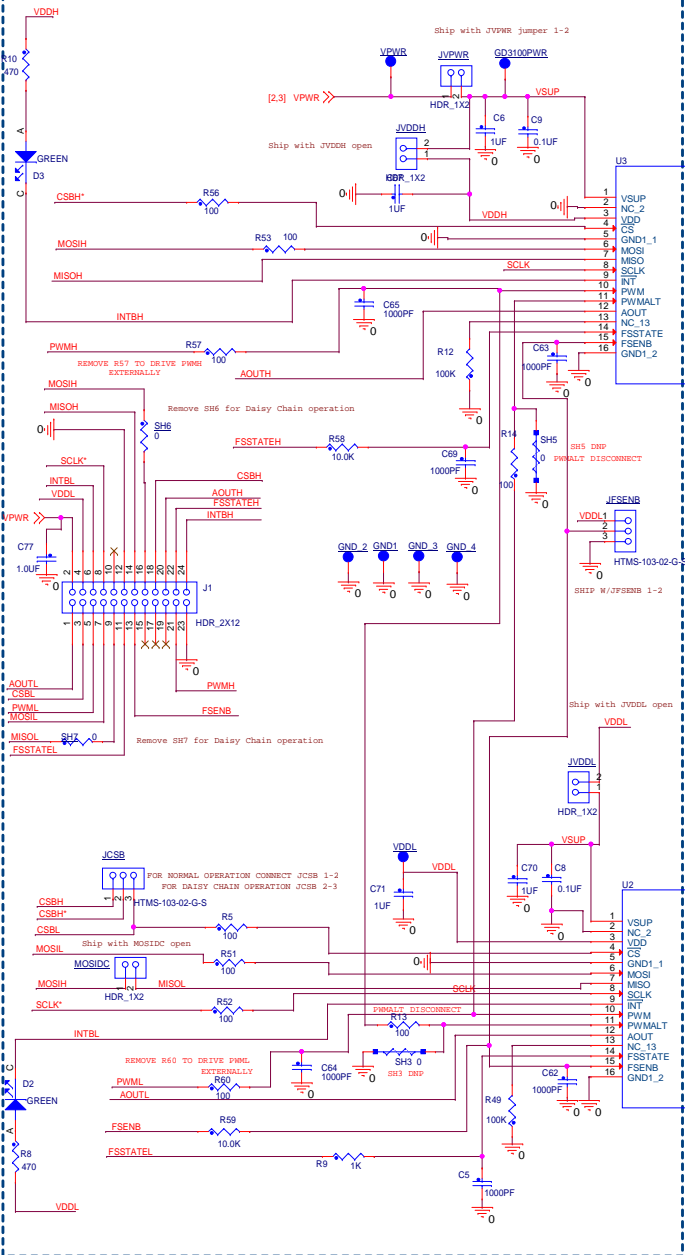
Revisions			
Rev	Description	Date	Approved
A	Release	09-18-17	Wayne Anderson
B	Release	02-06-18	Wayne Anderson

KITGD3100EVB

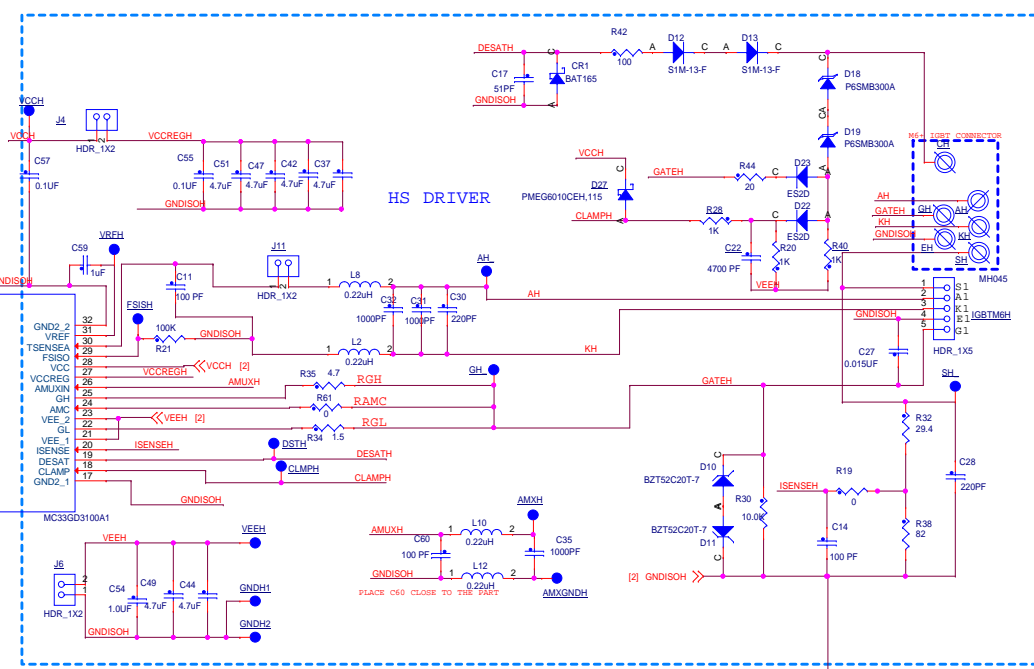
		Automotive, Industrial & Multi-market Solutions Group 6501 William Cannon Drive West Austin, TX 78735-9550	
		<small>This document contains information proprietary to NXP and shall not be used for engineering design, procurement or manufacture in whole or in part without the express written permission of NXP Semiconductors.</small>	
Designer: Wayne Anderson		Drawing Title: KITGD3100EVB	
Drawn by: Wayne Anderson		Page Title: Title Page	
Approved: Wayne Anderson		Size C	Document Number SCH-29317 PDF: SPF-29317
Date: Tuesday, February 06, 2018		Sheet 1 of 3	Rev B



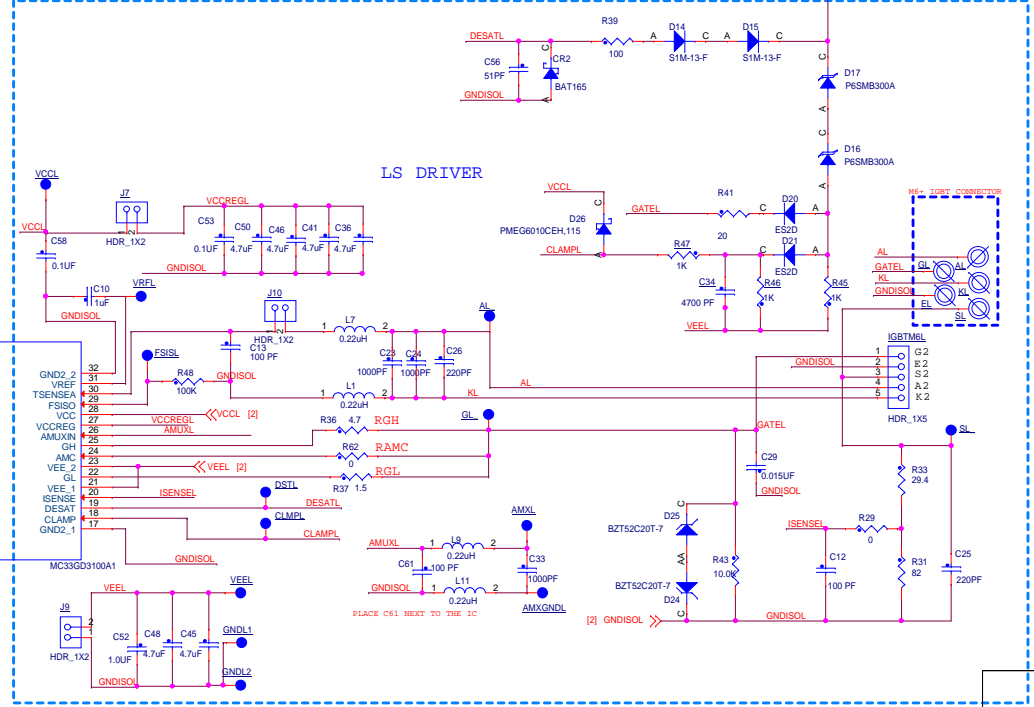
LV DOMAIN



HS DRIVER



LS DRIVER



ICAP Classification: CP: I/O: X P/BI:	
Drawing Title: KITGD3100EVB	
Page Title: PAGE 2 GD3100_M6+EXT	
Size C	Document Number SCH-29317 PDF: SPF-29317
Date: Tuesday, February 06, 2018	Sheet 3 of 3