


Table of Contents

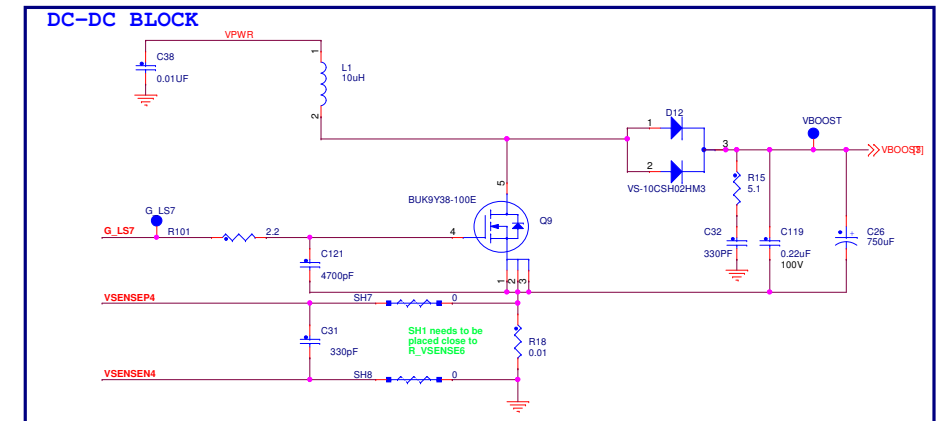
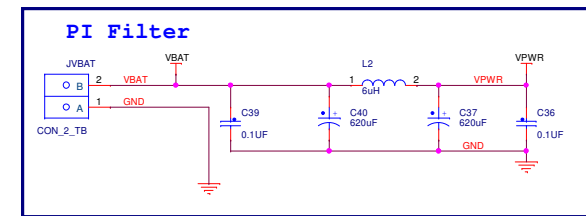
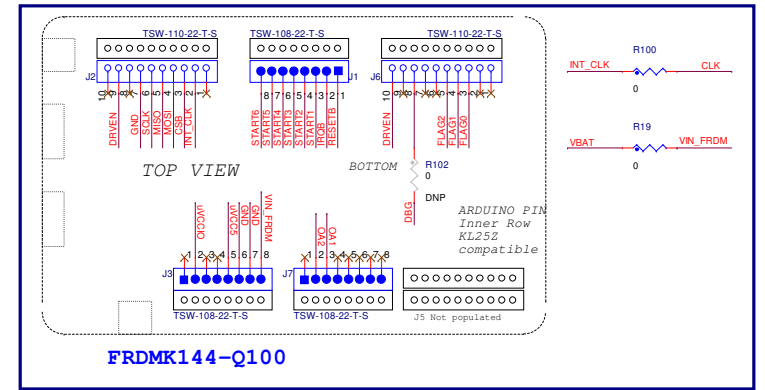
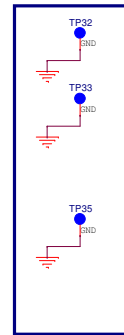
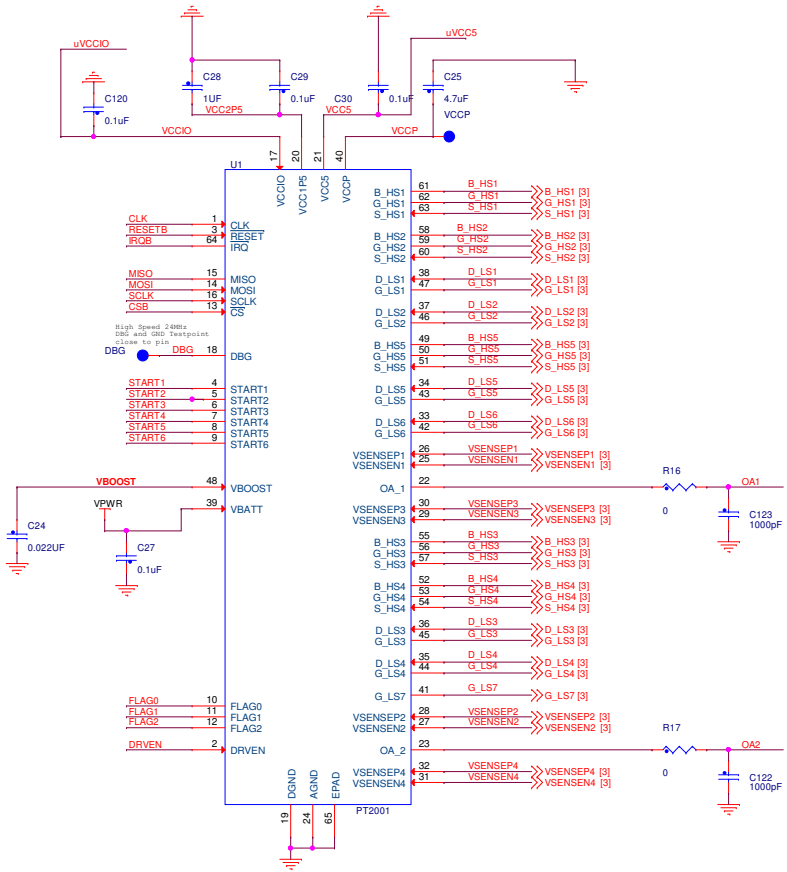
1	TITLE / TOC / REV
2	MC33PT2000
3	BANK

Revisions			
Rev	Description	Date	Approved
X1	Original Release	08-APR-16	Pierre Calmes
X2	Remove C_RES Add 'TEST' TP to J2 pin 10	27-JUL-16	Pierre Calmes
B	Proto Release	14-NOV-16	Pierre Calmes
C		04-APR-17	Pierre Calmes
D		10-OCT-17	Pierre Calmes

# X-FRDMPT2001EVM

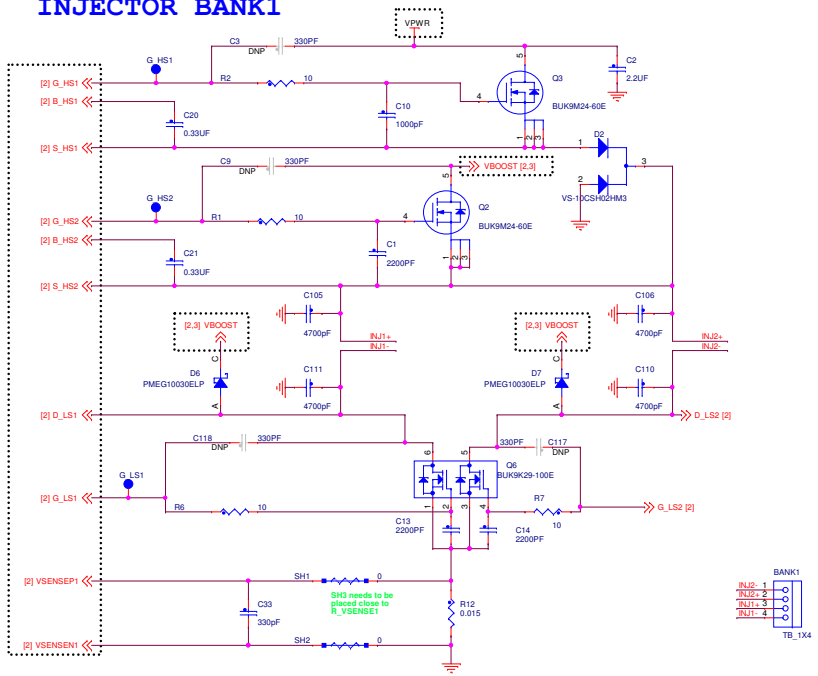
		<b>Analog Sensor Product Group</b> 6501 William Cannon Drive West Austin, TX 78735-8598	
		<small>This document contains information proprietary to NXP and shall not be used for engineering design, procurement or manufacture in whole or in part without the express written permission of NXP Semiconductors.</small>	
Designer: Pierre Calmes		Drawing Title: <b>X-FRDMPT2001EVM</b>	
Drawn by: Pierre Calmes		Page Title: <b>TITLE / TOC / REV</b>	
Approved: Pierre Calmes		Size C	Document Number SCH-29357 PDF: SPF-29357
Date: Tuesday, October 10, 2017		Sheet 1 of 3	Rev D

# MC33PT2001

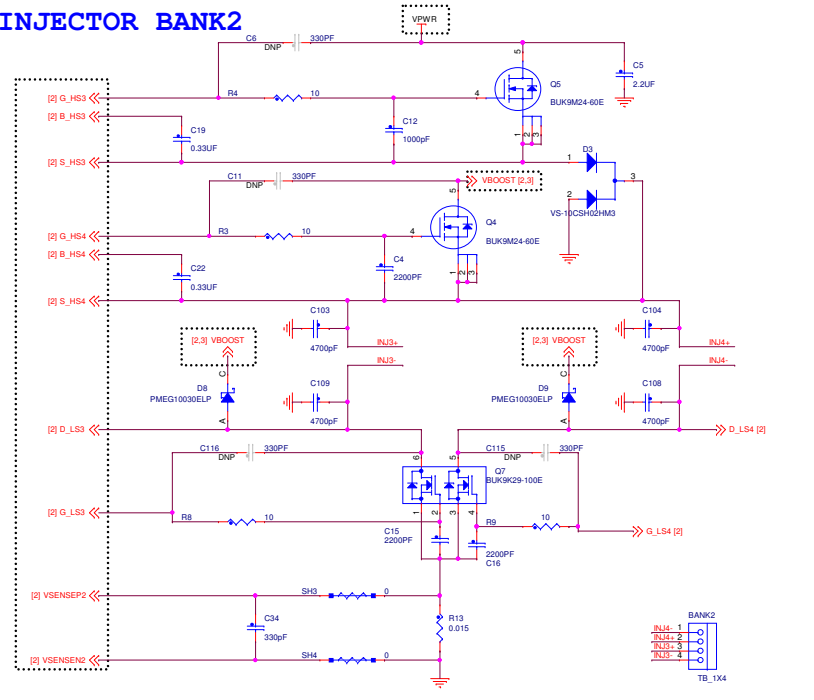


<b>NXP</b>			
ICAP Classification: CP: IUC: X PUB:			
Drawing Title: <b>X-FRDMPT2001EVM</b>			
Page Title: <b>MC33PT2000</b>			
Size Custom	Document Number SCH-29357 PDF: SPF-29357	Rev D	
Date: Tuesday, October 10, 2017 Sheet 2 of 3			

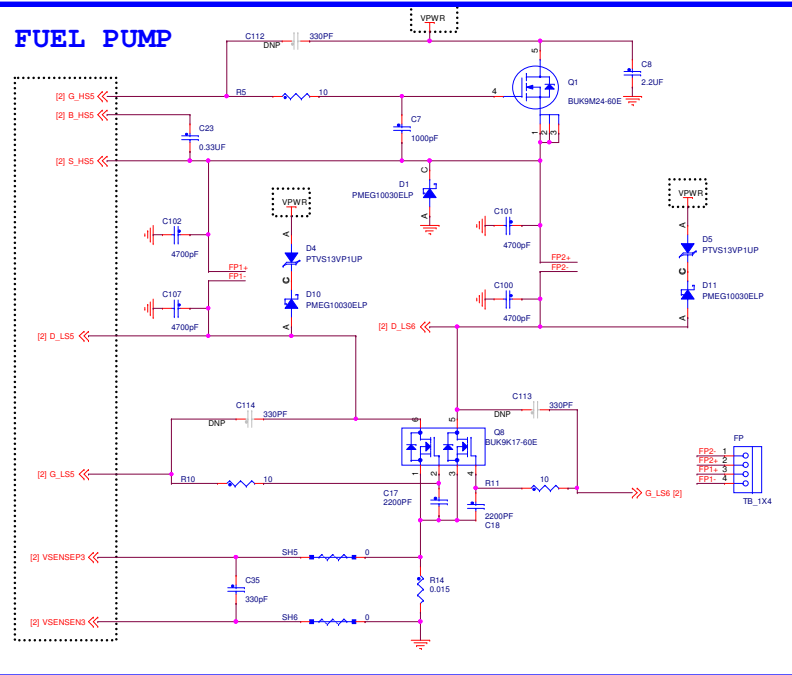
# INJECTOR BANK1



# INJECTOR BANK2



# FUEL PUMP



ICAP Classification:	CP:	I/O:	X	PUB:
Drawing Title:	<b>X-FRDMP2001EVM</b>			
Page Title:	<b>BANK</b>			
Site:	Customer:	Document Number:	SCH-29357 PDF:SPF-29357	Rev:
Date:	Wednesday, October 16, 2017	Sheet:	3	of 3