


**Table of Contents**

1	Title
2	MC33926

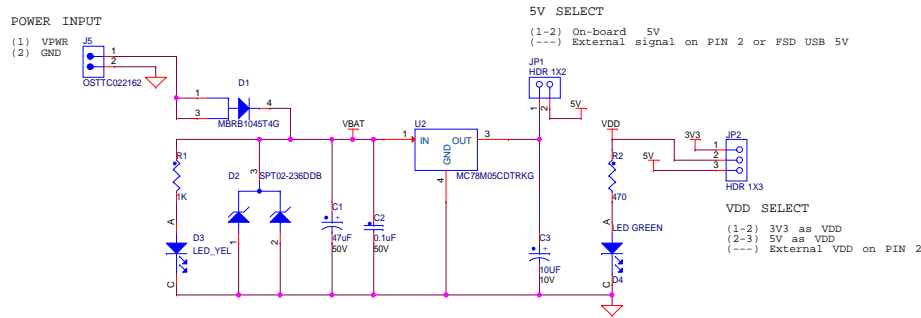
**Revisions**

Rev	Description	Date
A	Release	Aug 16, 17

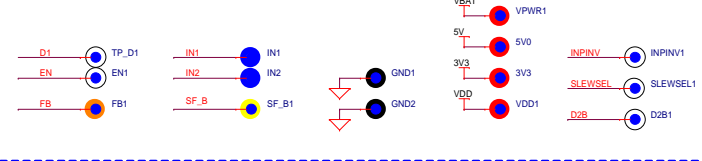
# FRDM33926PNBEVM

		<b>Automotive, Industrial &amp; Multi-market Solutions Group</b> 6501 William Cannon Drive West Austin, TX 78735-9550	
		<small>This document contains information proprietary to NXP and shall not be used for engineering design, procurement or manufacture in whole or in part without the express written permission of NXP Semiconductors.</small>	
Designer: Wayne Anderson		Drawing Title: <b>FRDM33926PNBEVM</b>	
Drawn by: Wayne Anderson		Page Title: <b>Title Page</b>	
Approved: Team	Size C	Document Number SCH-30006 PDF: SPF-30006	Rev A
Date: Wednesday, August 16, 2017		Sheet 1 of 2	

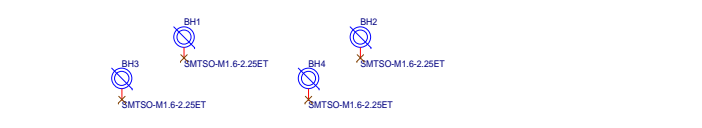
# POWER SUPPLY REGULATOR



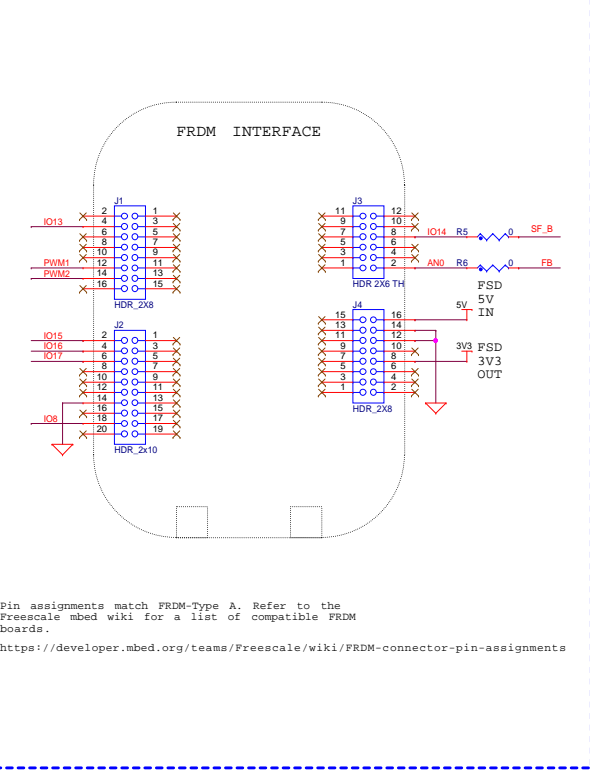
# TEST POINTS



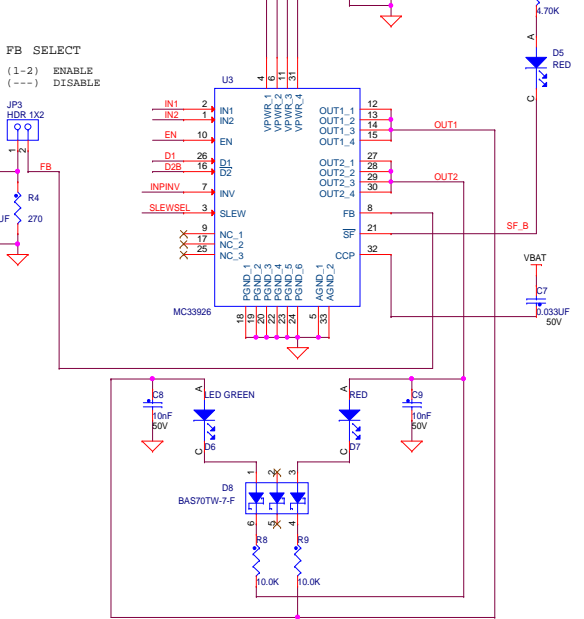
# MOUNTING HOLES



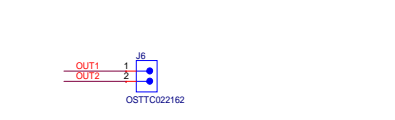
# MCU



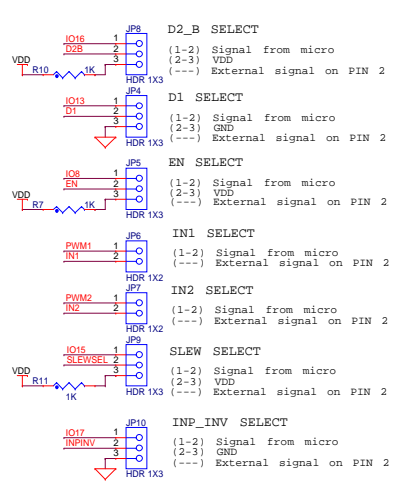
# MC33926PQFN



# CONNECTORS



# JUMPERS



**NXP**

ICAP Classification: CP: \_\_\_\_\_ I/O: X P/B: \_\_\_\_\_  
 Drawing Title: **FRDM33926PNBEVM**  
 Page Title: **MC33926 PQFN32**

Size C	Document Number	SCH-30006 PDF: SPF-30006	Rev A
Date:	Wednesday, August 16, 2017	Sheet 2 of 2	