


Table of Contents

1	TITLE, TOC & REV
2	PMIC
3	KL25, Connector, AMUX

Revisions

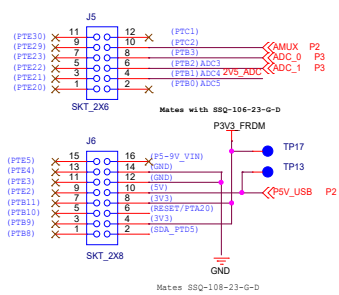
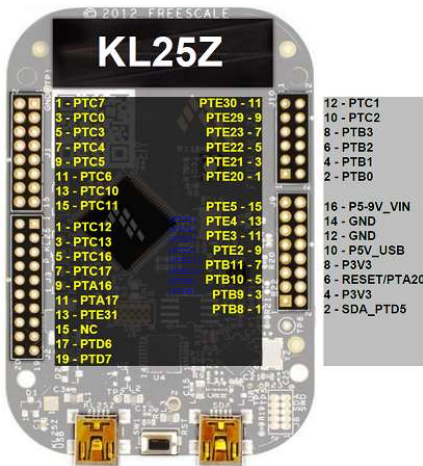
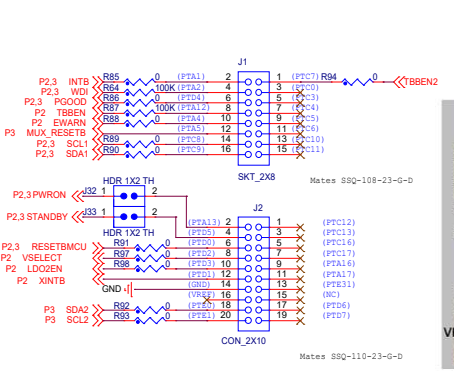
Rev	Description	Date	Approved
A	Initial schematic (Derivative from SCH-29723)	11-JUN-18	J. Romo
B	Replace R95 with a 2.2Mohm Resistor Mark R49, R55, R63, R62 as DNP Replace 4.7uF capacitor C45, C49, C55, C58, C57, C51, C46 (from 150-79693 to 150-79698) Replace red LED D2 from 370-76647 to 370-76617	1-JUL-19	Joaquin Romo

KITPF8100FRDMEVM

		Analog Sensor Product Group 6501 William Cannon Drive West Austin, TX 78735-8568	
<small>This document contains information proprietary to NXP and shall not be used for engineering design, procurement or manufacture in whole or in part without the express written permission of NXP Semiconductors.</small>			
<small>ICAP Classification: CP: IJO: PUB: X</small>			
Designer: Romo J.	Drawing Title: KITPF8100FRDMEVM		
Drawn by: Romo J.	Page Title: TITLE		
Approved: Sakui Y.	Size C	Document Number SCH-32204 PDF: SFF-32204	Rev B
<small>Date: Monday, July 01, 2019 Sheet 1 of 3</small>			

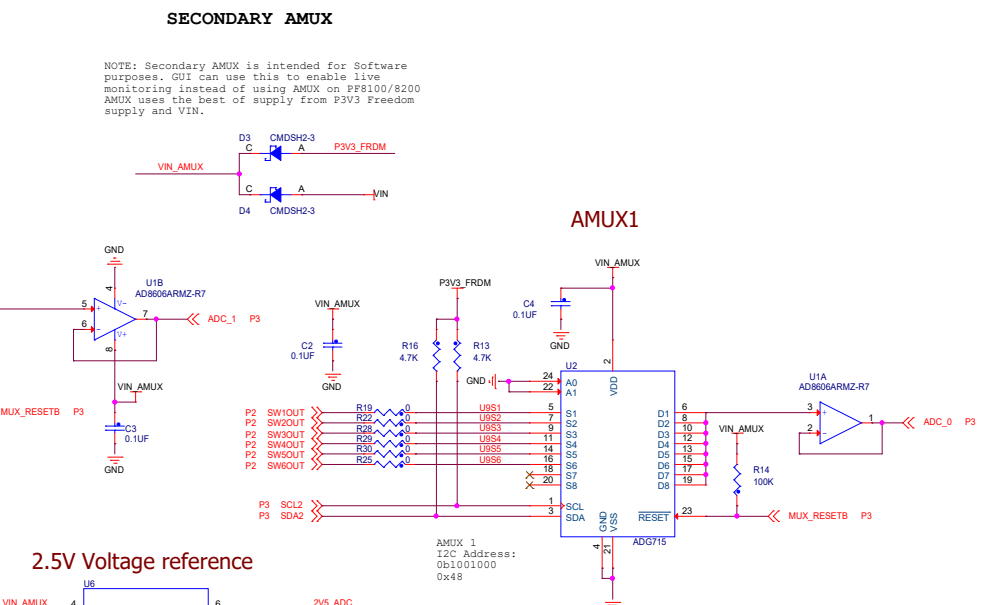
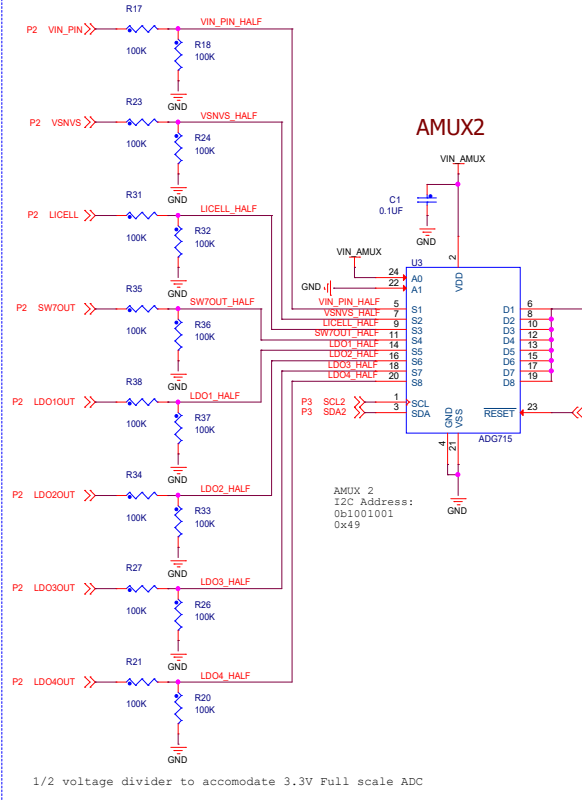
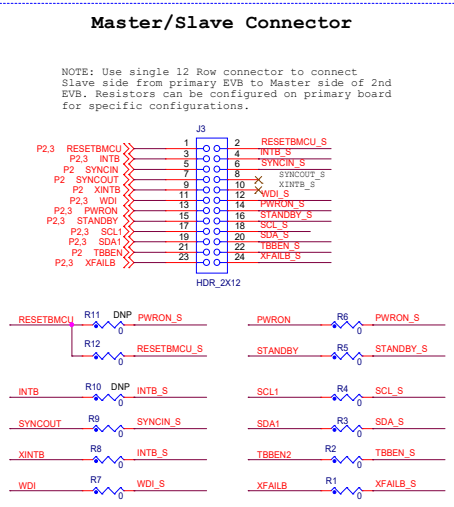
KL25Z INTERFACE

VOLTAGE SENSE



Populate the following connectors on the Freedom board (female with long pins, low insertion):
 SSQ-106-23-G-D / 210-80515
 SSQ-110-23-G-D / 210-80513
 SSQ-108-23-G-D (x2) / 210-80247

RAIL	VOLTAGE RANGE	AMUX/CHANNEL
SW1	0.4V to 1.8V, 2500mA	AMUX 1/CH 1
SW2	0.4V to 1.8V, 2500mA	AMUX 1/CH 2
SW3	0.4V to 1.8V, 2500mA	AMUX 1/CH 3
SW4	0.4V to 1.8V, 2500mA	AMUX 1/CH 4
SW5	0.4V to 1.8V, 2500mA	AMUX 1/CH 5
SW6	0.4V to 1.8V, 2500mA	AMUX 1/CH 6
RESERVED		AMUX 1/CH 7
RESERVED		AMUX 1/CH 8
VIN	2.7V to 5.5V	AMUX 2/CH 1
VSNVS	1.8V, 3.0V, 3.3V, 10mA	AMUX 2/CH 2
LICELL	1.8V, 3.0V, 3.3V, 10mA	AMUX 2/CH 3
SW7	1.2V to 4.5V, 2500mA	AMUX 2/CH 4
LDO1	1.5V to 5V, 400mA	AMUX 2/CH 5
LDO2	1.5V to 5V, 400mA	AMUX 2/CH 6
LDO3	1.5V to 5V, 400mA	AMUX 2/CH 7
LDO4	1.5V to 5V, 400mA	AMUX 2/CH 8



NXP

ICAP Classification: CP: IUC: PUB: X
 Drawing Title: **KITPF8100FRDMEVM**
 Page Title: **KL25Z I/O, Connector, AMUX**
 Size C Document Number SCH-32204 PDF: SPF-32204 Rev B
 Date: Monday, July 01, 2019 Sheet 3 of 3