


1	Title Page
2	Title page
3	Notes
4	MCU
5	Isolated JTAG port
6	Analog
7	Power & Connector

Revisions			
Rev	Description	Date	Approved
A	Initial release	7-March-19	Sutter Zhou

		Microcontroller Product Group 6501 William Cannon Drive West Austin, TX 78735-8598	
This document contains information proprietary to NXP and shall not be used for engineering design, procurement or manufacture in whole or in part without the express written permission of NXP Semiconductors.			
ICAP Classification: CP: IUO: X PUBL:			
Designer: Sutter Zhou	Drawing Title: HVP-56F83783		
Drawn by: Sutter Zhou	Page Title: Title Page		
Approved: <Approver>	Size A4	Document Number SCH-45655, PDF: SPF-45655	Rev A
Date:	Wednesday, April 03, 2019	Sheet	1 of 6

NOTES:



Microcontroller Product Group

6501 William Cannon Drive West
Austin, TX 78735-8598

This document contains information proprietary to NXP and shall not be used for engineering design, procurement or manufacture in whole or in part without the express written permission of NXP Semiconductors.

ICAP Classification: CP: IUO: X PUBL:

Designer:
Sutter Zhou

Drawing Title:
HVP-56F83783

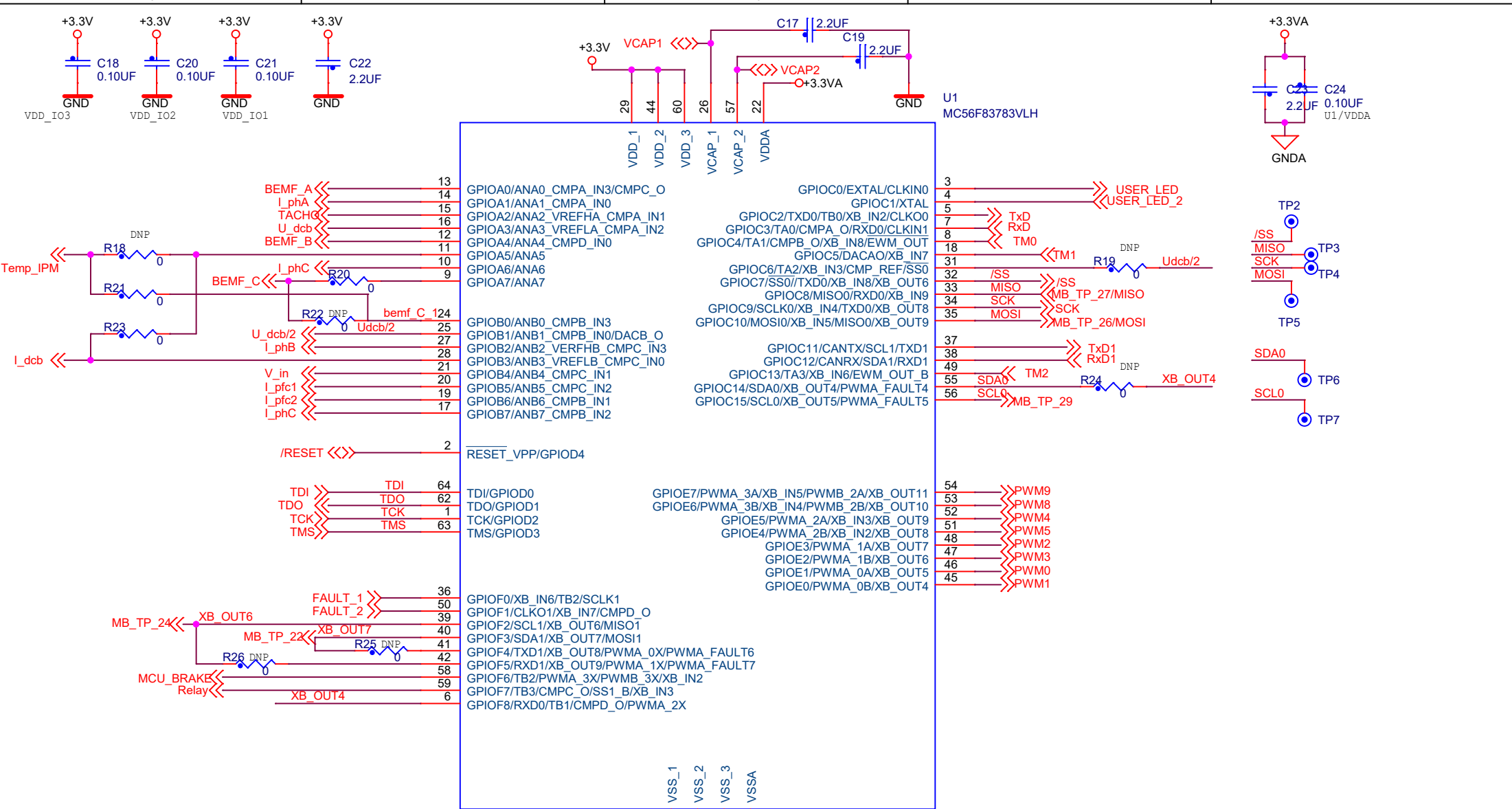
Drawn by:
Sutter Zhou


Page Title:
Title Page

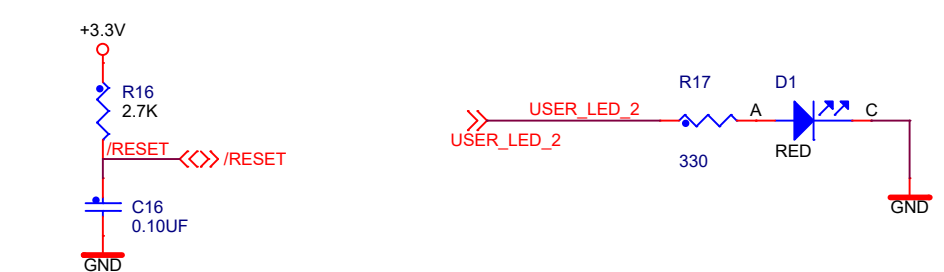
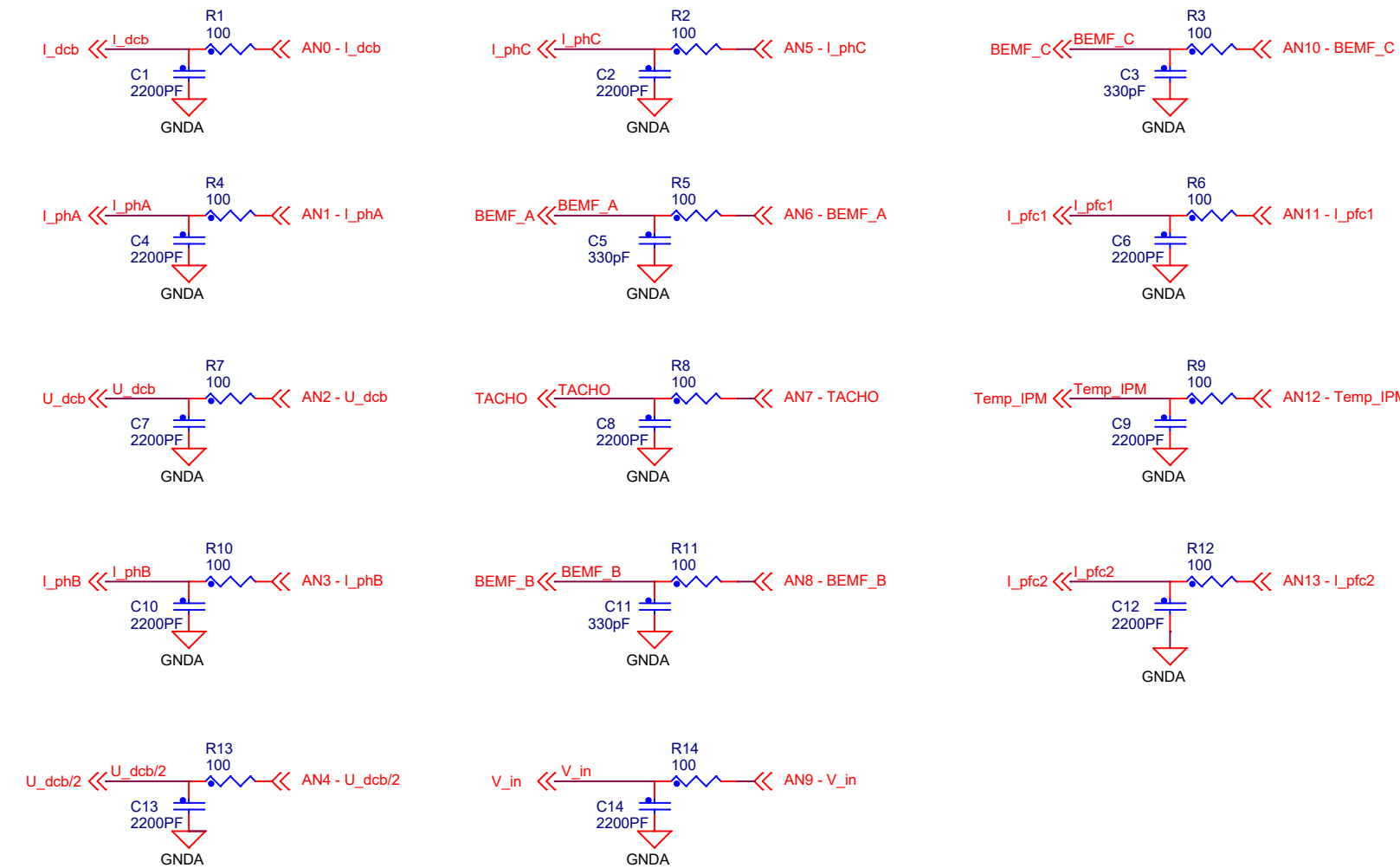
Approved:
<Approver>

Size A4 Document Number SCH-45655, PDF: SPF-45655

Rev A



		Microcontroller Product Group 6501 William Cannon Drive West Austin, TX 78735-8598		
		This document contains information proprietary to NXP and shall not be used for engineering design, procurement or manufacture in whole or in part without the express written permission of NXP Semiconductors.		
ICAP Classification:		CP:	IUO: X	PUBI:
Designer: Sutter Zhou	Drawing Title: HVP-56F83783			
Drawn by: Sutter Zhou	Page Title: MCU			
Approved: <Approver>	Size A4	Document Number SCH-45655, PDF: SPF-45655		Rev A
Date:	Monday, April 08, 2019	Sheet	3	of 6

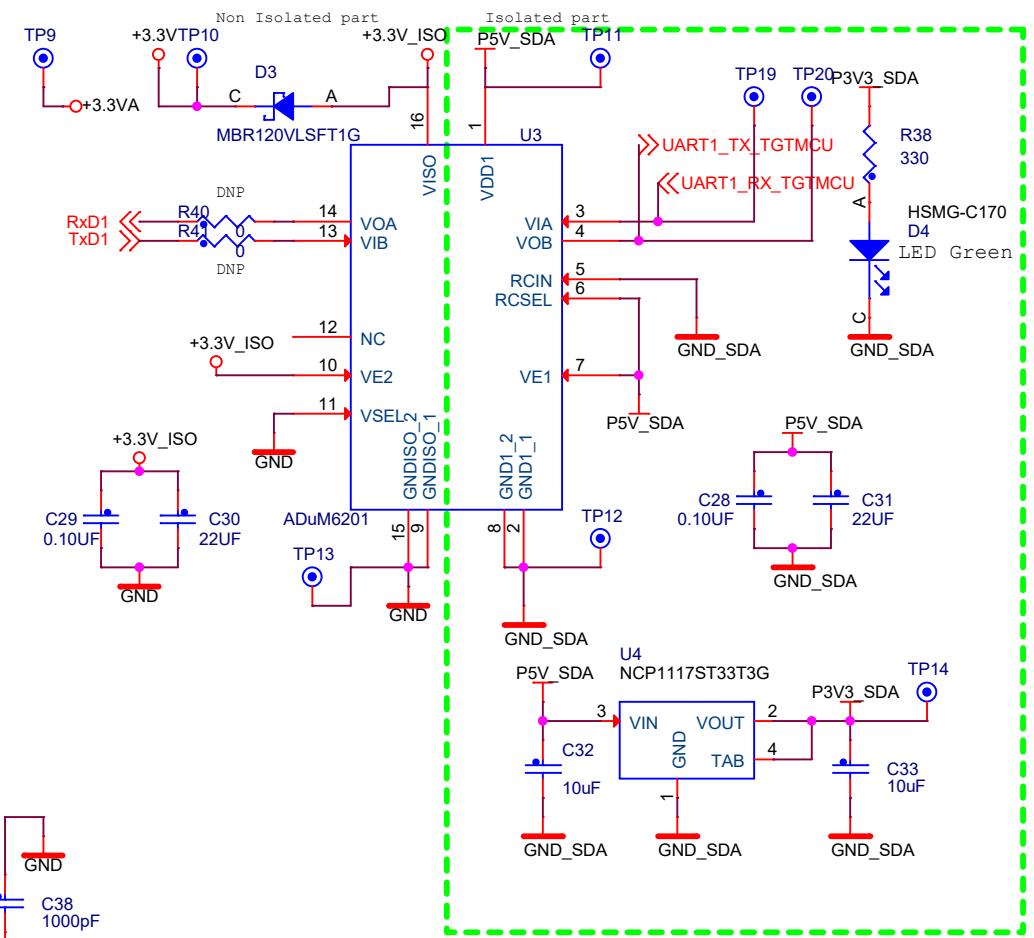
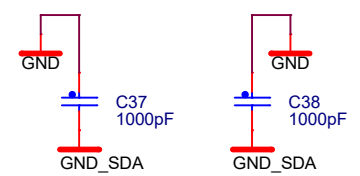
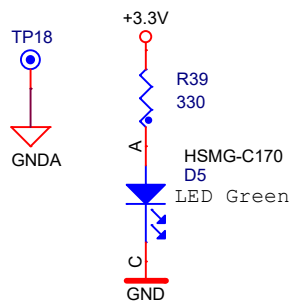
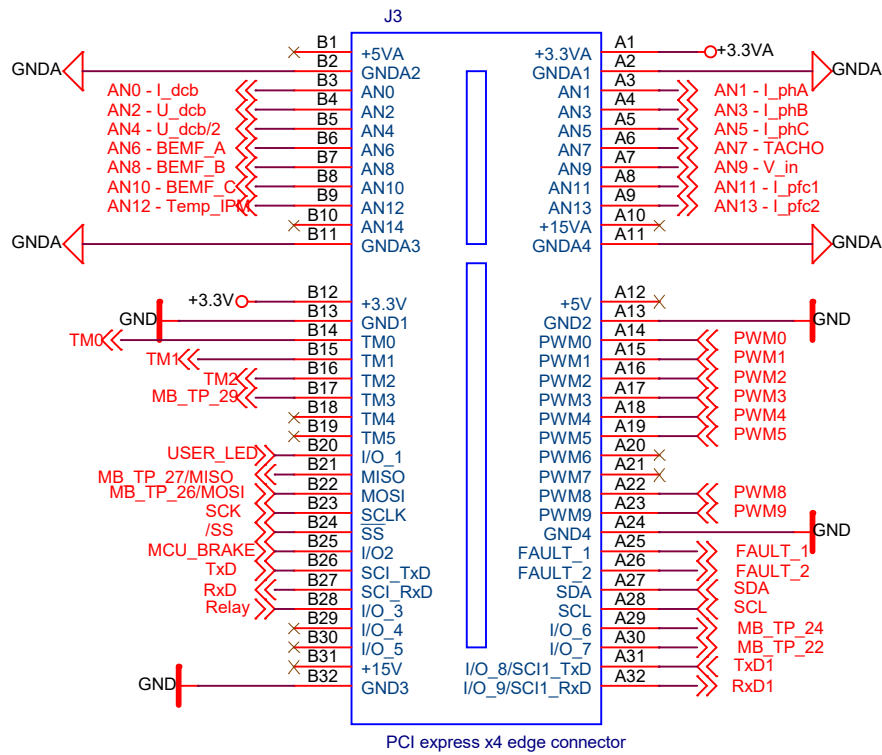


Microcontroller Product Group
 6501 William Cannon Drive West
 Austin, TX 78735-8598

This document contains information proprietary to NXP and shall not be used for engineering design, procurement or manufacture in whole or in part without the express written permission of NXP Semiconductors.

ICAP Classification: CP: IUO: X PUBL:

Designer: Sutter Zhou	Drawing Title: HVP-56F83783		
Drawn by: Sutter Zhou	Page Title: Analog		
Approved: <Approver>	Size A4	Document Number SCH-45655, PDF: SPF-45655	Rev A
Date: Monday, April 08, 2019	Sheet 5	of	6



		Microcontroller Product Group	
6501 William Cannon Drive West Austin, TX 78735-8598			
This document contains information proprietary to NXP and shall not be used for engineering design, procurement or manufacture in whole or in part without the express written permission of NXP Semiconductors.			
ICAP Classification:		CP:	IUO: X PUBL:
Designer: Sutter Zhou	Drawing Title: HVP-56F83783		
Drawn by: Sutter Zhou	Page Title: Power & Connector		
Approved: <Approver>	Size A4	Document Number SCH-45655, PDF: SPF-45655	Rev A
Date:	Monday, April 08, 2019	Sheet 6 of 6	